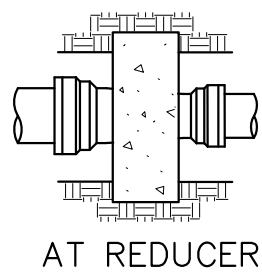
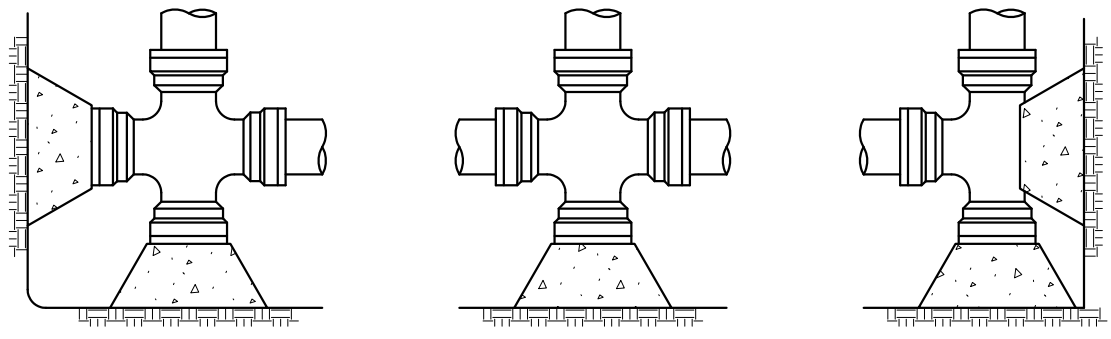
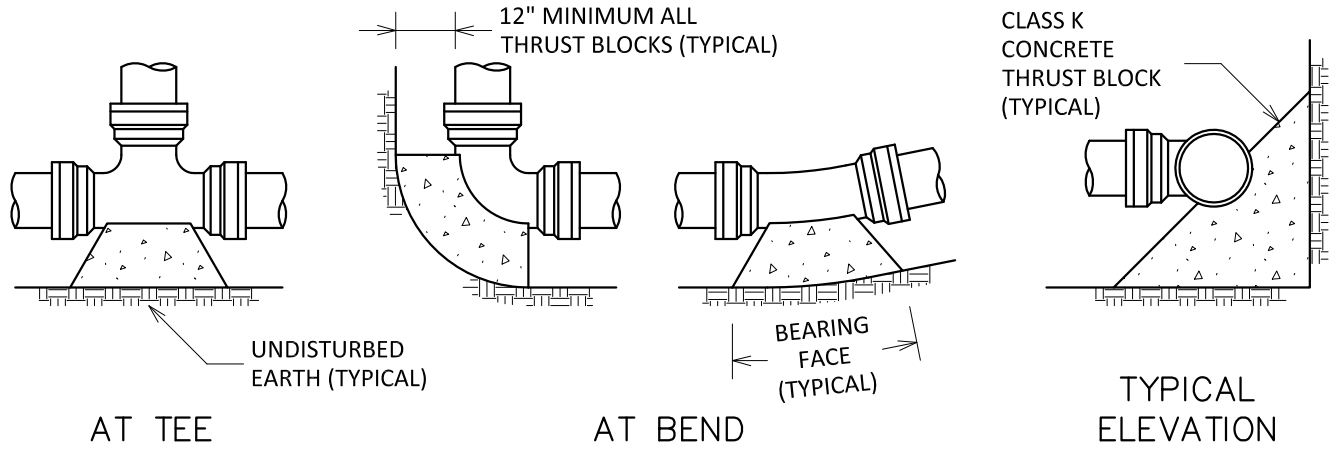


AREA OF BEARING FACE OF THRUST BLOCK IN SQUARE FEET (AREA BASED ON INTERNAL PRESSURE OF 250 PSIG AND SOIL BEARING PRESSURE OF 2000 PSF) (SEE NOTE 1)							
PIPE SIZE	BEND				TEE PLUG	REDUCER	
	90°	45°	22-1/2°	11-1/4°		SIZE	AREA
4" - 6"	7	4	2	1	5	6" x 4"	3
8"	12	7	4	2	8	8" x 6"	3.5
12"	25	14	7	4	18	12" x 8"	9.5



NOTES:

1. SPECIAL DESIGN IS REQUIRED FOR FITTINGS ON HOLLY WATER MAIN PIPE LARGER THAN 12 INCHES.
2. THRUST BLOCK IS TO BE POURED AGAINST UNDISTURBED EARTH. WIDTH OF THRUST BLOCK SHOULD BE APPROXIMATELY TWICE HEIGHT.
3. THRUST BLOCK IS TO BE INSTALLED AT ALL BENDS, TEES, AND TAPPING SLEEVE AND VALVE CONNECTIONS.
4. FACTORY CAST OFFSETS ARE TO BE TREATED AS (2) 45 DEGREE BENDS.
5. FOR REDUCERS, THRUST BLOCK IS TO BE KEYED INTO WALLS AND BOTTOM OF TRENCH.
6. MECHANICAL RESTRAINT IS REQUIRED IN ADDITION TO THRUST BLOCK, SEE DETAIL S900-8.
7. WOOD BLOCKING IS NOT PERMITTED.

CITY OF ROCHESTER		
HORIZONTAL THRUST BLOCK HOLLY SYSTEM		
ISSUED	6-1-09	NON-STANDARD DWG.NO.S900-9
REVISED	8-7-13	