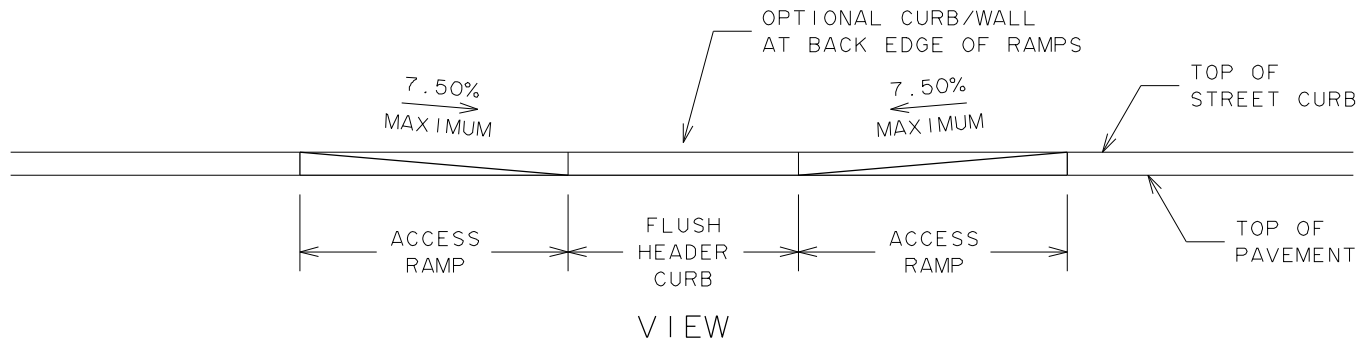
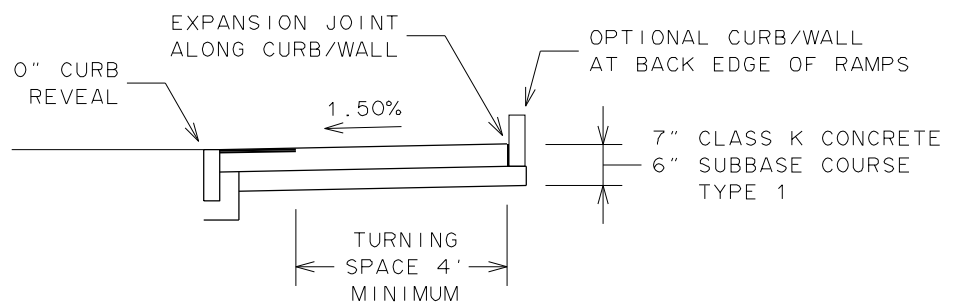


ACCESS RAMP TYPE C



VIEW



SECTION

NOTES:

1. MINIMUM WIDTH OF ACCESS RAMPS AND TURNING SPACE IS 4 FEET.
2. SURFACE OF ACCESS RAMP TO BE FIRM, STABLE AND SLIP-RESISTANT. TEXTURE SURFACE WITH COARSE BROOM RUNNING TRANSVERSE TO SLOPE OF ACCESS RAMP.
3. ENTIRE AREA OF ACCESS RAMPS AND TURNING SPACE TO BE 7 INCH THICK CONCRETE.

CITY OF ROCHESTER		
<b>SIDEWALK ACCESS RAMP TYPE C</b>		
ISSUED	9-2-91	STANDARD
REVISED	7-1-17	DWG.NO.R608-3