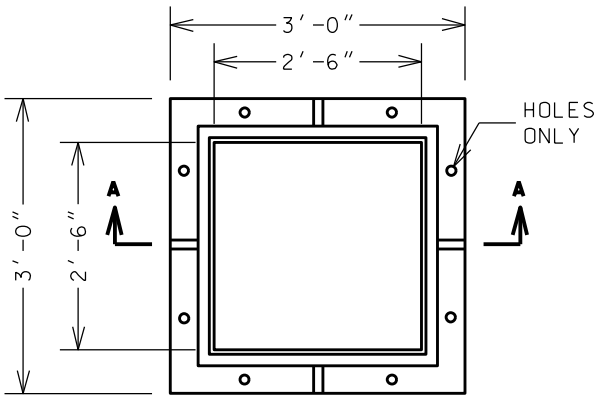
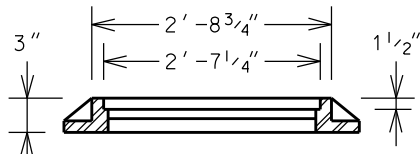


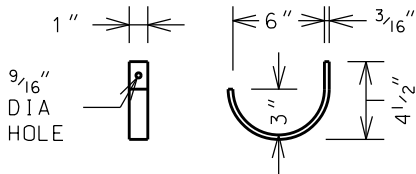
**CAST IRON COVER**  
WEIGHT OF COVER 220 POUNDS



**CAST IRON FRAME**  
WEIGHT OF FRAME 145 POUNDS



**SECTION A-A**



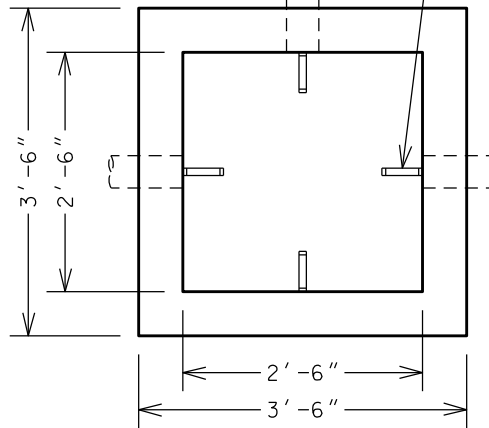
**STEEL CABLE BRACKET SUPPORT**  
HOT DIPPED GALVANIZED

**NOTES:**

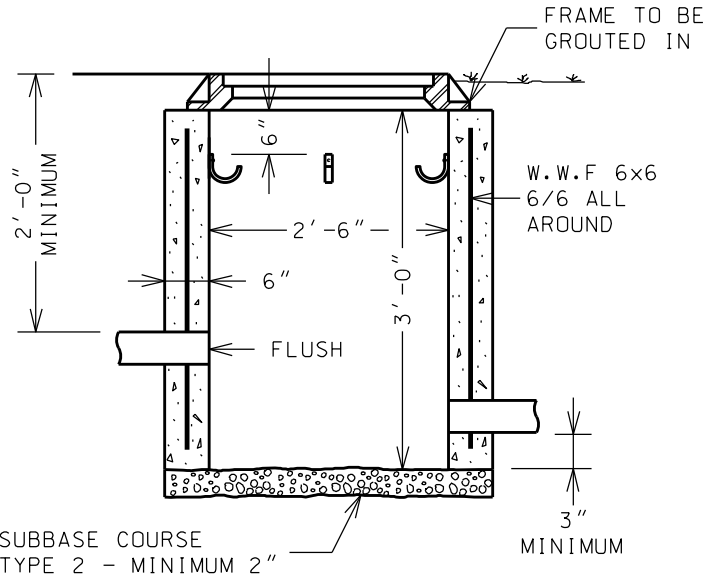
1. PULLBOX IS TO BE MADE OF CAST-IN-PLACE OR PRECAST CLASS K CONCRETE.
2. FRAME AND COVER ARE TO BE GRAY CAST IRON PER ASTM A48 CLASS 30 IN CONFORMANCE WITH THE REQUIREMENTS OF NYS DOT SECTION 715-05.
3. SIZE OF LETTERS TO BE 2 INCH.
4. TOP OF PULLBOX TO BE SET FLUSH IN PAVED AREA AND 1 INCH ABOVE GRADE IN LAWN AREA.

CONDUIT MAY ENTER PULLBOX AT ANY ANGLE OR LOCATION - MINIMUM 3" FROM BOTTOM

CABLE BRACKET SUPPORT - ONE EACH SIDE



**PULLBOX PLAN**



**PULLBOX SECTION**

CITY OF ROCHESTER		
<b>CONCRETE PULLBOX (30 INCH)</b>		
ISSUED	9-2-91	STD. DWG.
REVISED	4-28-06	NO. R671-3