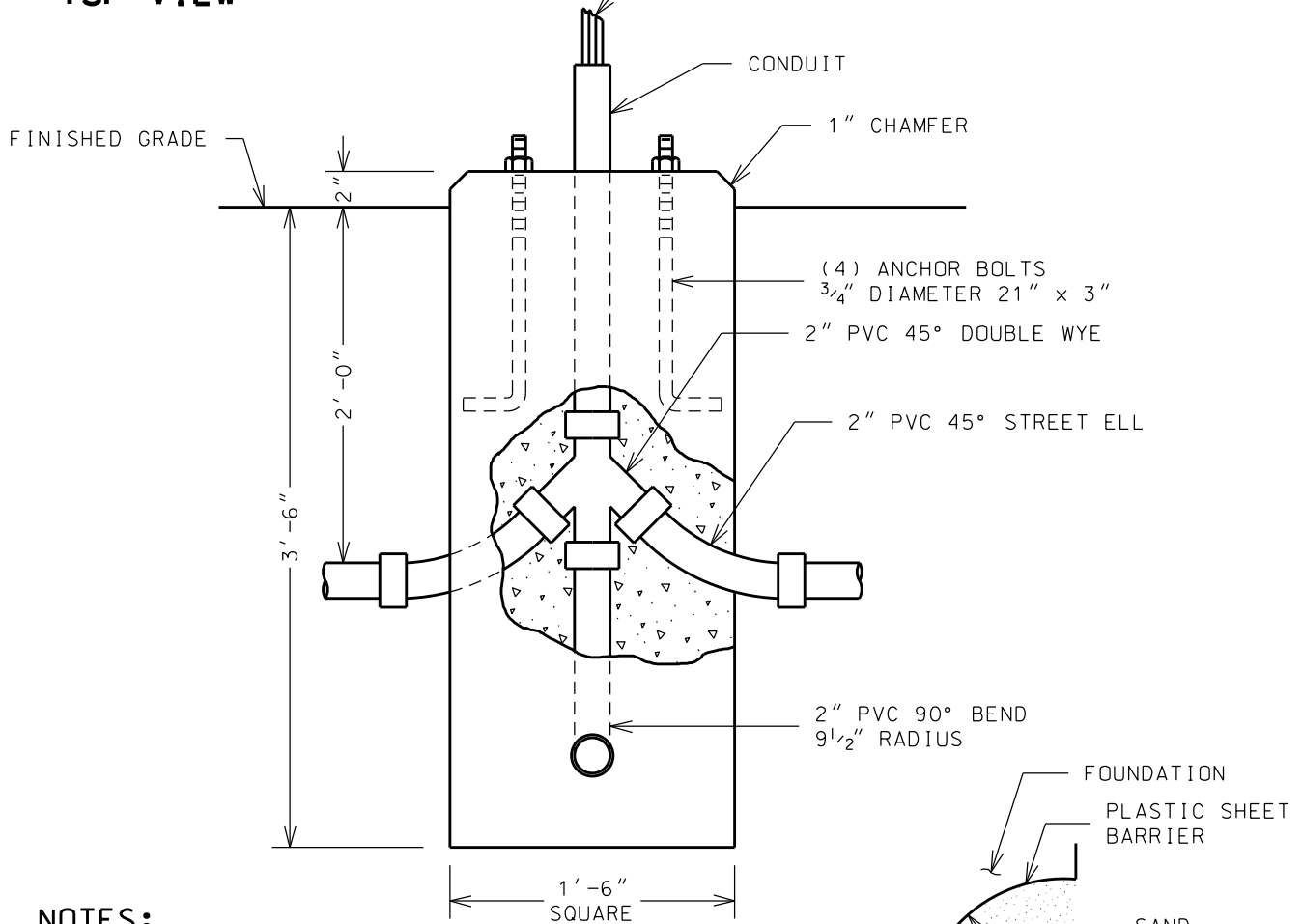


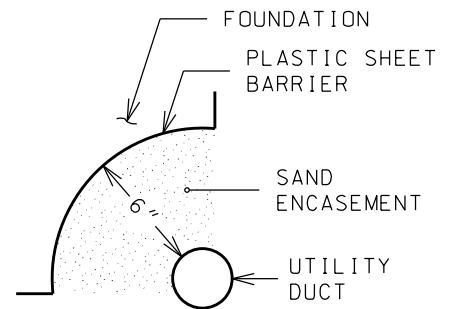
TOP VIEW

NO.6 AWG TYPE THWN CONDUCTORS COLOR CODED RED-BLACK-WHITE TO EXTEND 1'-6" ABOVE TOP OF FOUNDATION - ALL SPLICES ARE TO BE MADE AT POLE BASE



NOTES:

1. FOUNDATION TO BE MADE OF CLASS K CONCRETE. TOP OF FOUNDATION TO BE 2 INCHES ABOVE FINISHED GRADE.
2. TOP OF ANCHOR BOLTS TO EXTEND 2 INCHES ABOVE TOP OF FOUNDATION.
3. TOP OF CONDUIT TO EXTEND 6 INCHES ABOVE TOP OF FOUNDATION.
4. ALL CONDUIT CONNECTIONS IN FOUNDATION TO HAVE DOUBLE WYE TYPE OPENING.
5. SUPPLY TWO NEW LEVELING SHIMS FOR EACH EXISTING ANCHOR BOLT FOR LEVELING BASE PLATE AND TO PLUMB POLE.
6. "SONOTUBES" ARE NOT ALLOWED FOR FORMING OF FOUNDATION, UNLESS OTHERWISE SPECIFICALLY APPROVED FOR USE BY THE CITY.



UTILITY CONFLICT

| | | |
|---|---------|------------|
| CITY OF ROCHESTER | | |
| FIBERGLASS POLE CAST-IN-PLACE FOUNDATION | | |
| ISSUED | 9-2-91 | STD. DWG. |
| REVISED | 4-28-06 | NO. R671-8 |