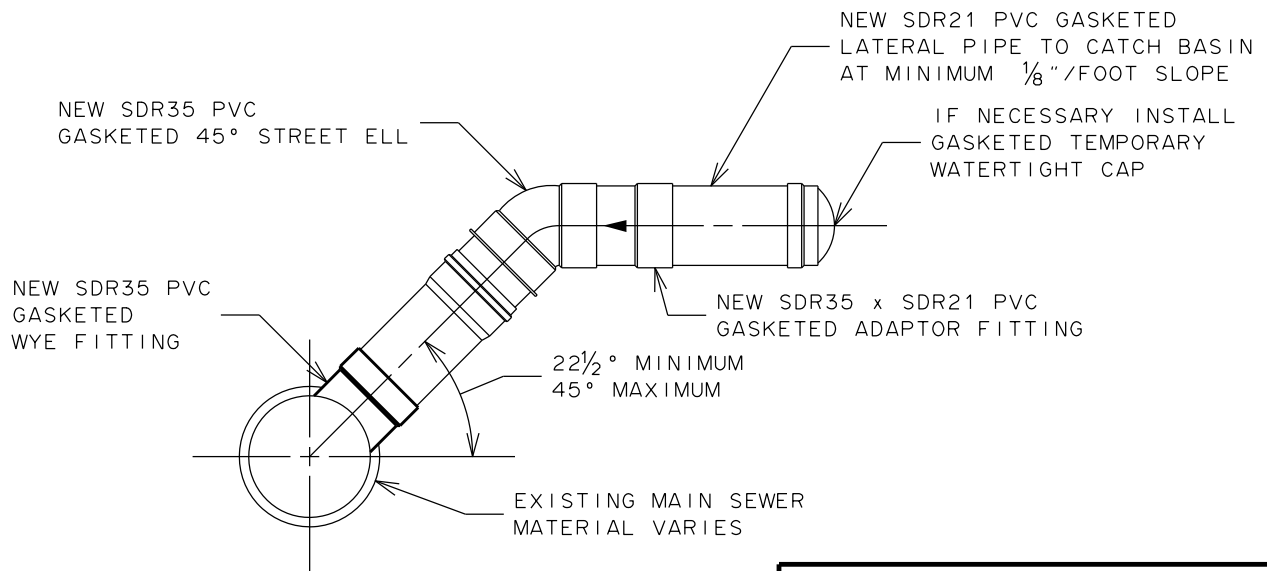


PLAN



ELEVATION

NOTE :

ALL SEWER AND LATERAL PIPE AND FITTINGS ARE TO BE GASKETED TYPE. SOLVENT WELD JOINTS ARE NOT ALLOWED.

CITY OF ROCHESTER		
PVC WYE CONNECTION TO EXISTING SEWER		
ISSUED	10-18-02	NON-STANDARD DWG.NO.S60I-7
REVISED	7-31-12	