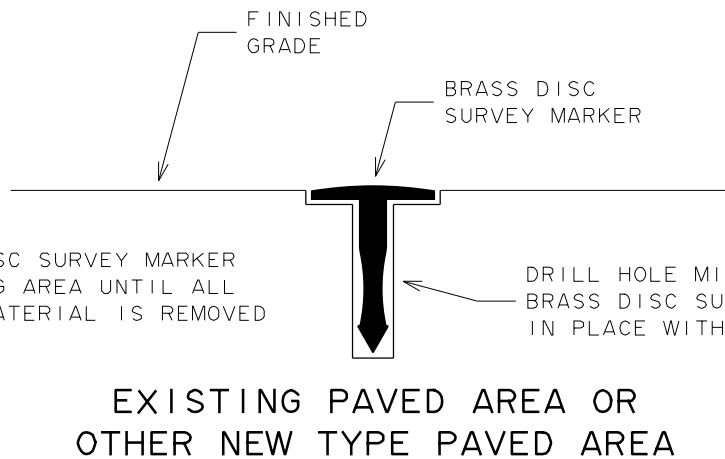


NOTE:  
 INSTALL BRASS DISC SURVEY MARKER WHILE CONCRETE OR ASPHALT HAS NOT FULLY SET-UP AND IS STILL WORKABLE



NOTE:  
 CLEAN BRASS DISC SURVEY MARKER AND SURROUNDING AREA UNTIL ALL EXCESS GROUT MATERIAL IS REMOVED

DRILL HOLE MINIMUM 1/8" LARGER THAN BRASS DISC SURVEY MARKER AND INFIX IN PLACE WITH NON-SHRINK GROUT

NOTES:

1. BRASS DISC SURVEY MARKER WILL BE FURNISHED BY MAPS AND SURVEYS OFFICE, AND USED ONLY WITH PRIOR WRITTEN APPROVAL OF MAPS AND SURVEYS OFFICE.
2. BRASS DISC SURVEY MARKER TO BE EMBEDDED AND RECESSED UNTIL ONLY TOP OF DOME IS ABOVE GRADE AND FULLY EXPOSED.
3. THEORETICAL POSITION OF SURVEY MONUMENT LINE INTERSECTION IS TO BE SET ON TOP OF BRASS DISC SURVEY MARKER WITH PUNCH MARK AND CROSS.

CITY OF ROCHESTER		
BRASS DISC SURVEY MARKER		
ISSUED	2-10-00	NON-STANDARD DWG.NO.S626-4
REVISED	1-1-17	