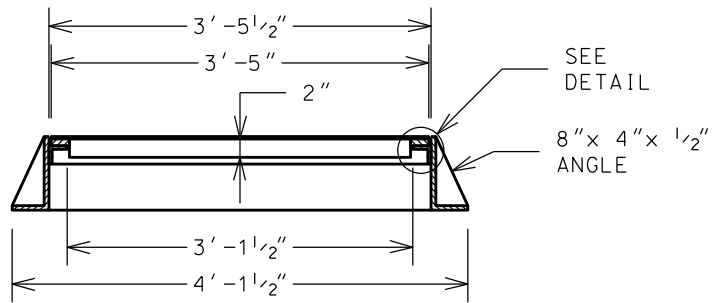
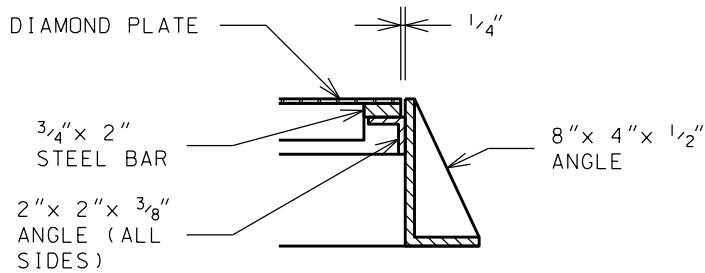


**SECTION A-A**



**SECTION B-B**



**DETAIL**

**NOTE:**

SEE NON-STANDARD DWG S655-4 FOR PLAN AND FRONT VIEWS

CITY OF ROCHESTER		
CATCH BASIN TYPE D FRAME AND COVER SECTIONS		
ISSUED	12-4-97	NON-STANDARD DWG.NO.S655-5
REVISED	8-2-05	