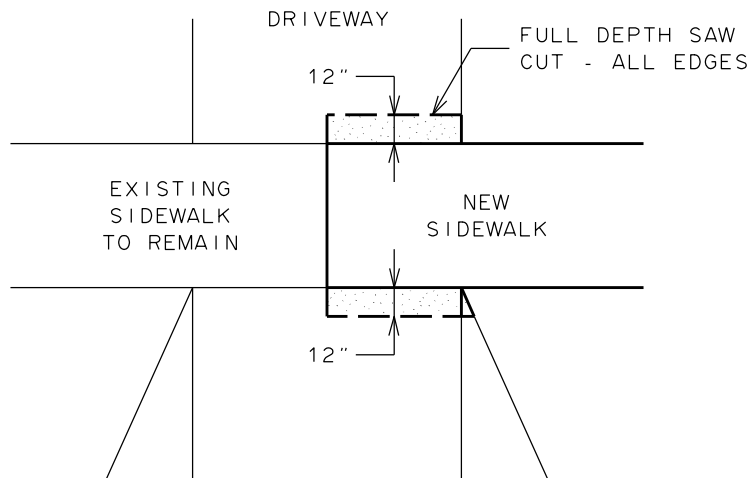


FULL SIDEWALK REPLACEMENT



PARTIAL SIDEWALK REPLACEMENT

NOTES:

1. SAW CUTS ARE TO BE MADE USING POWER SAW WITH DIAMOND OR ABRASIVE BLADE AND ARE TO BE STRAIGHT.
2. REMOVE EXISTING PAVEMENT AS REQUIRED AND REPLACE WITH NEW PAVEMENT MATERIALS MATCHING EXISTING.
3. FINISHED SURFACE OF DRIVEWAY IS TO BE FLUSH WITH ADJACENT SURFACES.
4. JOINTS ARE TO BE SEALED WITH ASPHALT FILLER MEETING NYSDOT MATERIAL DESIGNATION 702-0700.

CITY OF ROCHESTER		
DRIVEWAY RESTORATION AT NEW SIDEWALK		
ISSUED	3-8-94	NON-STANDARD DWG.NO.S608-II
REVISED	6-30-12	