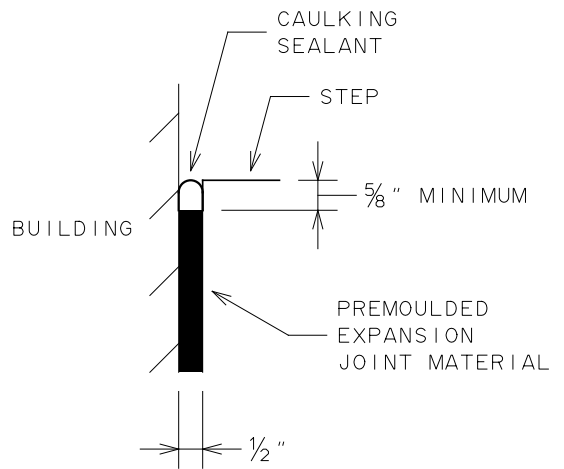


NOTES:

1. STEPS TO BE CLASS D CONCRETE.
2. HANDRAIL TO BE PROVIDED ON BOTH SIDES OF STAIRWAY, HANDRAIL EXTENSIONS ARE NOT TO PROTRUDE INTO USABLE ACCESSIBLE WIDTH OF ADJOINING SIDEWALK.
3. MINIMUM CLEAR SPACE BETWEEN INSIDE OF HANDRAILS IS TO BE 3 FEET FOR 1 AND 2 FAMILY RESIDENCES, 4 FEET FOR BUILDINGS OTHER THAN 1 AND 2 FAMILY RESIDENCES.
4. STAIRWAY TO HAVE MINIMUM OF 3 STEPS, WITH RISERS AND TREADS BEING OF UNIFORM SIZE AND SHAPE. ADJUST RISER/TREAD DIMENSIONS TO PROVIDE FOR STAIRWAY WITH MINIMUM OF 3 STEPS, OR ELIMINATE NEED FOR STEPS BY ADJUSTING ELEVATION OF SURROUNDING AREA, OR EXTENDING OVERALL REPLACEMENT LIMITS.
5. RISER HEIGHT/TREAD WIDTH RATIO TO BE PER TABLE. TOLERANCE BETWEEN LARGEST AND SMALLEST RISER/TREAD IS NOT TO EXCEED 3/8 INCH IN ANY SET OF STEPS.
6. ROUND OR CHAMFER ALL EDGES WITH 1/2 INCH RADIUS.
7. BROOM FINISH ALL SURFACES TRANSVERSELY TO FLOW OF PEDESTRIAN TRAFFIC.
8. TOP AND BOTTOM STEPS TO HAVE 2 INCH WIDE NON-SLIP VISUAL CONTRAST STRIP ACROSS LEADING EDGE OF STEP. STRIP TO BE SHADED TO PROVIDE LIGHT-ON-DARK/DARK-ON-LIGHT CONTRAST WITH UNDERLYING STEP.
9. SEE DETAIL S615-4 FOR HANDRAIL.



**DETAIL
EXPANSION
JOINT**

RECOMMENDED RISER/TREAD RATIO	
RISER HEIGHT (INCHES)	TREAD WIDTH (INCHES)
7"	12"
6"	14"
5"	15"
4½"	17"

CITY OF ROCHESTER		
CONCRETE STEP AT BUILDING		
ISSUED	5-31-12	NON-STANDARD DWG.NO.S608-35
REVISED	5-15-20	