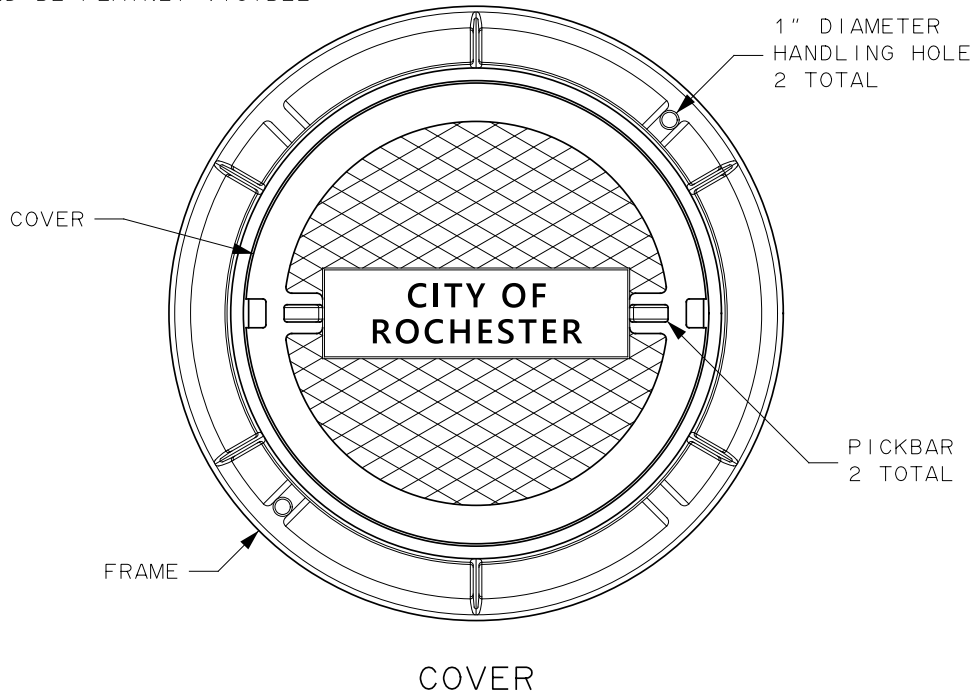
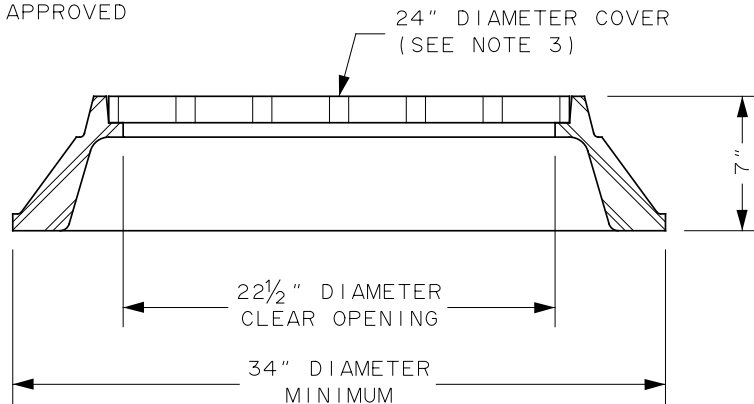


COVER 24" DIAMETER x 1-3/8" THICK  
 IN ACCORDANCE WITH EJ CO. #1310A  
 CAST IRON COVER OR APPROVED EQUIVALENT  
 LETTERS ARE TO BE FLAT FACE GOTHIC AT  
 LEAST 1-1/4" TALL AND ARE TO BE CAST  
 INTO COVER AND BE PLAINLY VISIBLE



STANDARD CAST IRON FRAME SET ON  
 MORTAR LEVELING COURSE  
 FRAME IS TO BE IN ACCORDANCE WITH  
 EJ CO.#1310Z FRAME OR APPROVED  
 EQUIVALENT



FRAME

NOTES :

1. CASTINGS ARE TO BE RATED HEAVY-DUTY AND DESIGNED FOR AASHTO H-20-44 HIGHWAY LOADING PLUS 30% IMPACT MINIMUM.
2. FRAME AND COVER ARE TO BE CAST IRON, MADE OF TOUGH CLOSE-GRAINED GRAY IRON WITHOUT ADMIXTURE OF ANY CINDER IRON OR METAL OF INFERIOR QUALITY, IN ACCORDANCE WITH ASTM A48 CLASS 35B.
3. 30 INCH DIAMETER COVER MAY NOT BE SUBSTITUTED FOR 24 INCH DIAMETER COVER.

CITY OF ROCHESTER		
FIBER OPTIC PULLBOX FRAME AND COVER		
ISSUED	12-22-20	NON-STANDARD
REVISED	7-20-21	DWG.NO.S680-4