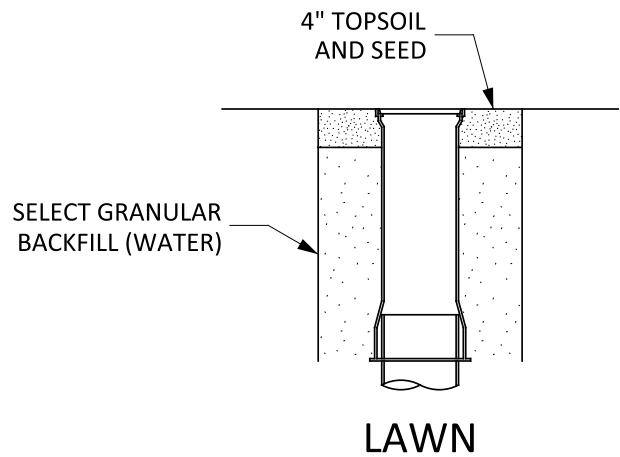
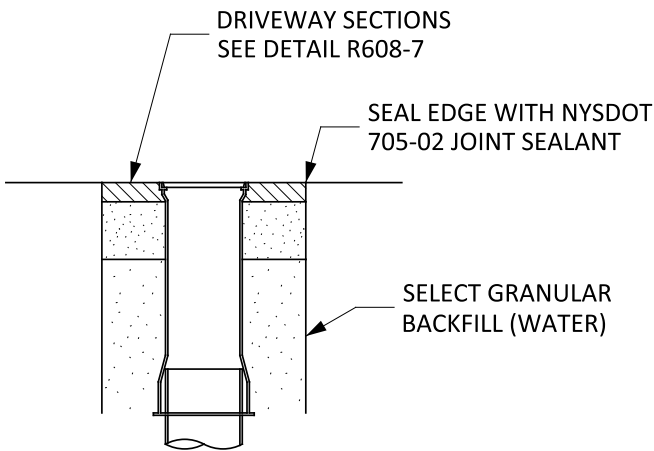


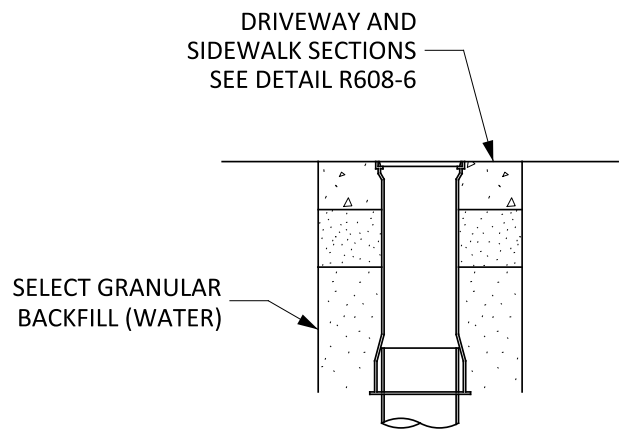
PLAN



LAWN



ASPHALT DRIVEWAY
AND PARKING LOT



CONCRETE SIDEWALK
AND DRIVEWAY

NOTES:

1. ADJUST EXISTING WATER VALVE BOX AND COVER, OR INSTALL NEW WATER VALVE BOX AND COVER. SET TOP TO GRADE.
2. IF ADJUSTING EXISTING WATER VALVE BOX AND COVER, EXISTING FLANGE IS TO REMAIN - DO NOT REMOVE.
3. REFER TO DETAILS S909-2 THRU S909-5 FOR ASPHALT PAVEMENT RESTORATION AND CONCRETE COLLAR DETAILS WITHIN ROADWAY.

CITY OF ROCHESTER		
WATER VALVE BOX ADJUSTMENT OR REPLACEMENT		
ISSUED	2-10-00	NON-STANDARD DWG.NO.S909-1
REVISED	6-17-21	