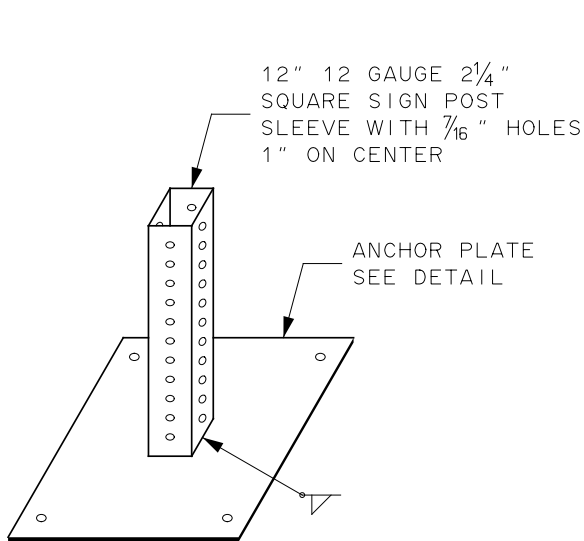
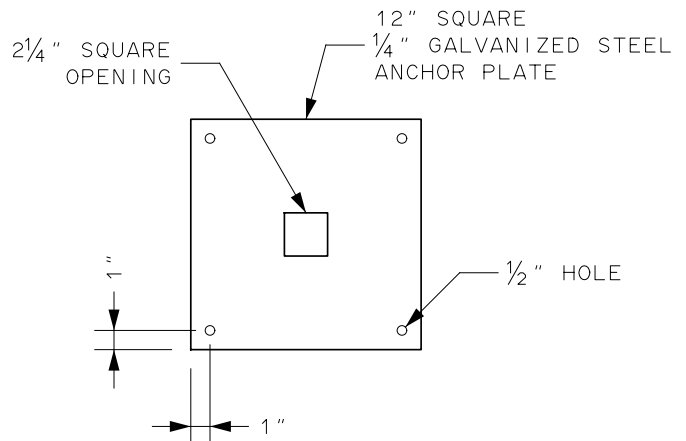


PLAN



ISOMETRIC



ANCHOR PLATE

**THIS DETAIL MAY ONLY BE USED AT SOLE DISCRETION OF CITY ENGINEER AND AS APPROVED BY MCDOT**

NOTES:

1. SIGN POST SLEEVE WITH ANCHOR BASE PLATE IS TO BE USED ONLY WHERE V-LOC SIGN POST BASE INSTALLATION IS NOT FEASIBLE (i.e.: OVER SUBSURFACE OBSTRUCTION SUCH AS AREAWAY, PARKING GARAGE, OR OTHER OBSTRUCTION, AND TOP OF OBSTRUCTION IS KNOWN TO BE SHALLOW).
2. SIGN POST SLEEVE IS TO BE CENTERED 24 INCHES PLUS 1/2 WIDTH OF SIGN OFF FACE OF CURB.
3. EXACT LOCATION OF SIGN POST SLEEVE WILL BE AS DIRECTED BY MCDOT. IF THERE ARE ANY QUESTIONS REGARDING LOCATION, CALL MCDOT FOR FURTHER ASSISTANCE AT (585) 753-7750.

CITY OF ROCHESTER		
SIGN POST SLEEVE WITH ANCHOR PLATE		
ISSUED	1-1-17	NON-STANDARD DWG.NO.S643-4
REVISED	12-9-21	