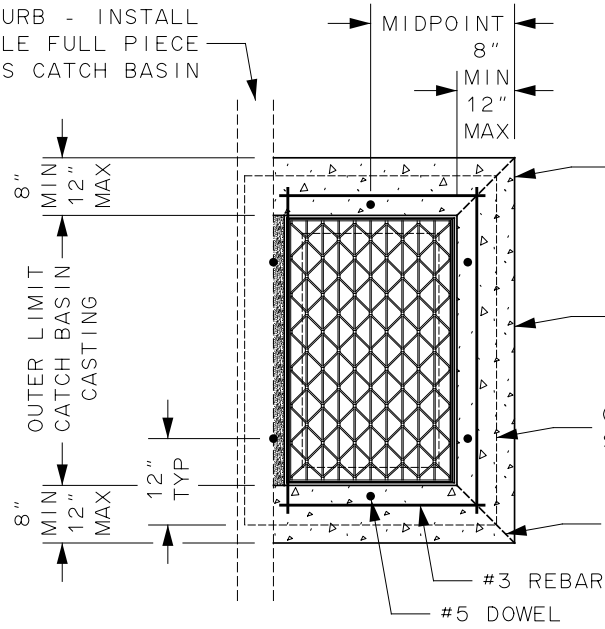


CURB - INSTALL
SINGLE FULL PIECE
ACROSS CATCH BASIN



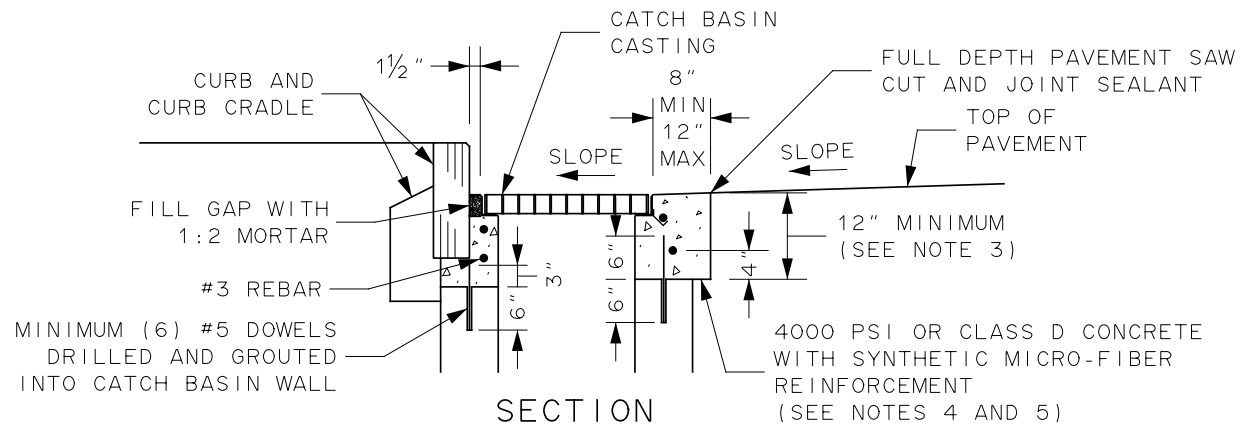
SAW CUT PAVEMENT FULL DEPTH
ALL EDGES. SEAL EDGES WITH
NYS DOT 705-02 HOT APPLIED
JOINT SEALANT SUCH AS
CRAF CO ROADS AVER 201 OR 231
OR APPROVED EQUIVALENT

4000 PSI OR CLASS D CONCRETE
WITH SYNTHETIC MICRO-FIBER
REINFORCEMENT
(SEE NOTES 4 AND 5)

OUTER WALL OF
STRUCTURE BELOW

SCORED AND TOOLED
JOINT EACH CORNER

PLAN



SECTION

NOTES :

1. CASTING AND TOP OF CONCRETE ARE TO BE IN SAME HORIZONTAL PLANE AS SURROUNDING SURFACE, TRUE TO LINE AND GRADE, WITH GRATE HAVING FULL CONTINUOUS AND UNIFORM BEARING CONTACT WITH FRAME.
2. TOP OF GRATE TO BE LEVEL WITH TOP OF FRAME, STABLE AND IMMOVABLE WHEN IN PLACE AND WHEN UNDER INFLUENCE OF TRAFFIC OR ANY OTHER TYPE OF LOAD BEARING STRESS. FRAME TO BE SET PARALLEL WITH CURB LINE.
3. DEPTH OF CONCRETE TO BE MINIMUM 12 INCHES. ACTUAL DEPTH TO BE TO CONSTRUCTION JOINT WITH OR WITHOUT KEYWAY.
4. HIGH EARLY STRENGTH CONCRETE TO BE USED FOR PLACEMENTS REQUIRED TO SATISFY OPEN TO TRAFFIC TIME REQUIREMENTS.
5. DURING AND AFTER DEPOSITION OF CONCRETE PERFORM MODERATE VIBRATION AND COMPACTION TO EXPEL LARGE BUBBLES AND EXCESS OF ENTRAPPED AIR FROM FRESHLY PLACED CONCRETE IN ACCORDANCE WITH NYS DOT SECTION 555-3.04 HANDLING AND PLACING CONCRETE.
6. WIDTH OF CONCRETE COLLAR TO BE SAME ON ALL SIDES.
7. SCARIFY AND/OR REMOVE TOP EXISTING WALLS TO SUFFICIENT DEPTH TO ACCOMMODATE CONCRETE. PRIOR TO POURING CONCRETE COAT TOP SURFACE OF WALL WITH NYS DOT 721-03 EPOXY POLYSULFIDE GROUT.
8. COAT INTERIOR SURFACE OF NEW CONCRETE WITH 2 COATS OF DURALKOTE 500 EPOXY OR APPROVED EQUIVALENT, AND EXPOSED EXTERIOR SURFACE OF NEW CONCRETE WITH 2 COATS OF BITUMINOUS COATING.

CITY OF ROCHESTER		
CONCRETE COLLAR FOR EXISTING CATCH BASIN AT CURB		
ISSUED	6-24-19	NON-STANDARD DWG.NO.S604-94
REVISED	12-30-21	