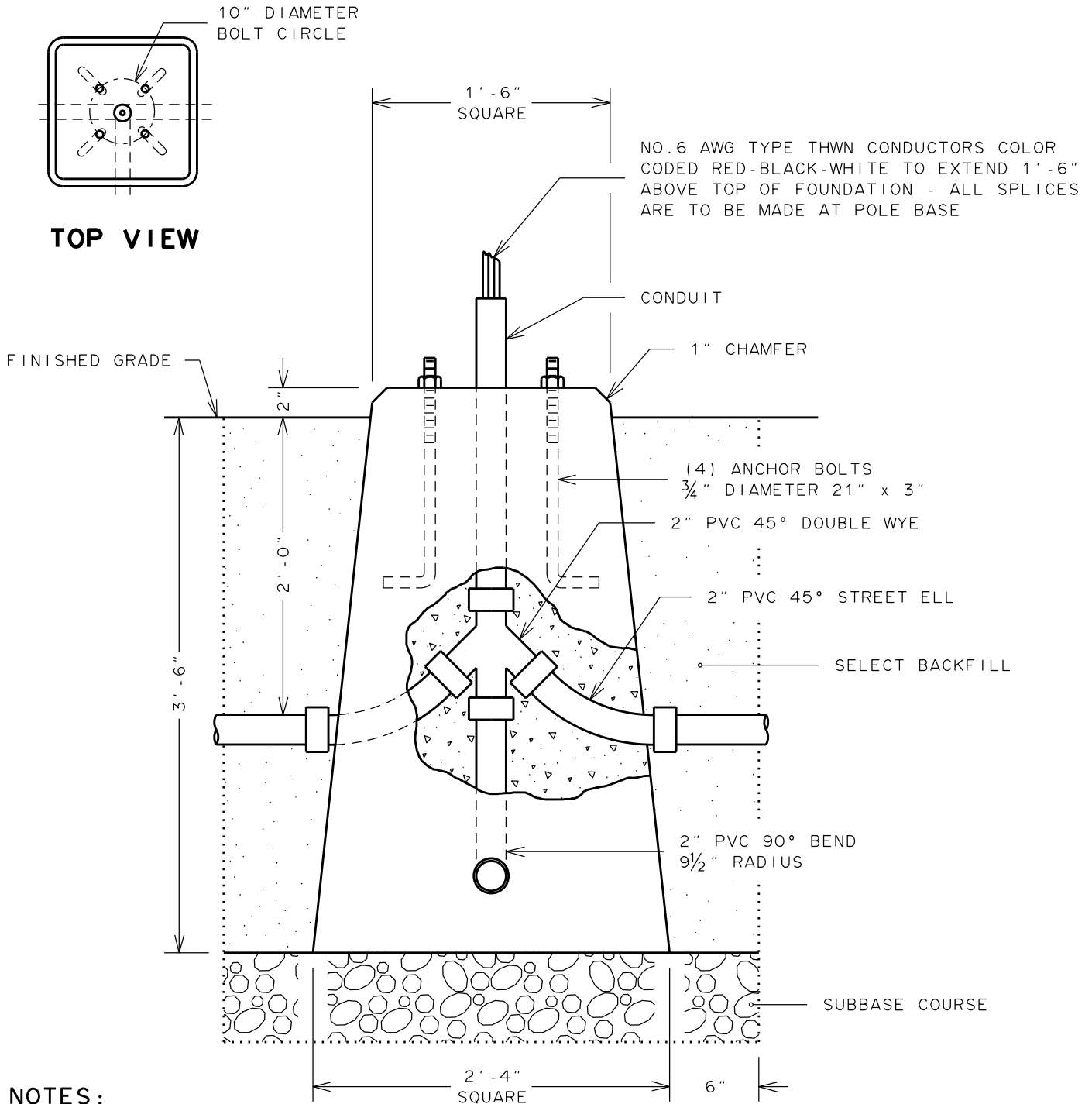


TOP VIEW



NOTES:

1. FOUNDATION TO BE MADE OF CLASS A CONCRETE. TOP OF FOUNDATION TO BE 2 INCHES ABOVE FINISHED GRADE.
2. TOP OF ANCHOR BOLTS TO EXTEND 2 INCHES ABOVE TOP OF FOUNDATION.
3. TOP OF CONDUIT TO EXTEND 6 INCHES ABOVE TOP OF FOUNDATION.
4. ALL CONDUIT CONNECTIONS IN FOUNDATION TO HAVE DOUBLE WYE TYPE OPENING.
5. SUPPLY TWO NEW LEVELING SHIMS FOR EACH EXISTING ANCHOR BOLT FOR LEVELING BASE PLATE AND TO PLUMB POLE.

CITY OF ROCHESTER		
FIBERGLASS POLE PRECAST FOUNDATION		
ISSUED	9-2-91	STANDARD DWG.NO.R67I-9
REVISED	9-15-20	