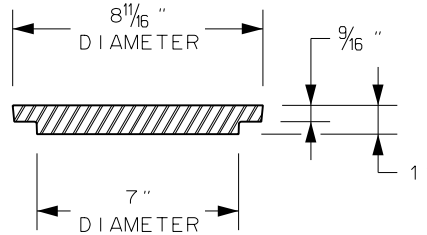
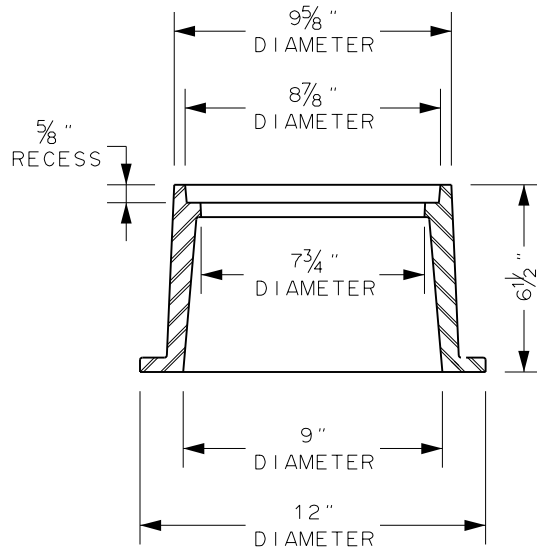


COVER



SECTION A-A



FRAME

NOTES :

1. FRAME AND COVER TO BE SET FLUSH WITH FINISHED GRADE AND CENTERED OVER SURVEY MONUMENT.
2. FRAME AND COVER TO HAVE FULL AND EVEN BEARING ON UNDERLYING SURFACE AND IS TO BE NON-ROCKING WHEN IN PLACE.
3. INTERIOR OF FRAME TO BE VOID OF EXCESS MATERIALS.
4. HEAVY-DUTY FRAME AND COVER TO BE IN ACCORDANCE WITH EJ #4178A AND #4178Z AS MANUFACTURED BY EJ GROUP OR APPROVED EQUIVALENT.
5. REFER TO DETAIL R626-1 FOR SURVEY MONUMENT.

CITY OF ROCHESTER		
SURVEY MONUMENT FRAME AND COVER		
ISSUED	1-1-17	NON-STANDARD DWG.NO.S626-7
REVISED	6-21-23	