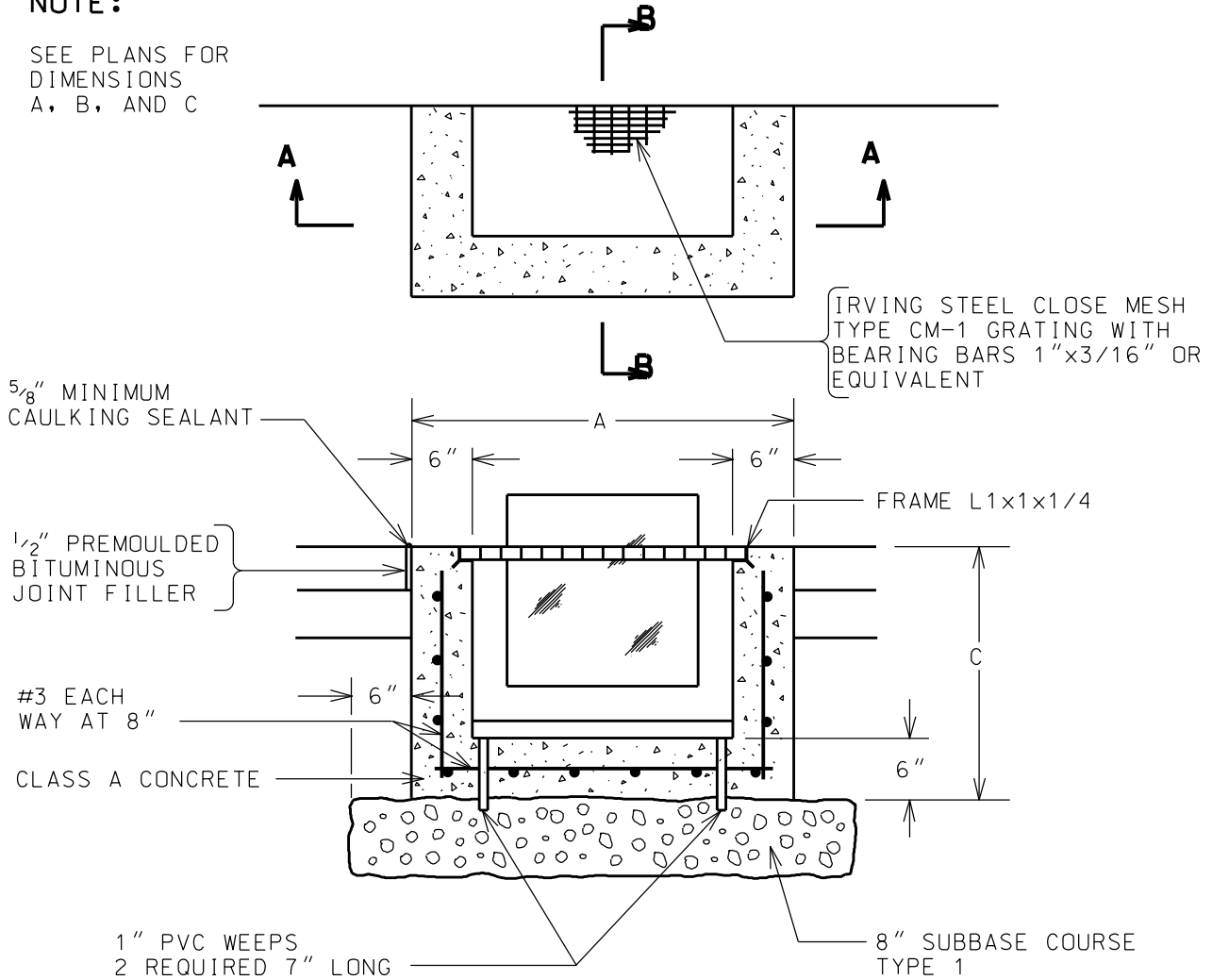


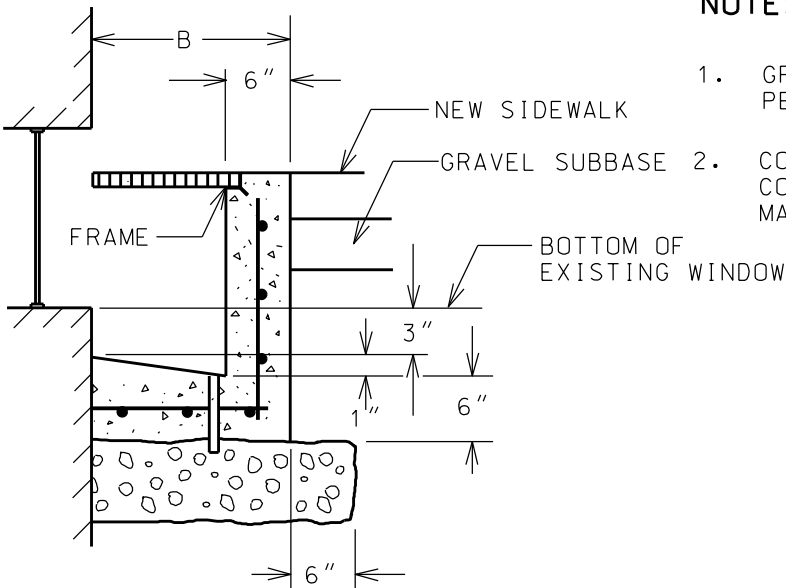
NOTE:

SEE PLANS FOR
DIMENSIONS
A, B, AND C



NOTES:

1. GRATE TO BE WELDED TO FRAME PER MANUFACTURER'S RECOMMENDATIONS.
2. COAT INTERIOR AND EXTERIOR WITH 2 COATS OF AN APPROVED BITUMINOUS MATERIAL.



CITY OF ROCHESTER

WINDOW WELL

| | | |
|---------|---------|------------|
| ISSUED | 9-2-91 | STD. DWG. |
| REVISED | 12-1-93 | NO. R590-1 |