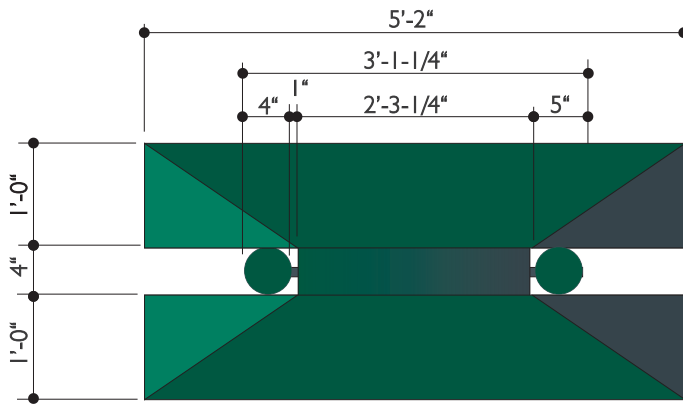


## APPENDIX II: Detail Drawings

The following Detail Drawings will be used for all future expansion of the signage system.

Note: Detail Drawings are available in digital format from DES Development.

Category	Description	Drawing ID	Category	Description	Drawing ID
A-1	Major Pedestrian Kiosk	DD-1 of 34	F-2	Removable Trail Marker	DD-22 of 34
A-1	Pedestrian Kiosk Panels Layout	DD-2 of 34	F-3	Directional Trail Marker	DD-23 of 34
A-1	Pedestrian Kiosk Fabrication	DD-3 of 34	F-4	Cast Medallion	DD-24 of 34
A-1	Pedestrian Kiosk Base Plate, Cover And Foundation	DD-4 of 34	F-5	Thermoplastic Sidewalk Logo	DD-25 of 34
A-1	Pedestrian Kiosk Awning	DD-5 of 34	G-1	Free-Standing Interpretive	DD-26 of 34
B-1	Minor Pedestrian Kiosk	DD-6 of 34	G-2	Wall-Mounted Interpretive	DD-27 of 34
C-1	Parking Lot Directional	DD-7 of 34	G-3	Rail-Mounting Interpretive	DD-28 of 34
C-1	Parking Lot Directional Fabrication / Installation	DD-8 of 34	G-3	Mounting Plate	DD-29 of 34
D-1	Major Trail Directional	DD-9 of 34	G-3	Mounting	DD-30 of 34
D-1	Major Trail Directional Fabrication / Installation	DD-10 of 34	G	Interpretive Sign Layout Grids	DD-31 of 34
D-1	Trail Directional Copy Layout	DD-11 of 34	G	Interpretive Sign Typographic Standards	DD-32 of 34
D-2	Minor Trail Directional	DD-12 of 34	H-1	Stop Sign	DD-33 of 34
D-3	R.O.W. Vehicular Directional	DD-13 of 34	J-1	Bridge Identification	DD-34 of 34
D-3	R.O.W. Vehic. Dir. Layout	DD-14 of 34			
D-4	R.O.W. Pedestrian Directional	DD-15 of 34			
D-4	R.O.W. Ped. Dir. Layout	DD-16 of 34			
D-5	R.O.W. Ped. Dir. (Small)	DD-17 of 34			
D-5	R.O.W. Ped. Dir. (Small) Mounting	DD-18 of 34			
E-1	Major Hazard / Warning	DD-19 of 34			
E-2	Minor Hazard/ Warning	DD-20 of 34			
F-1	Trail Marker	DD-21 of 34			



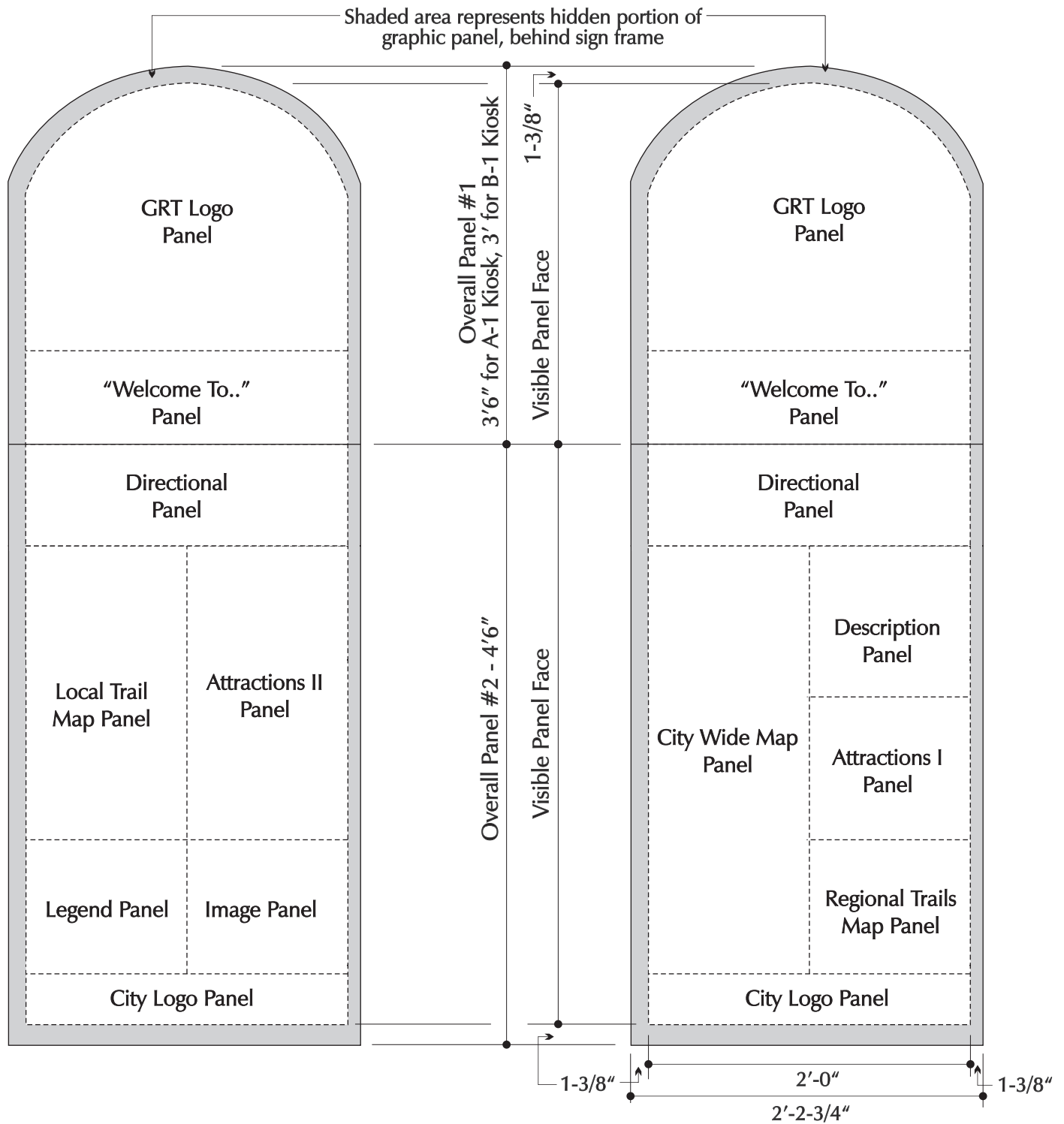
**NOTES:**

1. Fabrication will include aluminum box panel core, fused resin message panels, aluminum awning, aluminum posts, aluminum wall collars, and all fasteners and anchors as necessary to manufacture and install the kiosk.
2. Art for Genesee Riverway Trail logo and all panel graphics will be furnished by owner.

<b>Type A-1 Major Pedestrian Kiosk</b>
<b>Genesee Riverway Trail Signage</b>

LOCAL SIGN FACE

CITY WIDE SIGN FACE



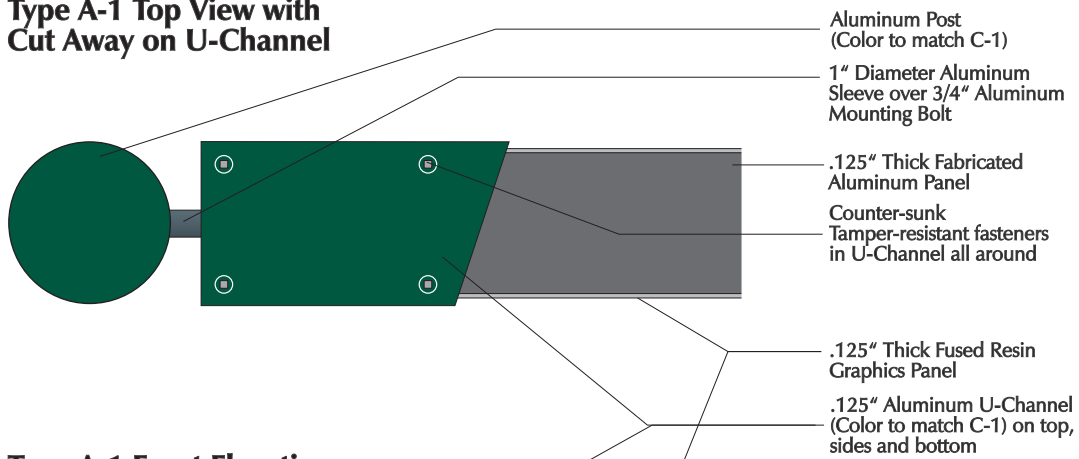
**NOTES:**

1. Graphic Panels to be .125" thick fused resin graphics panel. All panels will be inserted behind U-Channel around perimeter on front and back.
2. Panel layout is the same for B-1 Minor Kiosks.
3. A-1 Major Kiosk Awning is not shown.
3. See Drawing DD-3 of 35 for connections of panels to U-Channel and removable aluminum cap.

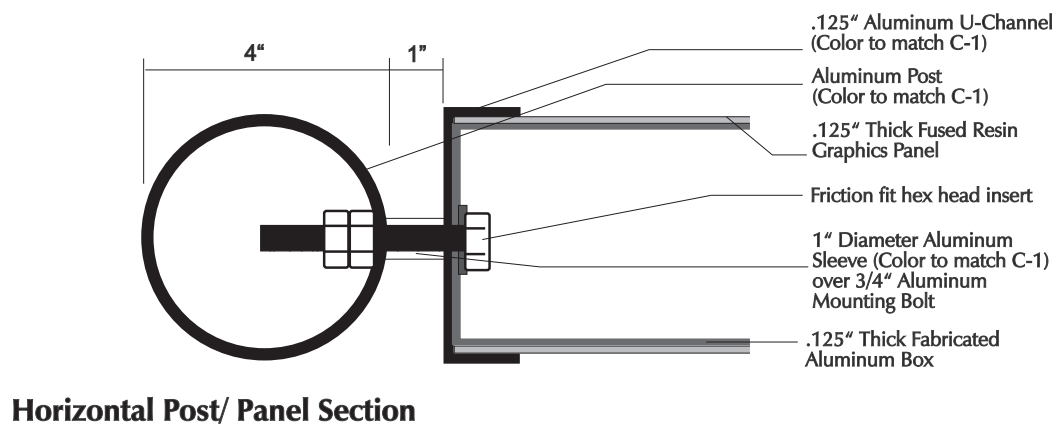
**Type A-1 Pedestrian Kiosk Panels Layout**

**Genesee Riverway Trail Signage**

**Type A-1 Top View with Cut Away on U-Channel**



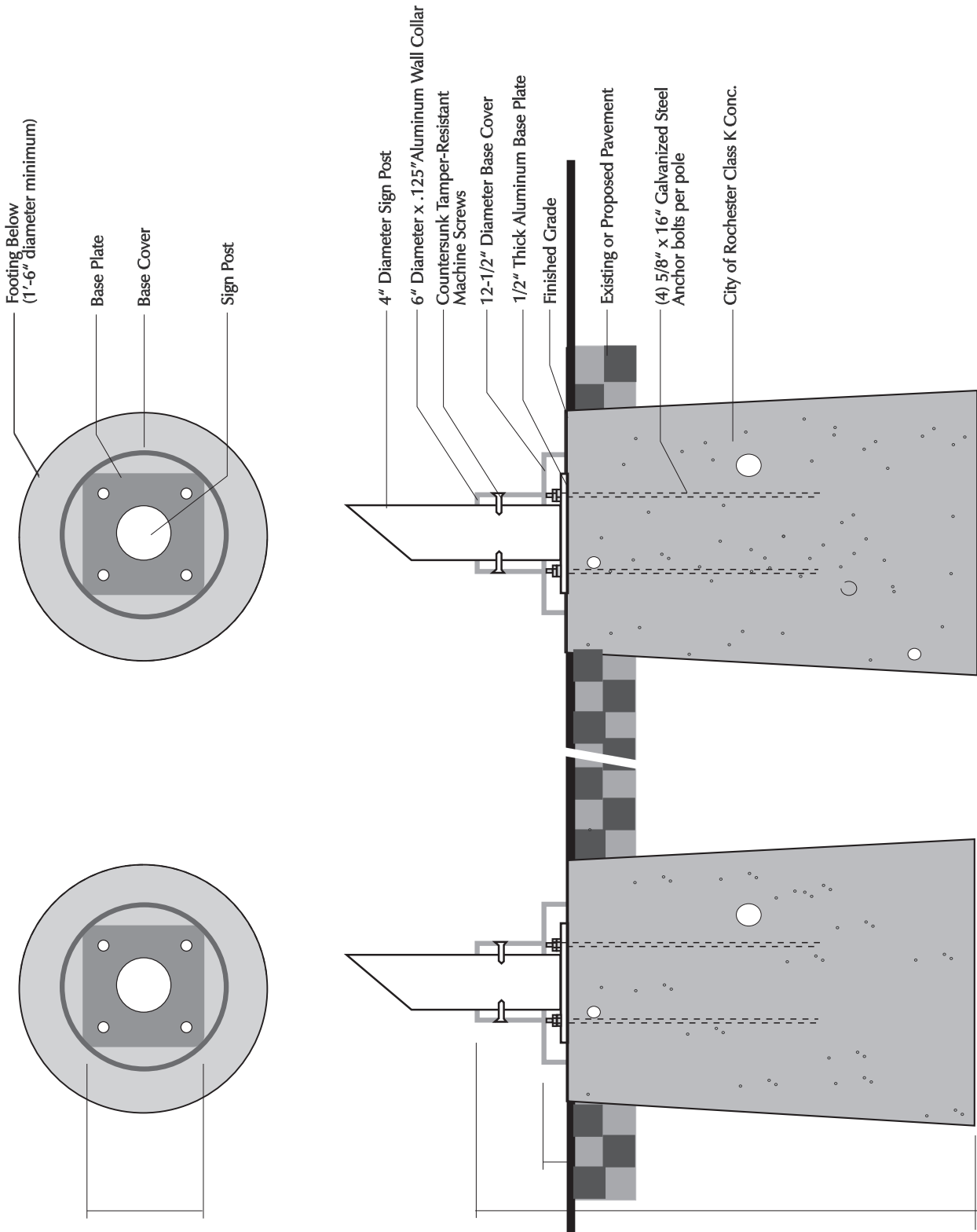
**Type A-1 Front Elevation**



**Horizontal Post/ Panel Section**

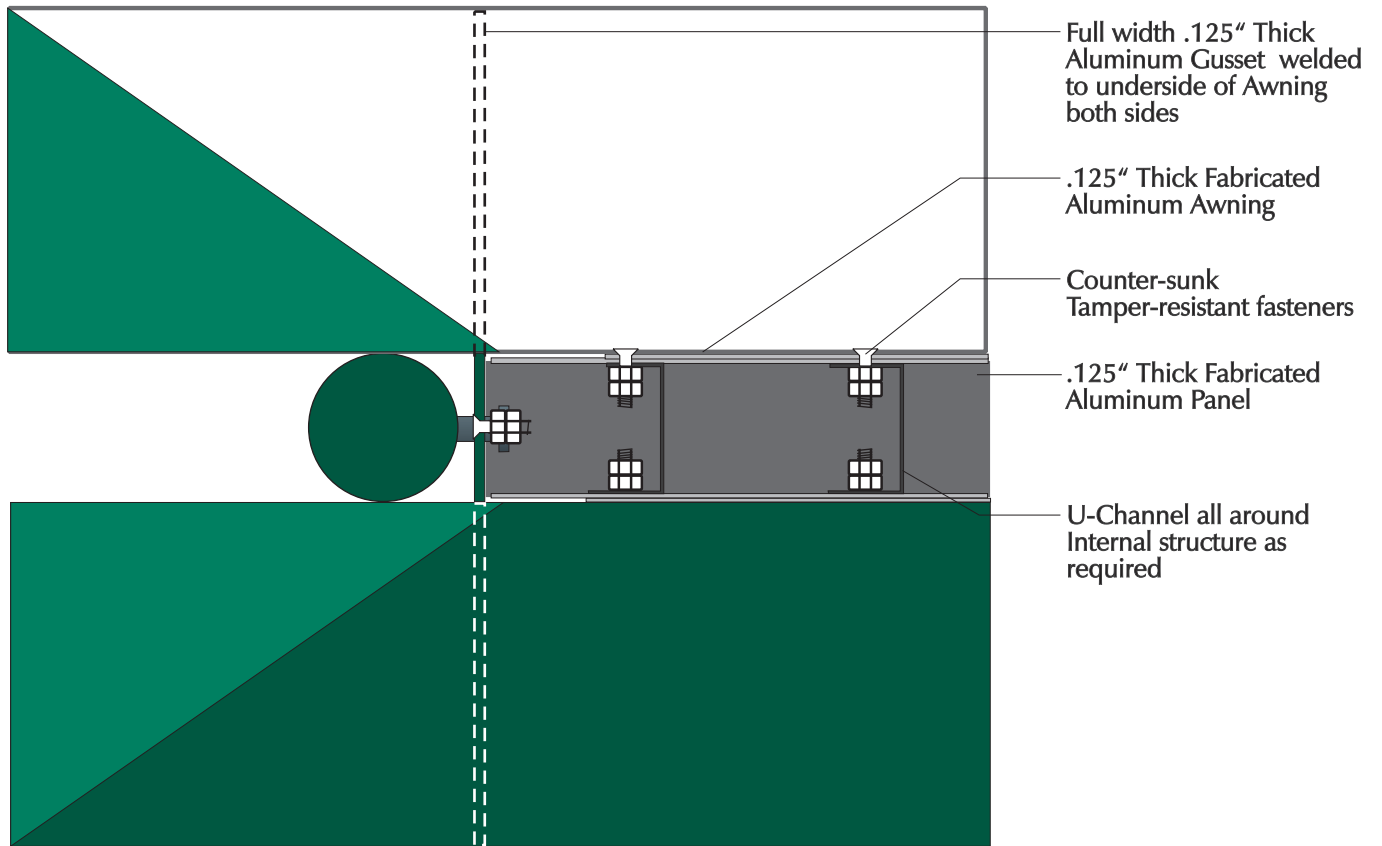
**Type A-1 Major Pedestrian Kiosk Fabrication**

**Genesee Riverway Trail Signage**



Note: 1. Saw cut existing pavement full depth prior to excavation.

**Type A-1 Major Pedestrian Kiosk Base Plate, Cover and Foundation**  
**Genesee Riverway Trail Signage**

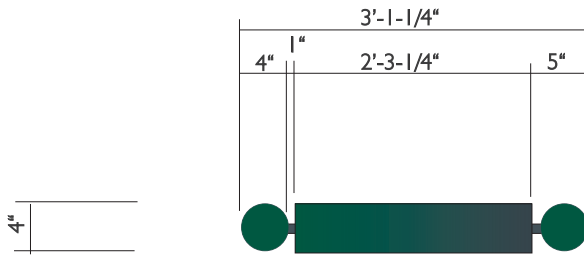


**NOTES:**

1. Awning to be .125" thick aluminum formed to shape and fastened to fabricated aluminum cabinet and internal U-Channel structure with tamper-resistant fasteners as required to meet windload specification. All formed edges and joints to be filled and ground smooth.
2. No. 1 Graphics Panel (with GRT Logo) to be pre-drilled to permit awning connection to U-Channel interior structure.

**Type A-1 Major Pedestrian Kiosk Awning**

**Genesee Riverway Trail Signage**



**NOTES:**

1. Materials and fabrication same as Type A-1.
2. Graphic Panel assembly (GRT logo & Welcome To... panels) at top similar to Type A-1 kiosk except height is six inches less. All remaining panels remain unchanged.

<b>Type B-1 Minor Pedestrian Kiosk</b>	
<b>Genesee Riverway Trail Signage</b>	<b>S-2</b>

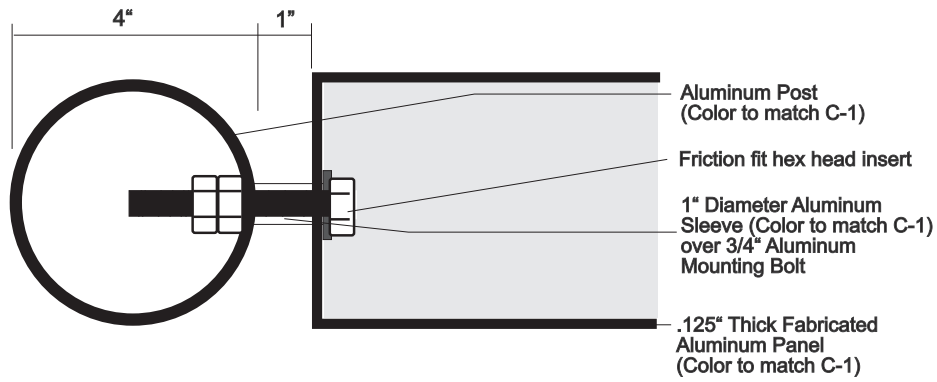


**NOTES:**

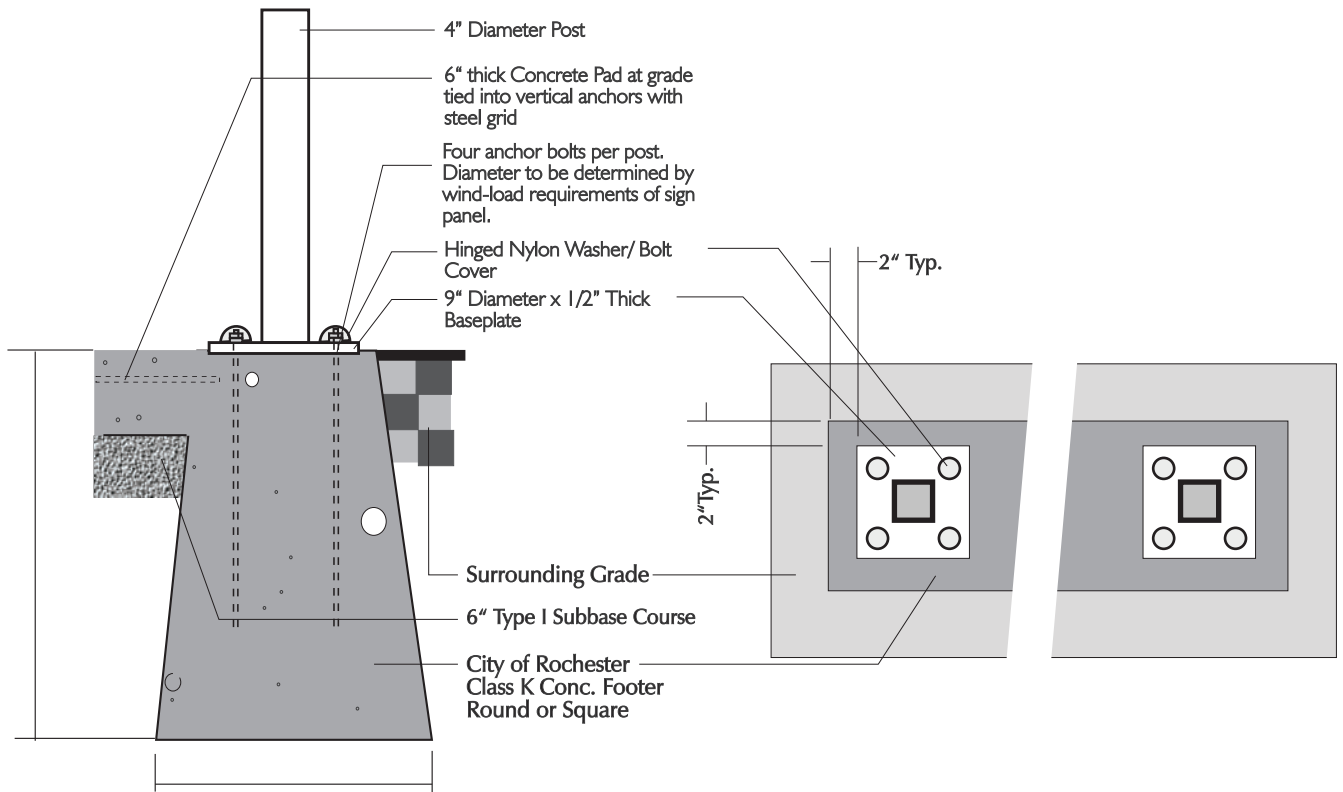
1. Sign Panel to be fabricated aluminum. Posts material and panel attachment same as Type B-1.
2. Colors, GRT logo and typefaces same as Type B-1.
3. Graphics to be 3M Brand reflective SCOTCHLITE.

<b>Type C-1 Parking Lot Directional</b>
<b>Genesee Riverway Trail Signage</b>





### Horizontal Post/ Panel Section

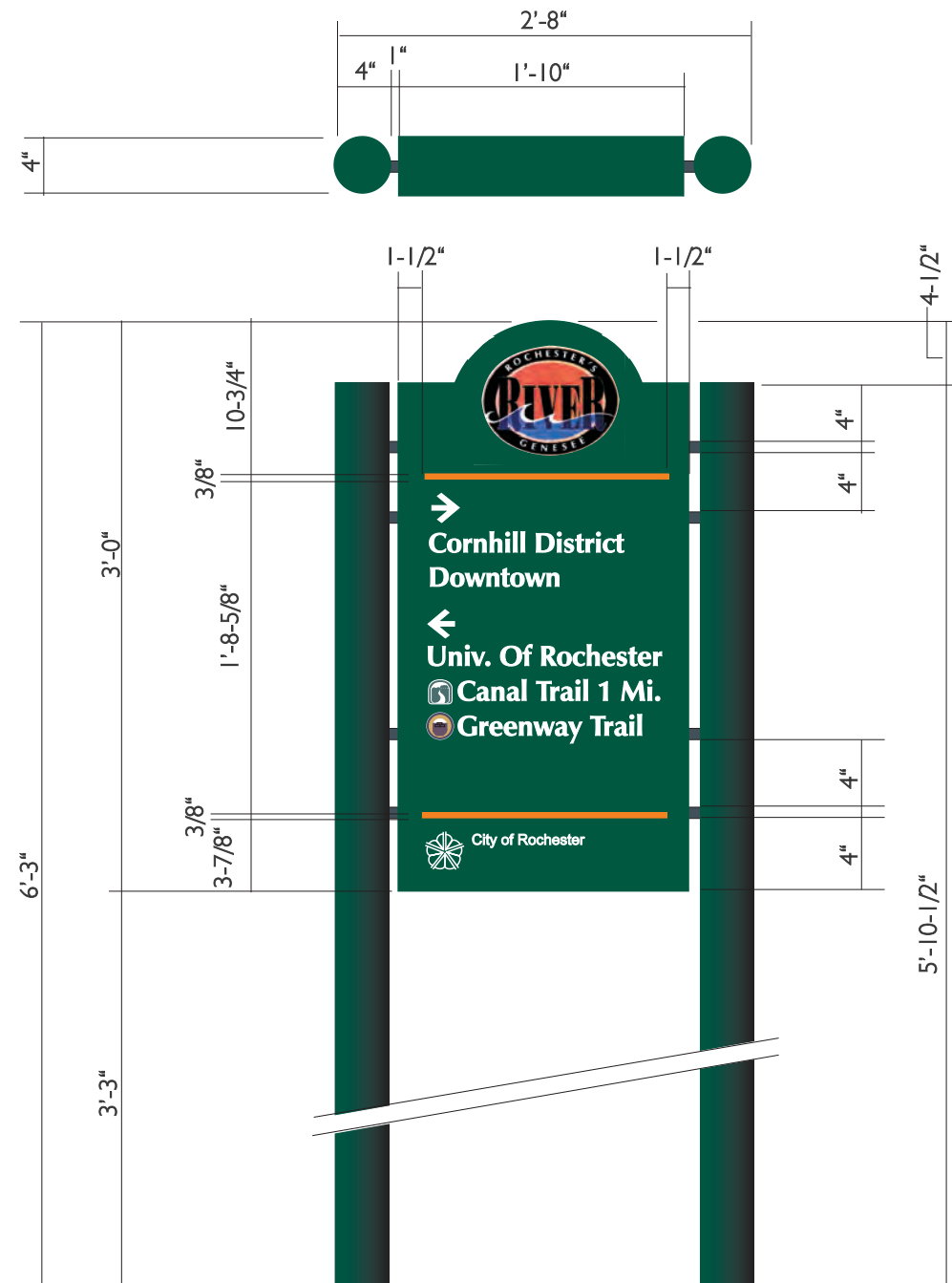


#### NOTES:

1. Fabricated Aluminum Panel to receive surface-applied Scotchlite reflective graphics.
2. Logo to be screen-printed with transparent ink onto white reflective sheeting material.
3. Baseplate and Bolt Covers to be painted to match C-1.

**Type C-1 Parking Lot Directional Fabrication/ Installation**

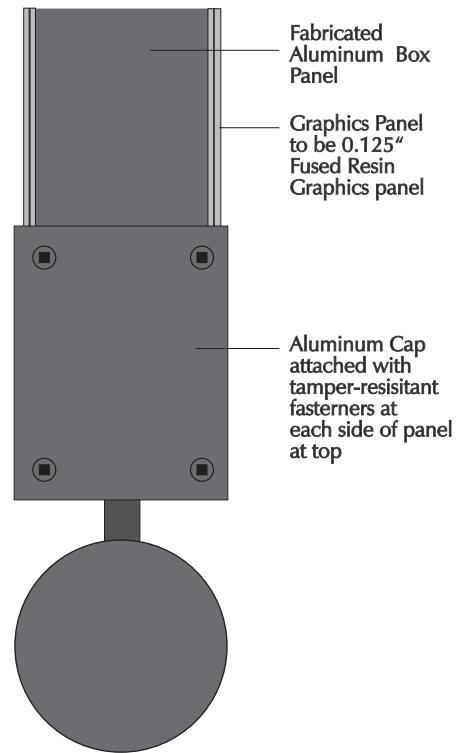
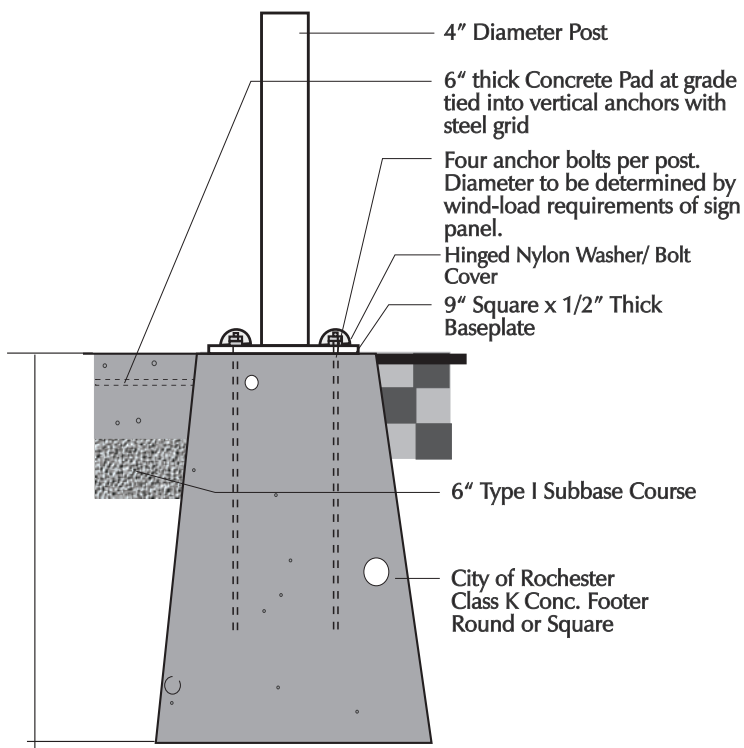
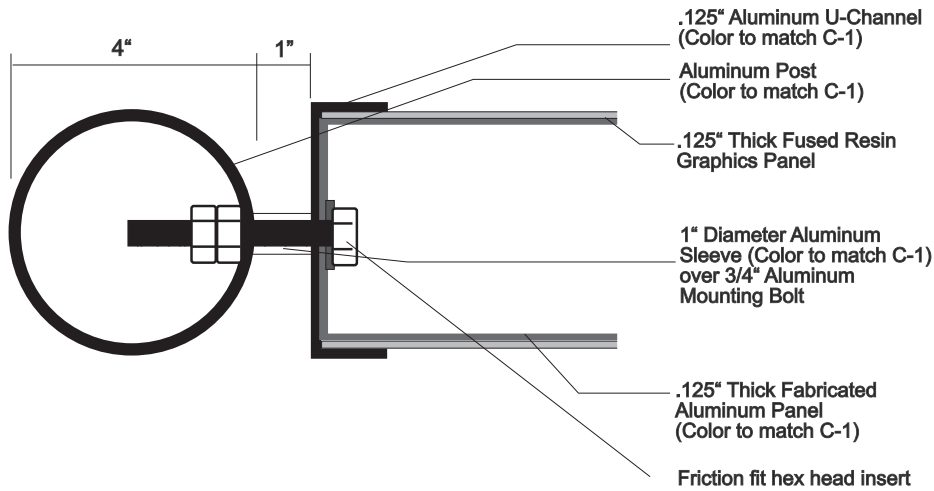
**Genesee Riverway Trail Signage**



**NOTES:**

1. Materials and Fabrication same as Type B-1.
2. Colors, GRT logo and typefaces same as Type B-1.
3. Owner will provide art on disk of all logos to be used on Directional Signage.

<b>Type D-1 Major Trail Directional</b>
<b>Genesee Riverway Trail Signage</b>

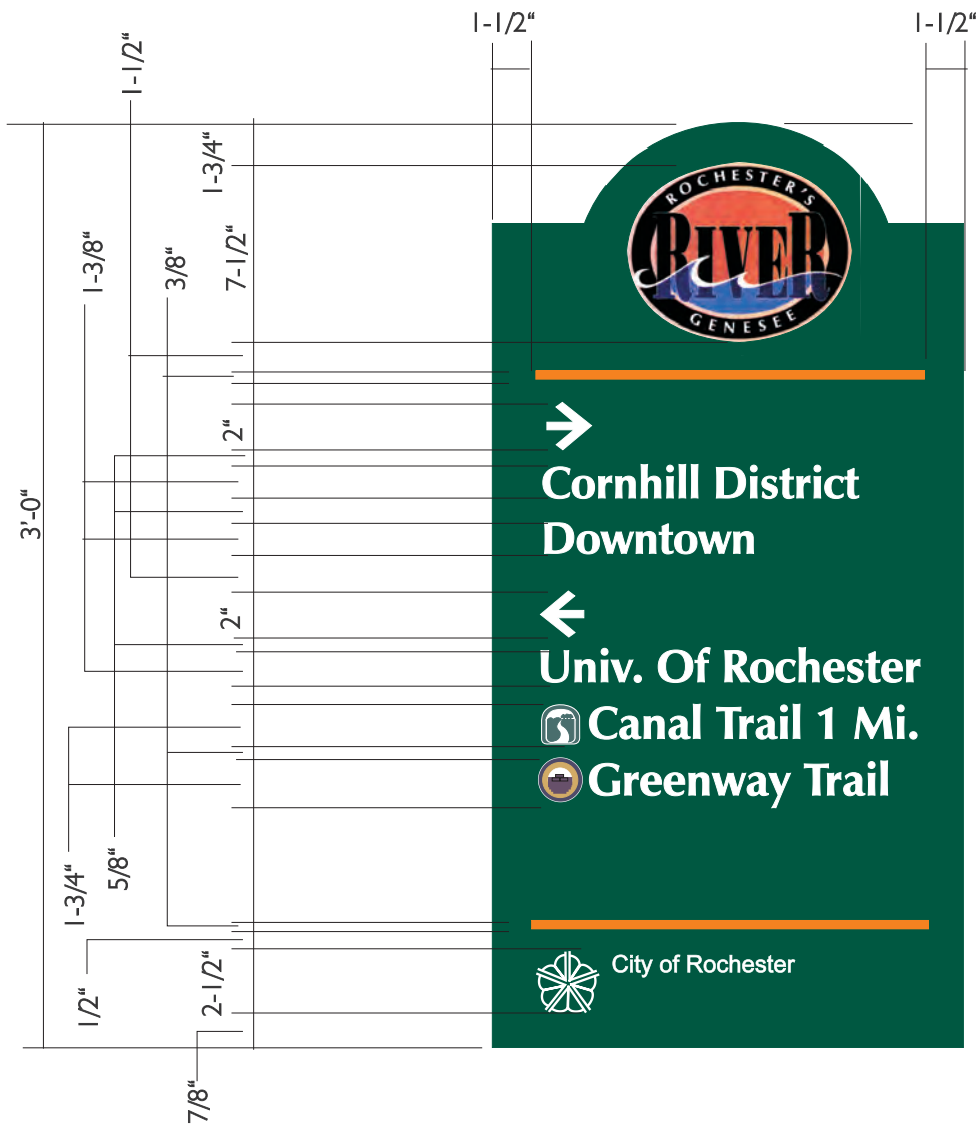


**NOTES:**

1. Fused Resin Graphics Panel to be inserted behind U-Channel on front and back. Panel bottom will include stop for Graphics Panel Assembly. All edges to be finished smooth and painted to match C-1 (Green).
2. Aluminum cap to be attached to fabricated aluminum panel with Tamper-resistant fasteners. All exposed edges and fastener heads to be painted to match C-1 (Green).

**Type D-1 Trail Directional Fabrication/ Installation**

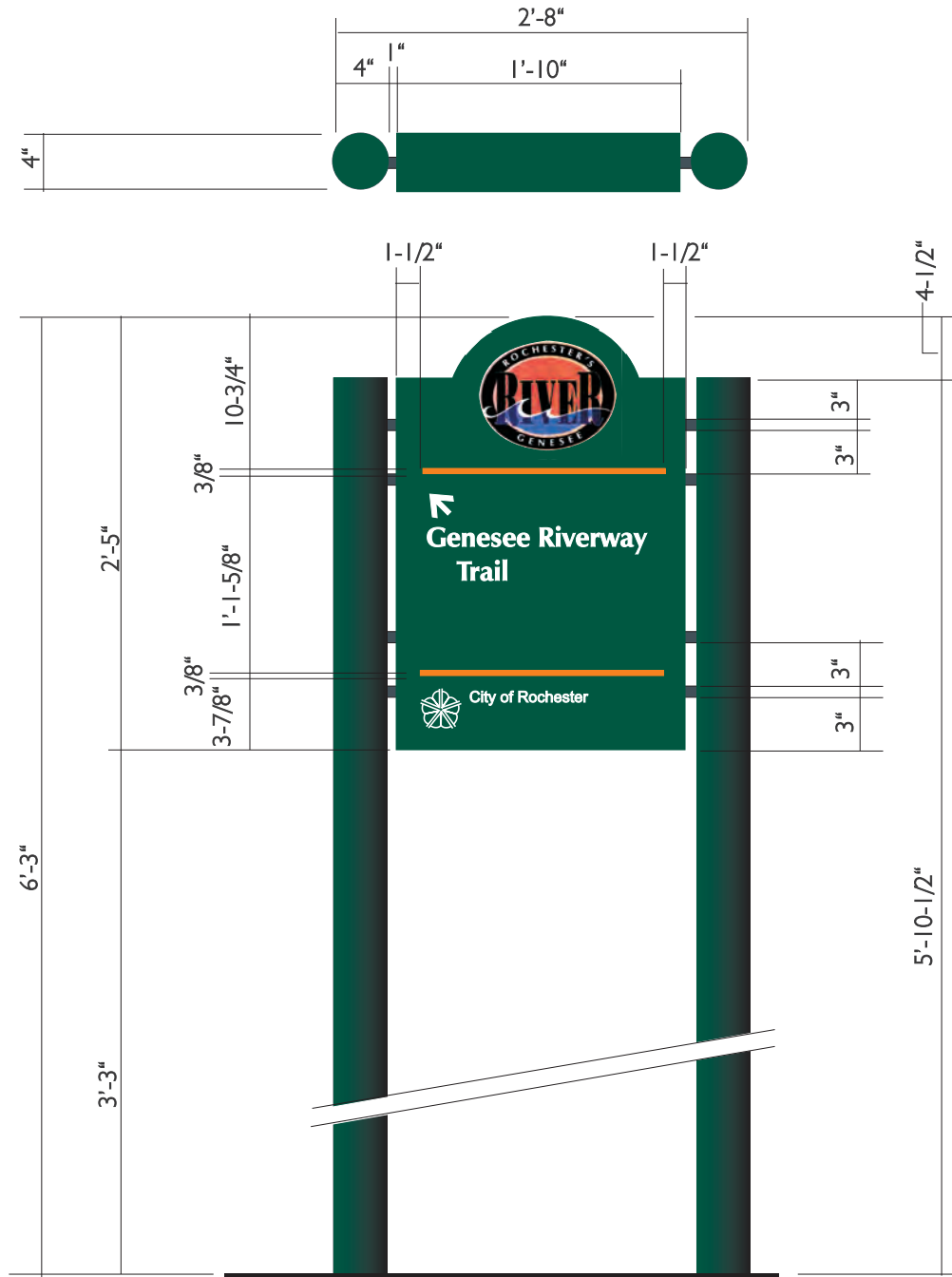
**Genesee Riverway Trail Signage**



**NOTES:**

1. Use Copy, symbol and spacing standards shown above for Types D-1 and D-2 Directional Signage.

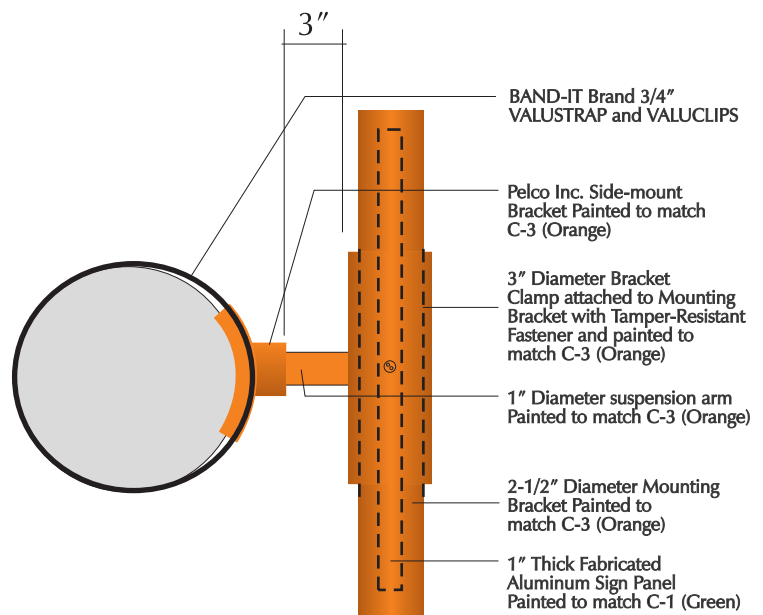
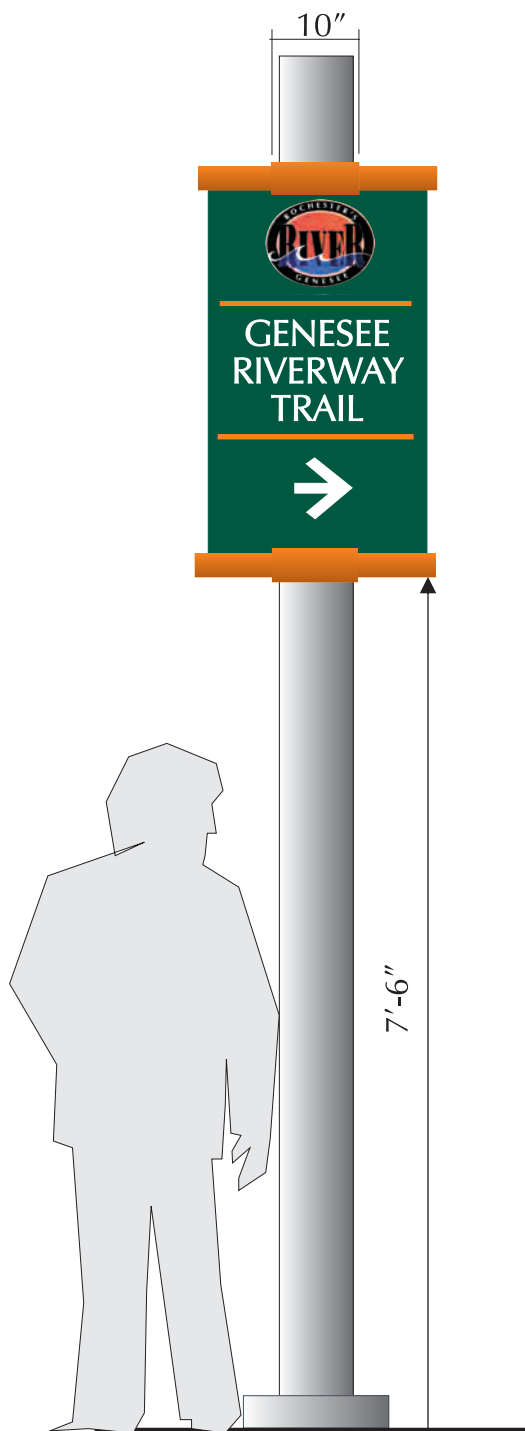
<b>Type D-1 Major Trail Directional Copy Layout</b>
<b>Genesee Riverway Trail Signage</b>



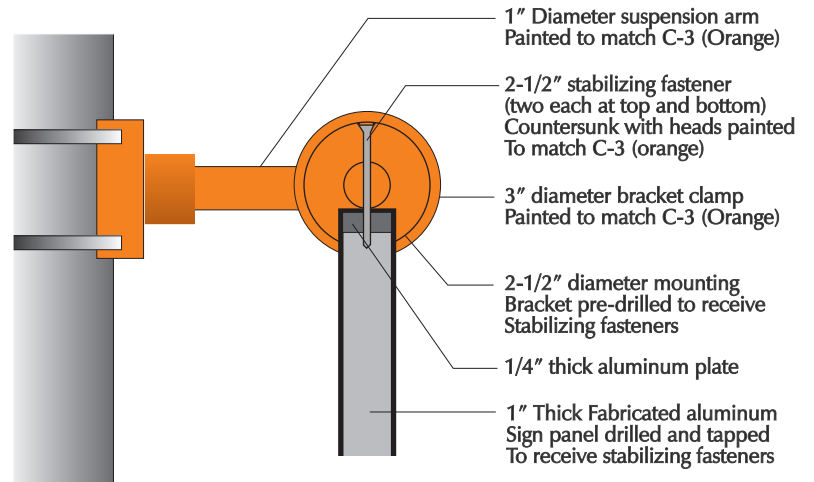
**NOTES:**

1. Materials, fabrication, copy layout and mounting same as Type D-1.

<b>Type D-2 Minor Trail Directional</b>
<b>Genesee Riverway Trail Signage</b>



Light Pole Mounting Detail



Panel/ Mounting Bracket Connection

**NOTES:**

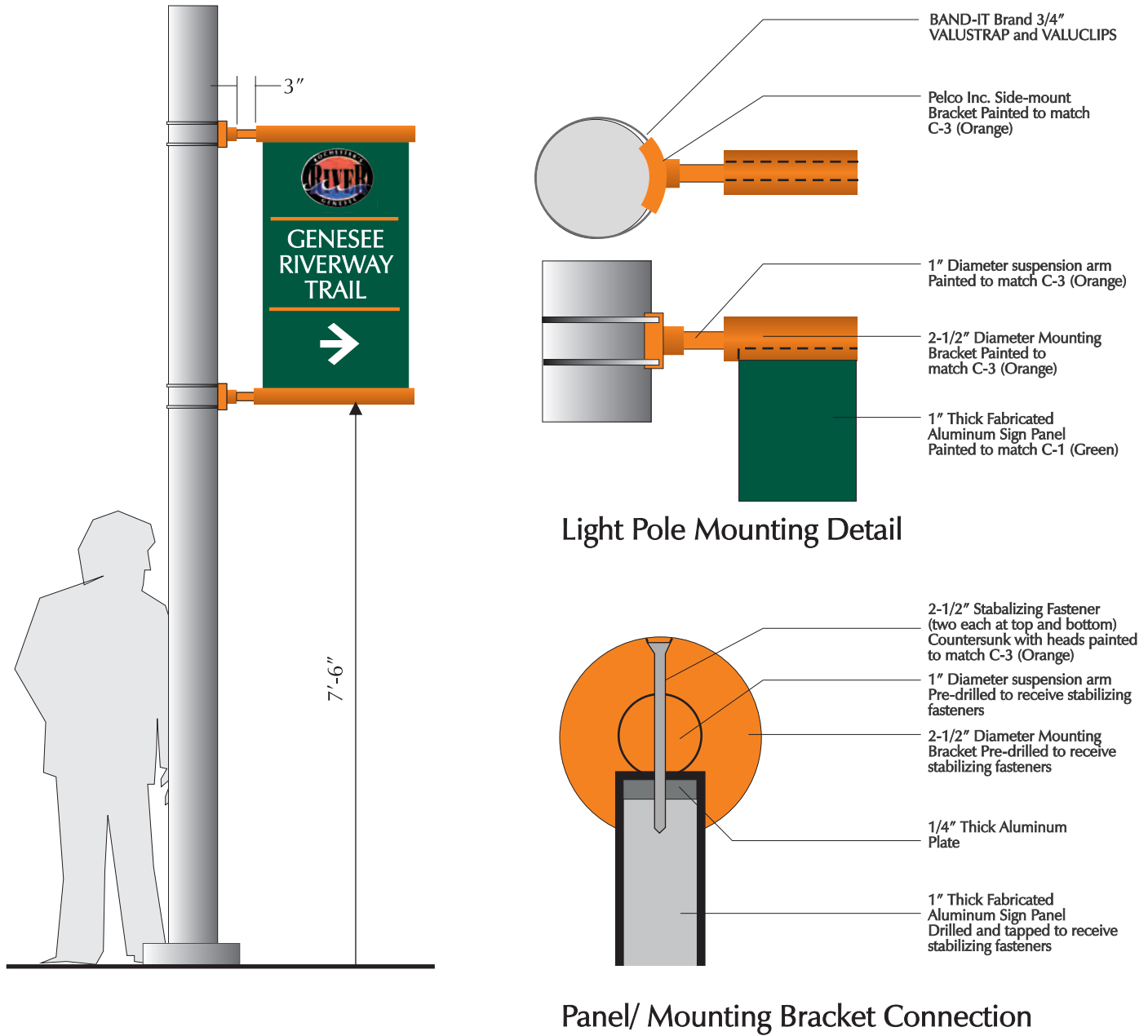
1. Sign Panel to be fabricated aluminum with applied reflective vinyl graphics.
2. Colors, GRT logo and typefaces same as Type B-1.

**Type D-3 R.O.W. Vehicular Directional**

**Genesee Riverway Trail Signage**



<b>Type D-3 R.O.W. Vehicular Directional Layout</b>
<b>Genesee Riverway Trail Signage</b>



**NOTES:**

1. Sign Panel to be fabricated aluminum with applied reflective vinyl graphics.
2. Colors, GRT logo and typefaces same as Type B-1.

**Type D-4 R.O.W. Pedestrian Directional**

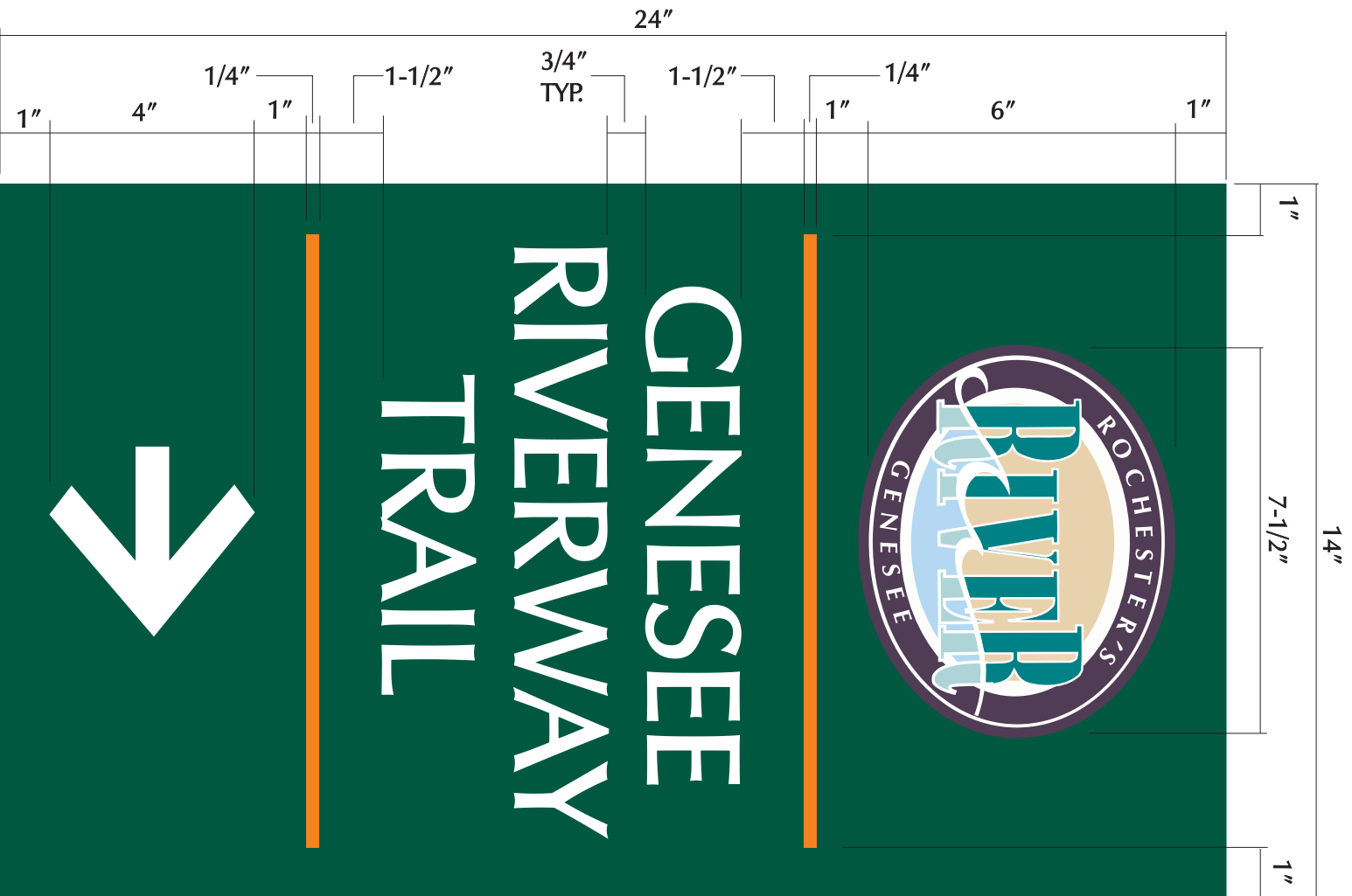
**Genesee Riverway Trail Signage**





**Type D-4 R.O.W. Pedestrian Directional Layout**

**Genesee Riverway Trail Signage**

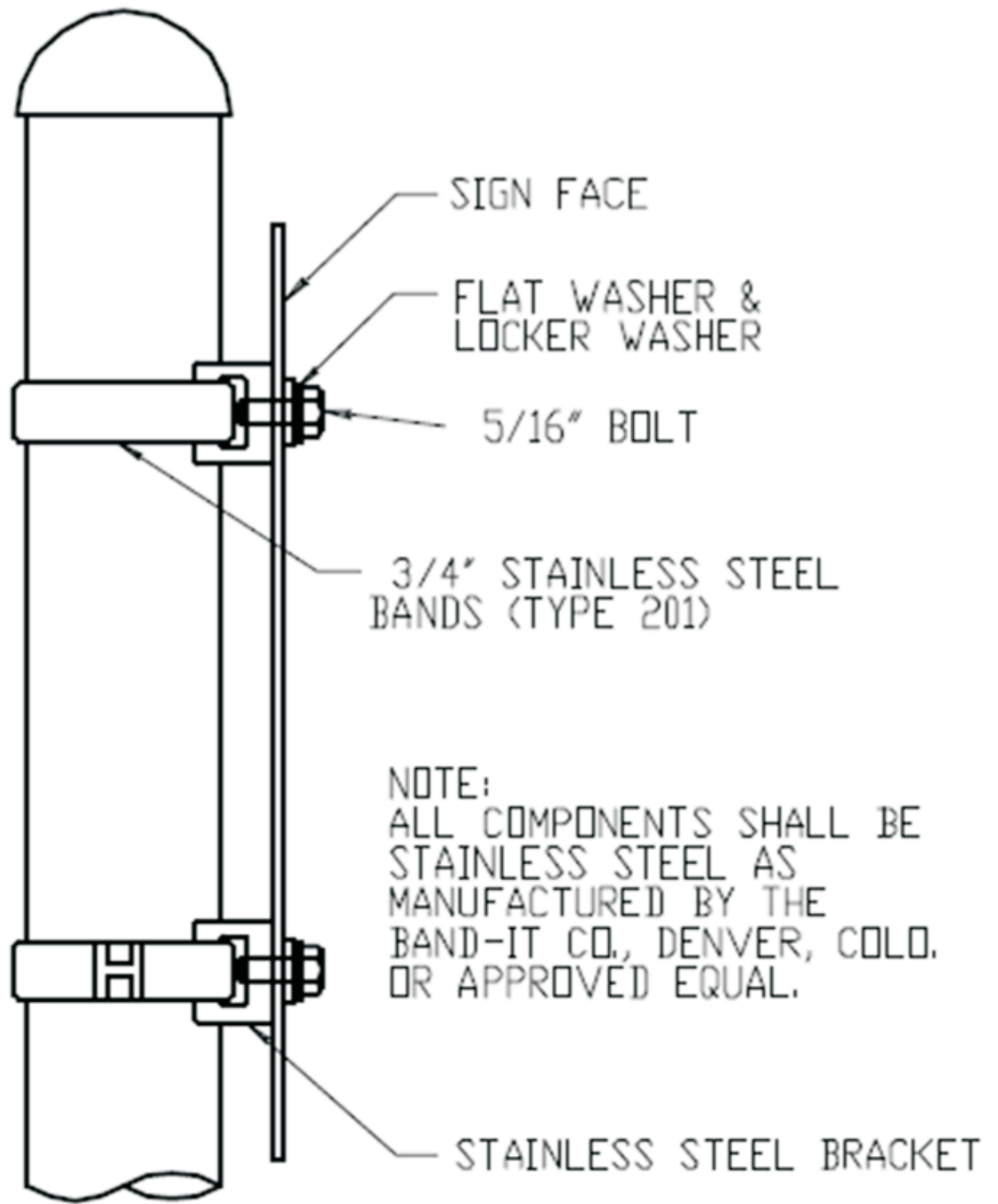


**NOTES:**

1. Sign Panel to be fabricated aluminum with applied reflective vinyl graphics.

**Type D-5 R.O.W. Pedestrian Directional (Small)**

**Genesee Riverway Trail Signage**



**Type D-5 R.O.W. Pedestrian Directional (Small) Mounting**

**Genesee Riverway Trail Signage**

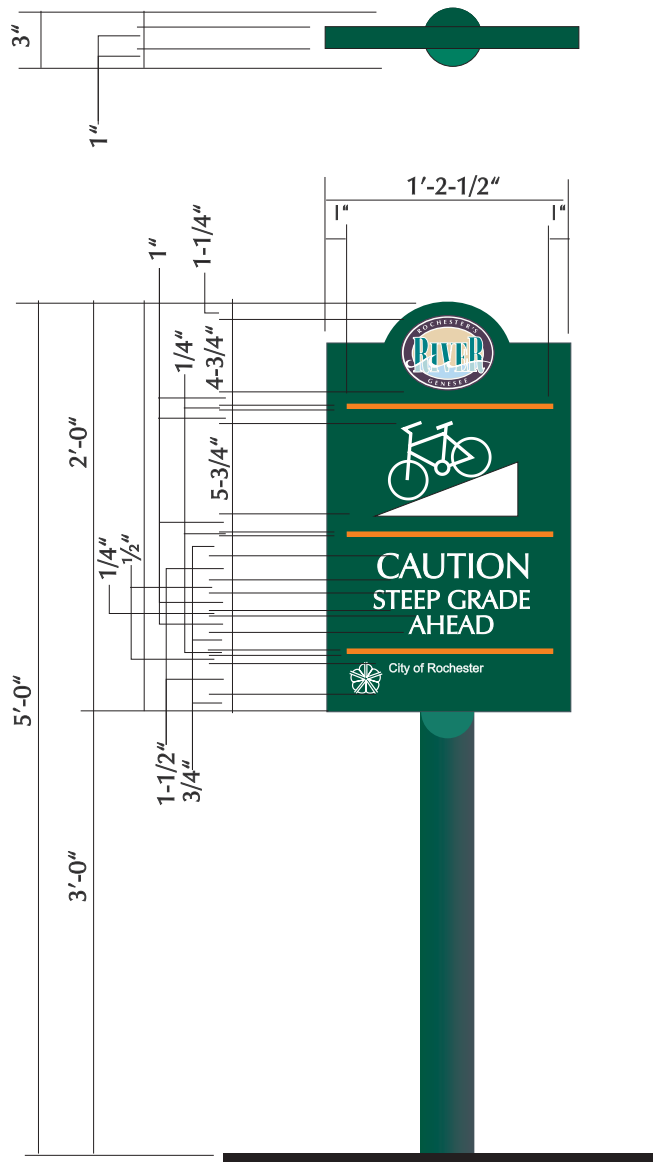


**NOTES:**

- 1. Materials and Fabrication same as Type D-1.
- 2. Content may change with each sign, see sign schedule for content specific to this project.

**Type E-1 Major Hazard/ Warning**

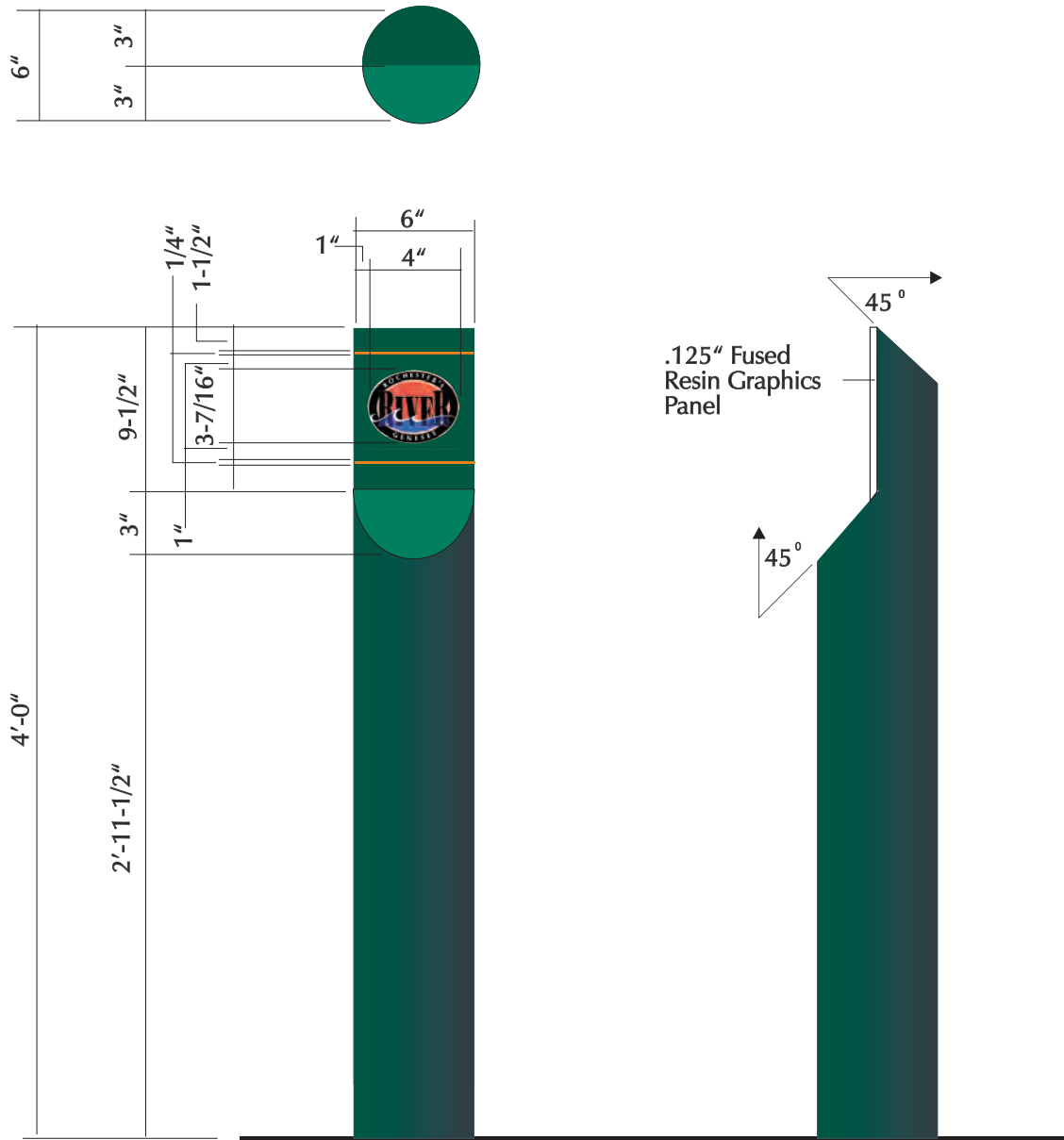
**Genesee Riverway Trail Signage**



**NOTES:**

1. Sign Post to be 3" Diameter Aluminum with angled planes fabricated as shown above.
2. Minor Hazard Warning Sign to be fabricated aluminum box panel fused resin graphics similar to Type E-1.
3. Attach Sign Panel to post with fasteners and post plugs similar to Type D-1.
4. Post to be direct embedded into 42" concrete anchor with minimum 12" diameter.

<b>Type E-2 Minor Hazard Warning</b>
<b>Genesee Riverway Trail Signage</b>

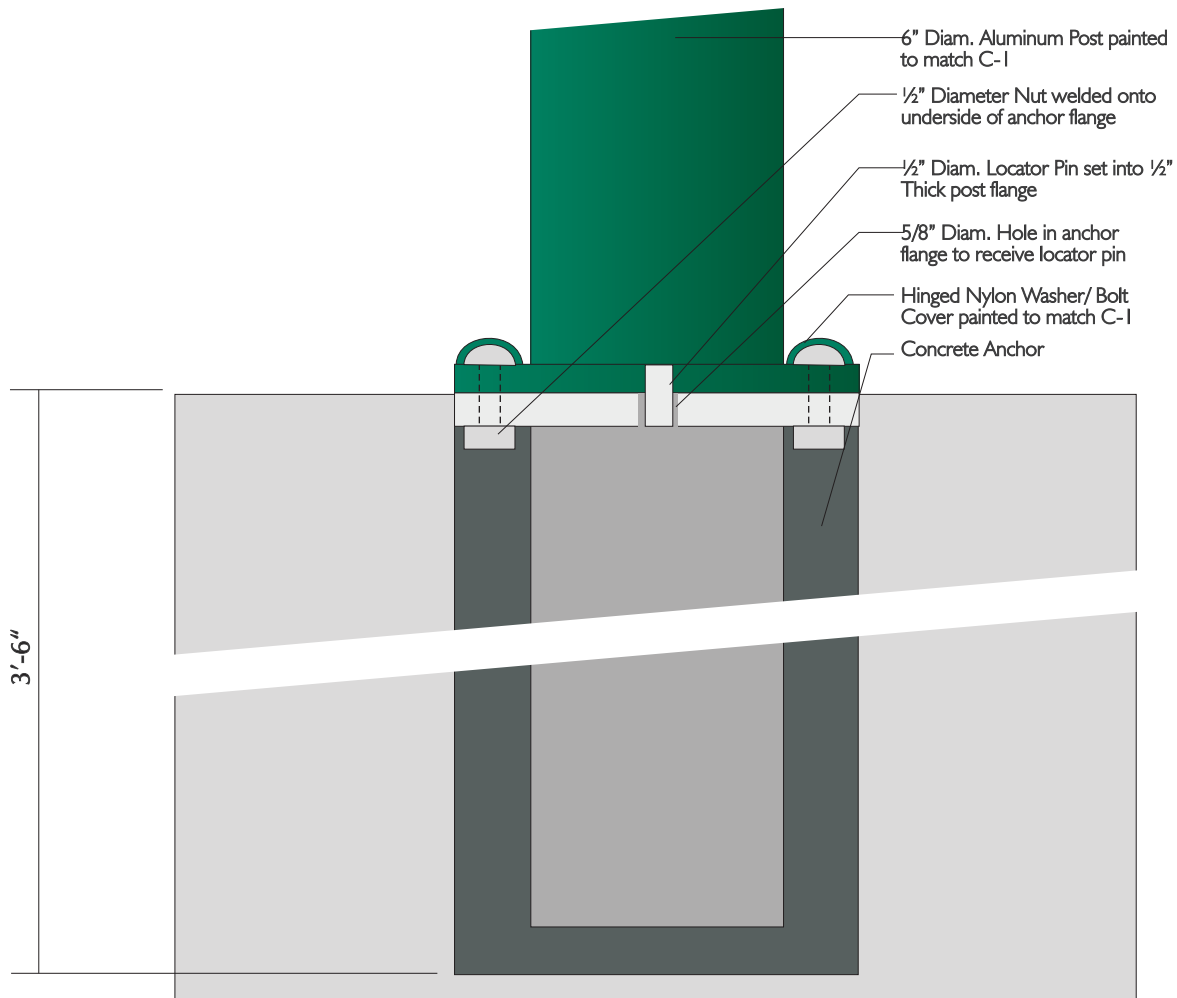
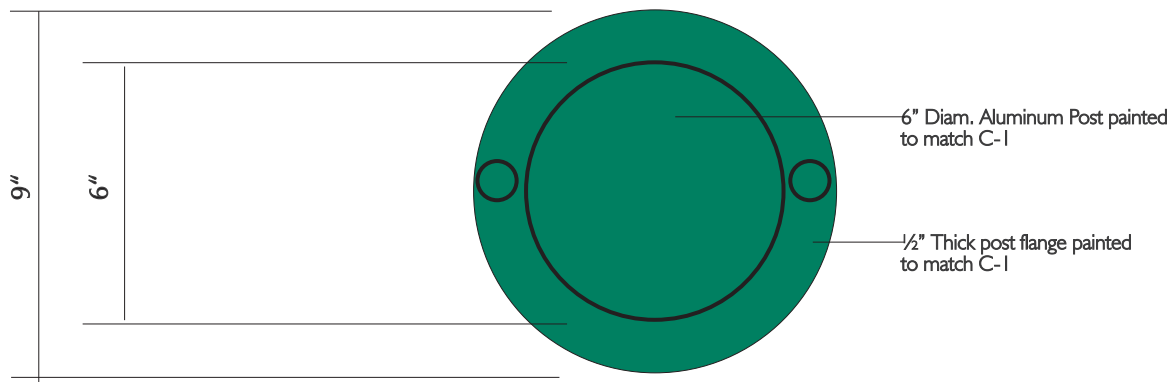


**NOTES:**

1. Sign Post to be 6" Diameter Aluminum with angled planes fabricated as shown above.
2. Message Panel to be GRT Logo applied on .125" thick Fused Resin panel and beveled on bottom edge to match angle of bottom shelf. Graphic rules to bleed right and left. All exposed edges to be sanded and painted to match C-1. Attach Message Panel with 3M Brand .020" thick VHB adhesive over 100% of back surface.
3. Post to be direct embedded into 42" concrete anchor with minimum 16" diameter unless otherwise noted in message schedule.
4. See Detail S-6A for special removable mount applicable as required.

**Type F-1 Trail Marker**

**Genesee Riverway Trail Signage**

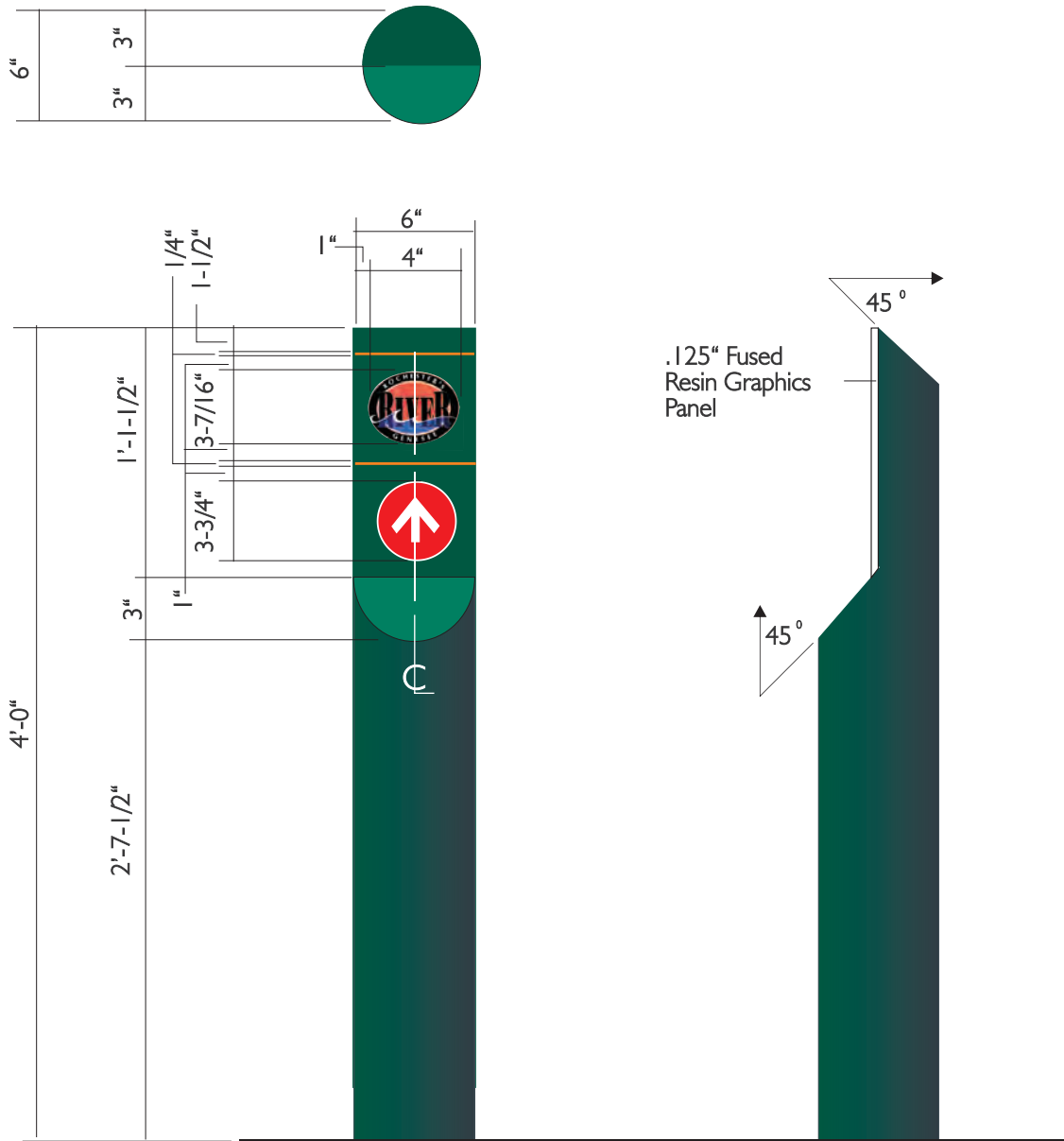


**NOTES:**

1. Removable Sign Post to be 6" Diameter Aluminum welded to 9" diameter post flange that engages 9" diameter anchor flange as shown above.
2. All above grade components to be painted to match C-1 (Green).

**Type F-2 Removable Trail Marker**

**Genesee Riverway Trail Signage**



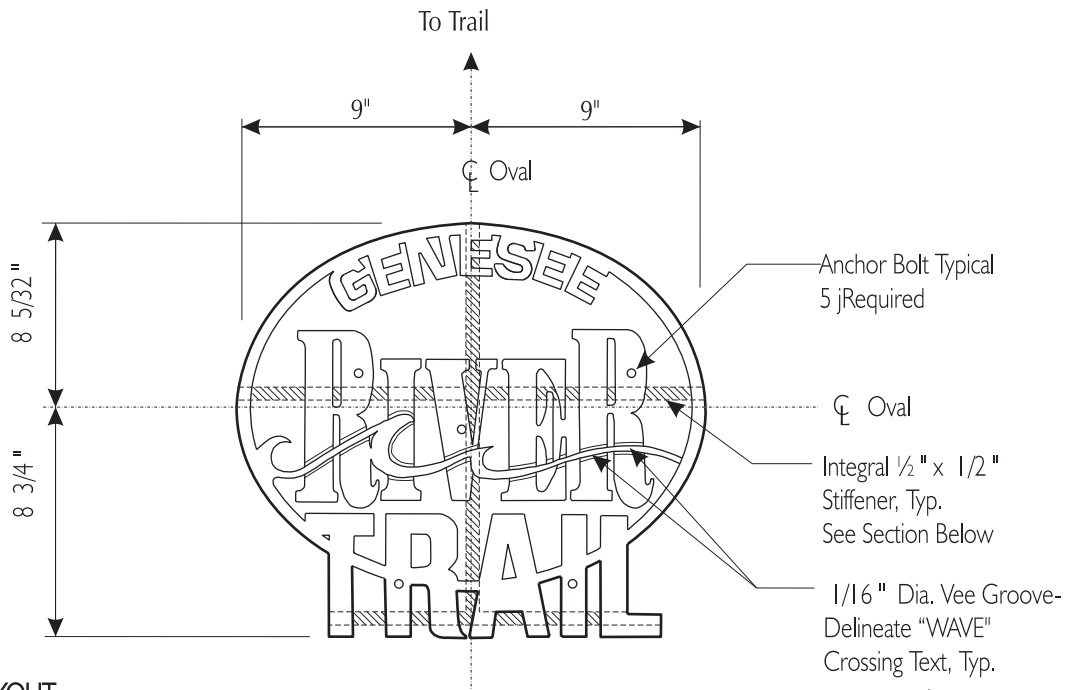
**NOTES:**

1. **Materials, fabrication and mounting same as Type F-1.**
2. **Sign content may include between one and four circular arrow symbols. Where more than one arrow symbol is employed, each symbol will be 1-1/2".**

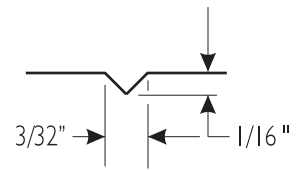
**Type F-3 Directional Trail Marker**

**Genesee Riverway Trail Signage**

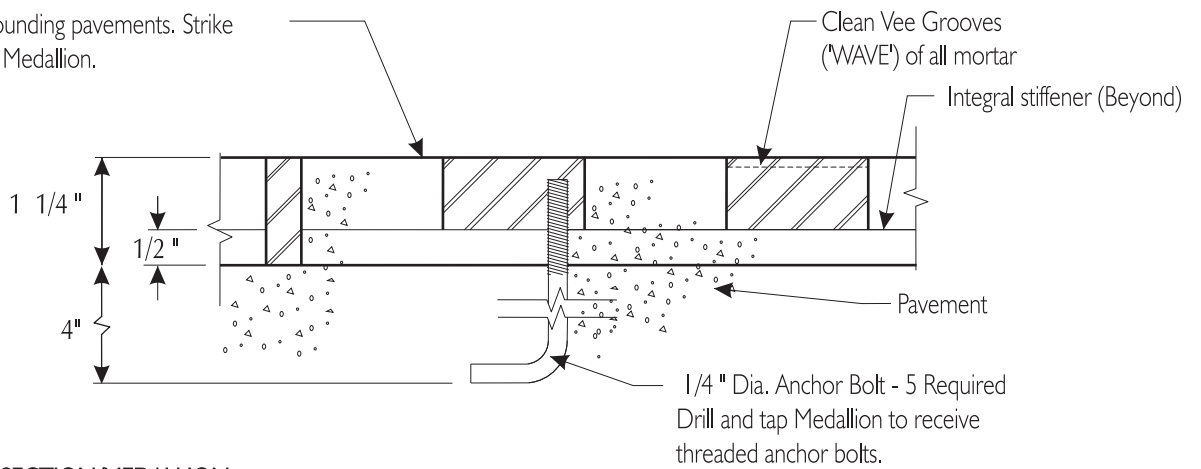




MEDALLION LAYOUT



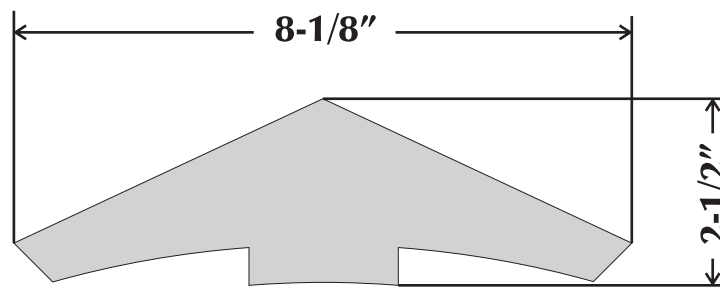
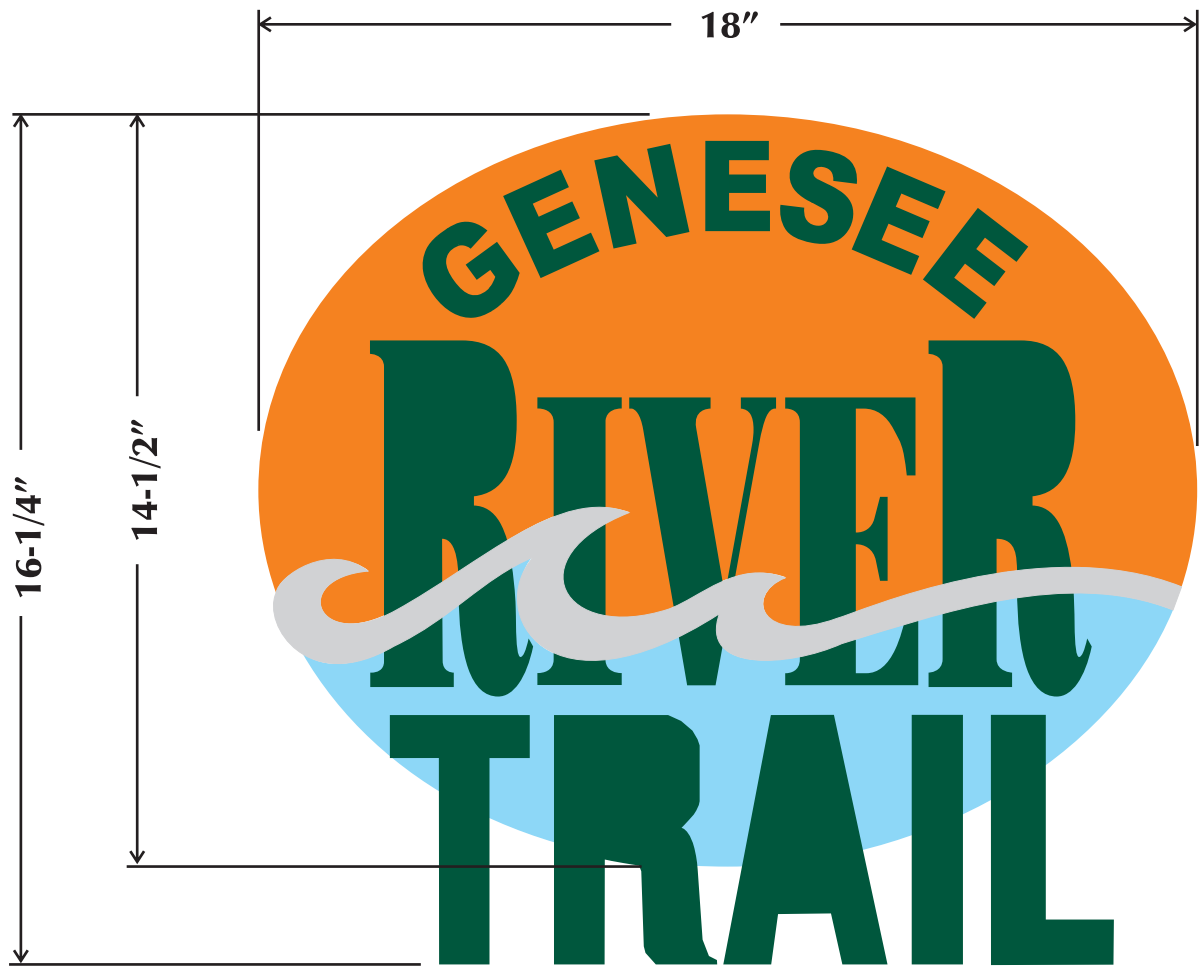
Raked portions of Medallion set flush with surrounding pavements. Strike flush with Medallion.



PARTIAL SECTION/MEDALLION

**Type F-4 Cast Medallion**

**Genesee Riverway Trail Signage**

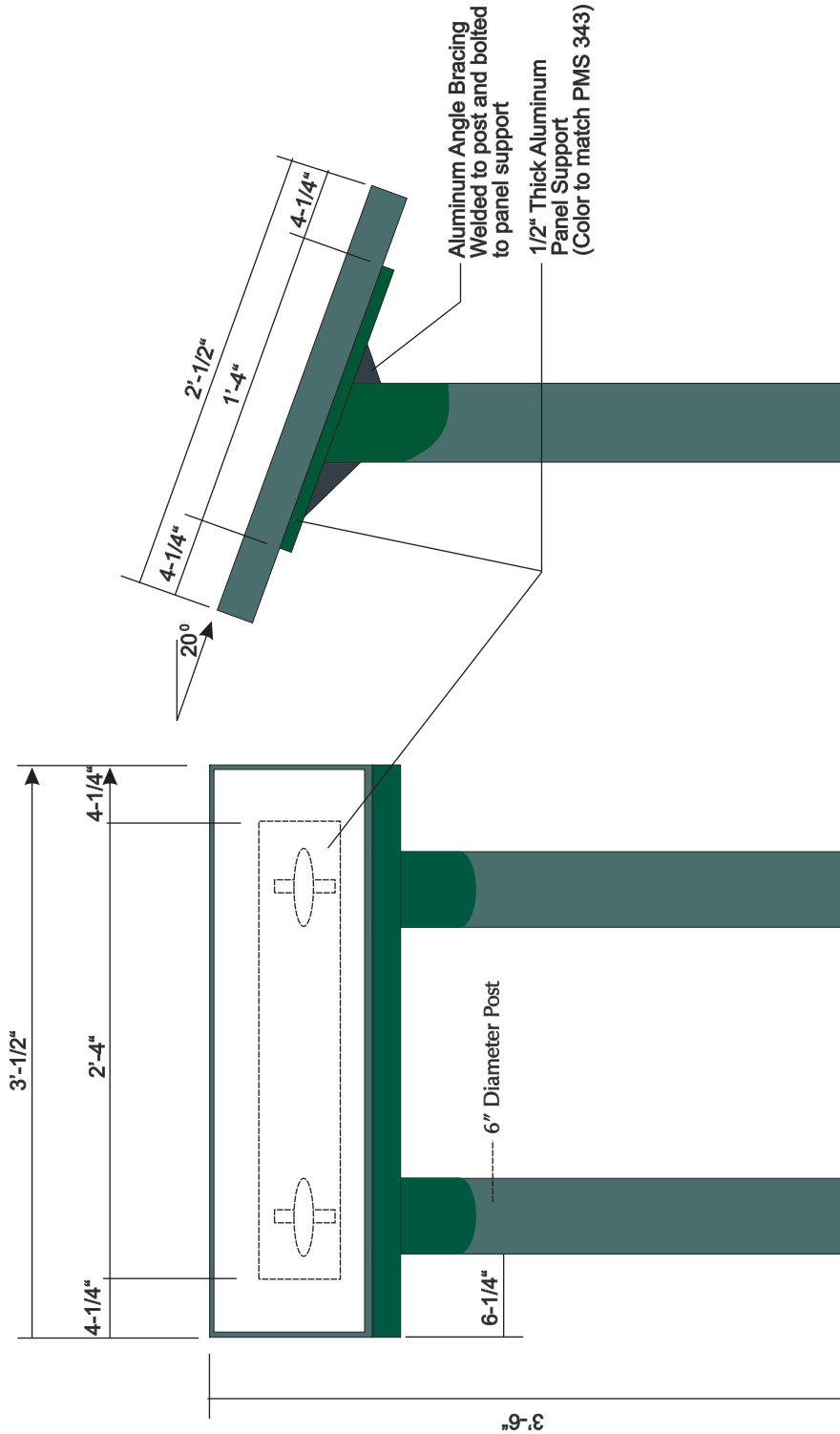


**NOTE:**

1. Thermoplastic logos to be LogoTherm as manufactured by Integrated Paving Concepts Inc., PMB 48 – 936 Peace Portal Drive, Blaine, WA 98230-4040, (800) 688 5652, <http://www.integratedpaving.com/>, or approved equal.
2. Colors shall be dark green (all text), orange (upper half of oval), light blue (lower half of log, and white (arrows and wave). Color samples of all available colors to be provided prior to production.
3. Final placement of logo(s) and arrows to be determined in field prior to installation.

**Type F-5 Thermoplastic Sidewalk Logos**

**Genesee Riverway Trail Signage**

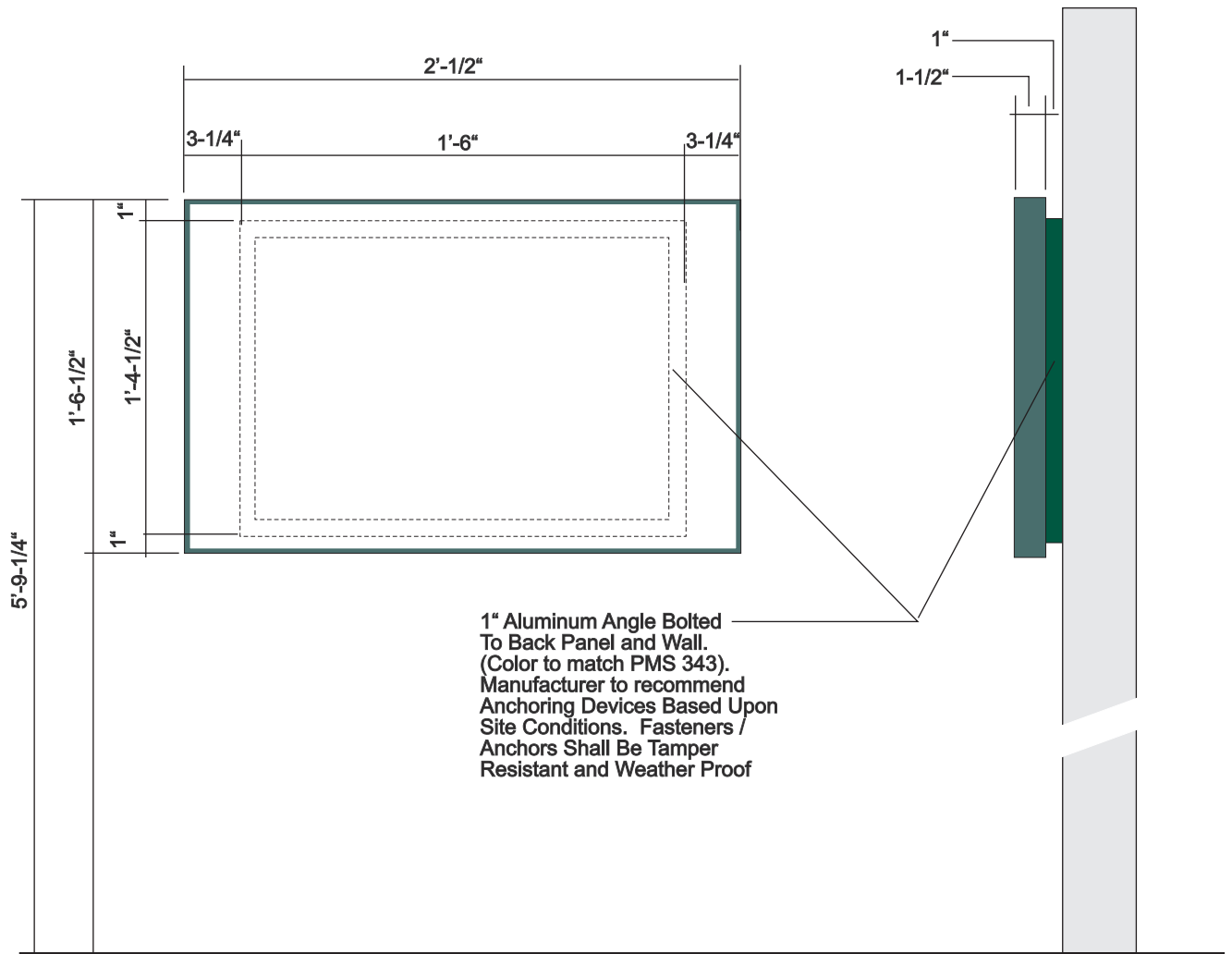


**NOTES:**

1. Materials, fabrication and anchorage same as Type D-1.
2. Solid composite phenolic graphics panel to be 24" by 36".
3. Panel art to be furnished by Owner.

**Type G-1 Free-standing Interpretive**

**Genesee Riverway Trail Signage**

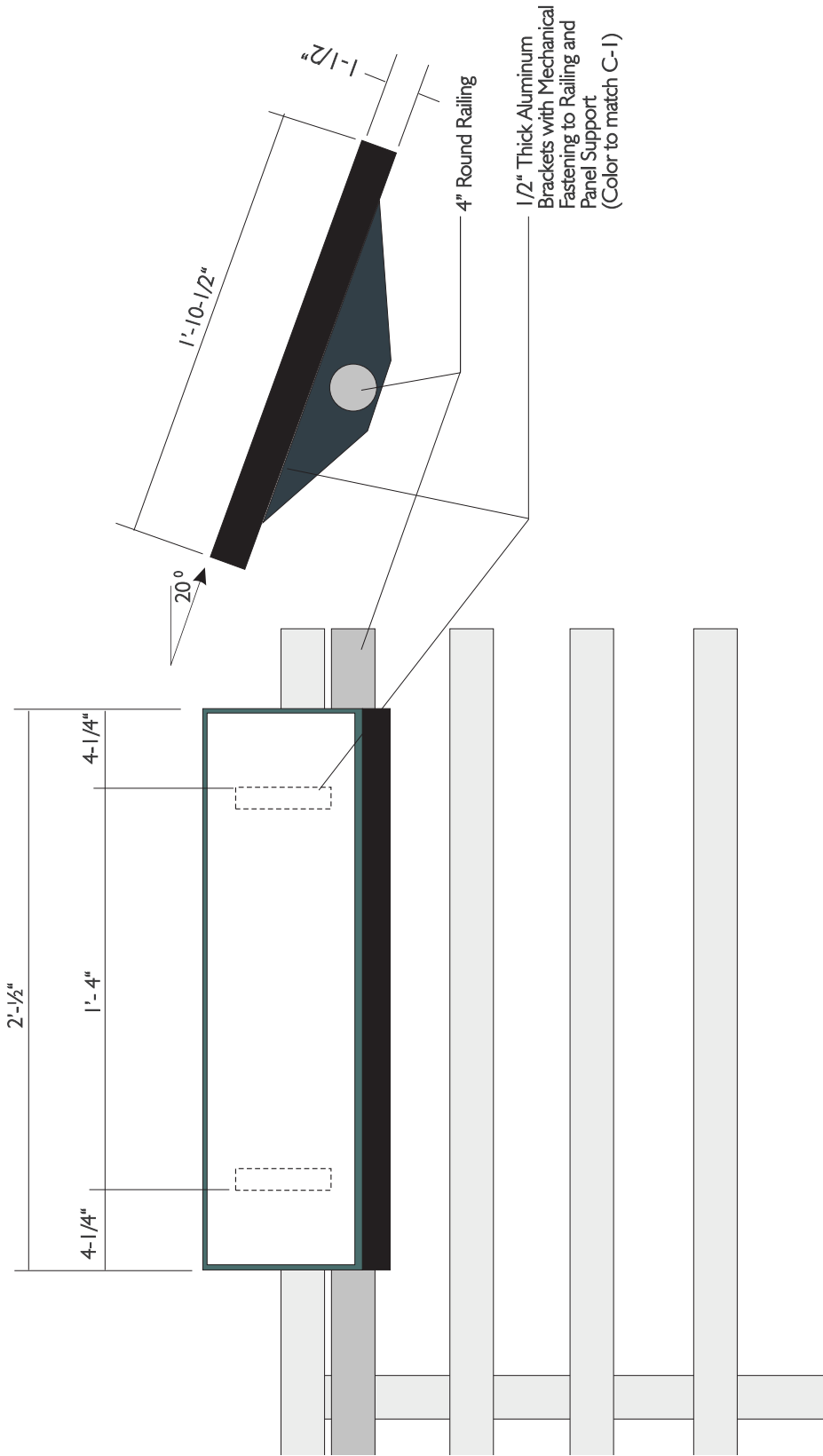


**NOTES:**

1. Materials, fabrication and panel imprinting same as Type G-1.
2. Solid composite phenolic graphics panel to be 18" by 24".
3. Panel art to be furnished by Owner.

**Type G-2 Wall Mounted Interpretive**

**Genesee Riverway Trail Signage**

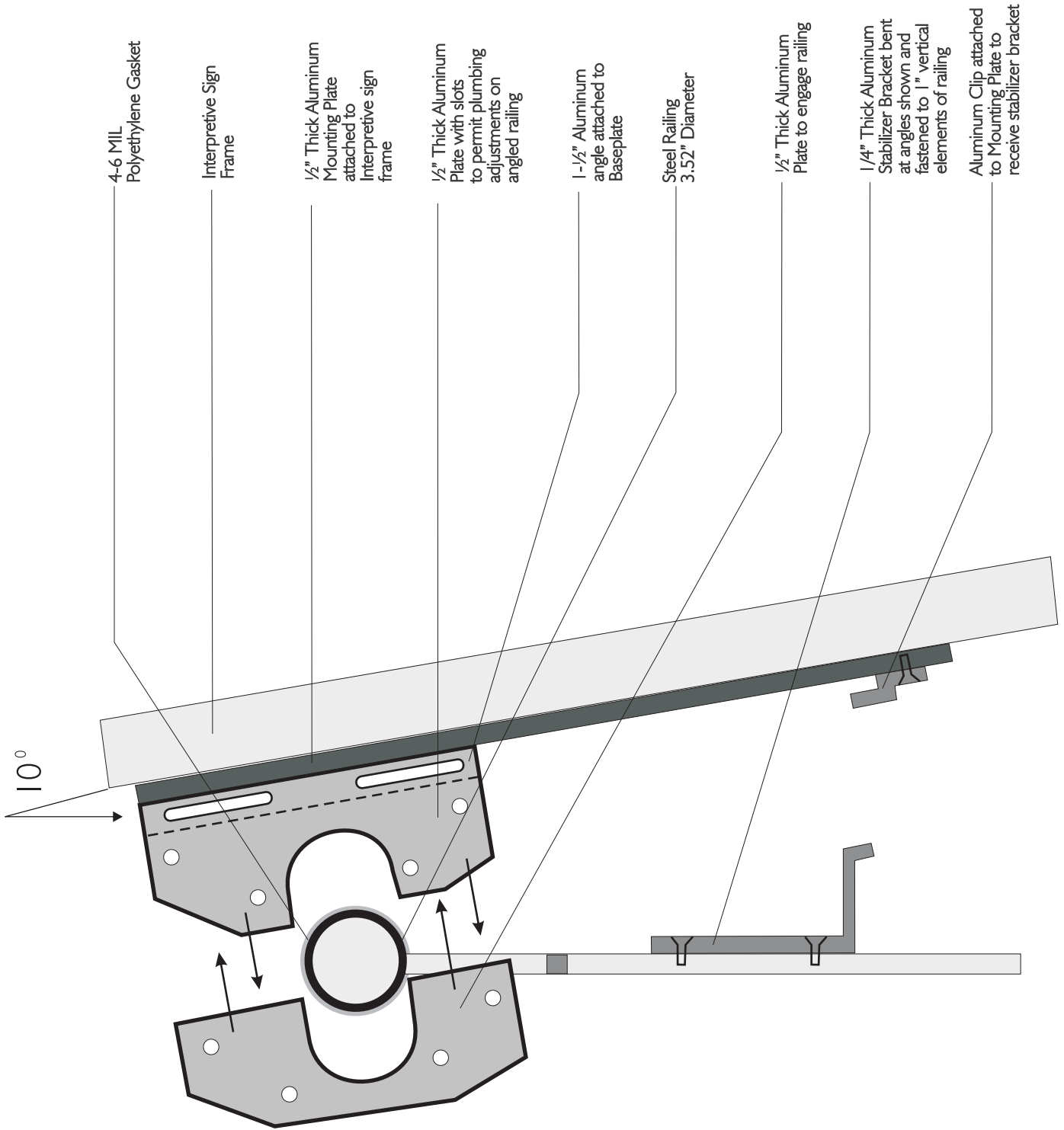


**NOTES:**

1. Materials and fabrication same as Type A-1.
2. Fused Resin Graphics Panel to be 24" by 20".
3. Frame and all visible brackets and hardware to be painted to match C-1 (Green).
4. Panel art to be furnished by owner.

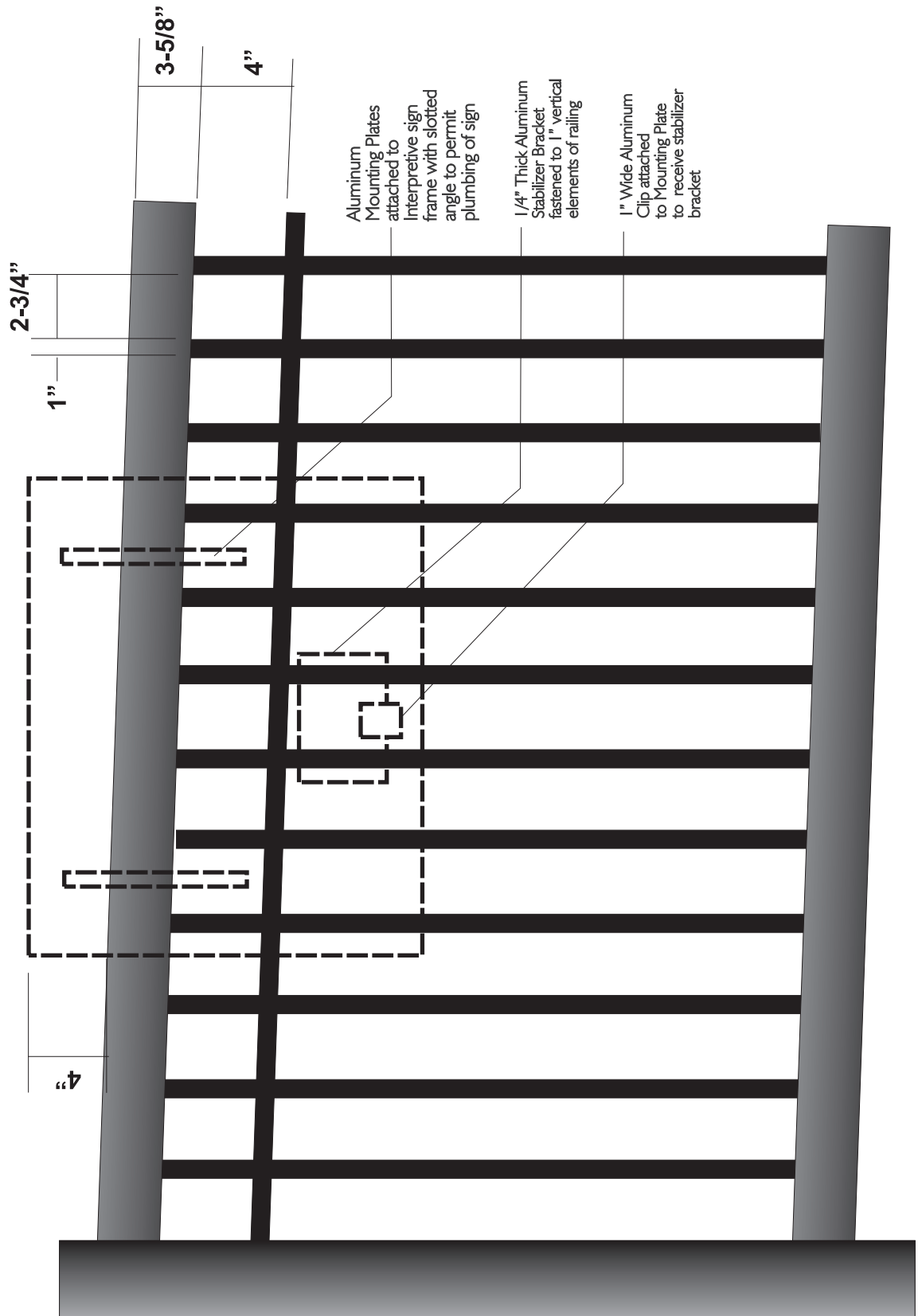
**Type G-3 Rail-Mounted Interpretive**

**Genesee Riverway Trail Signage**



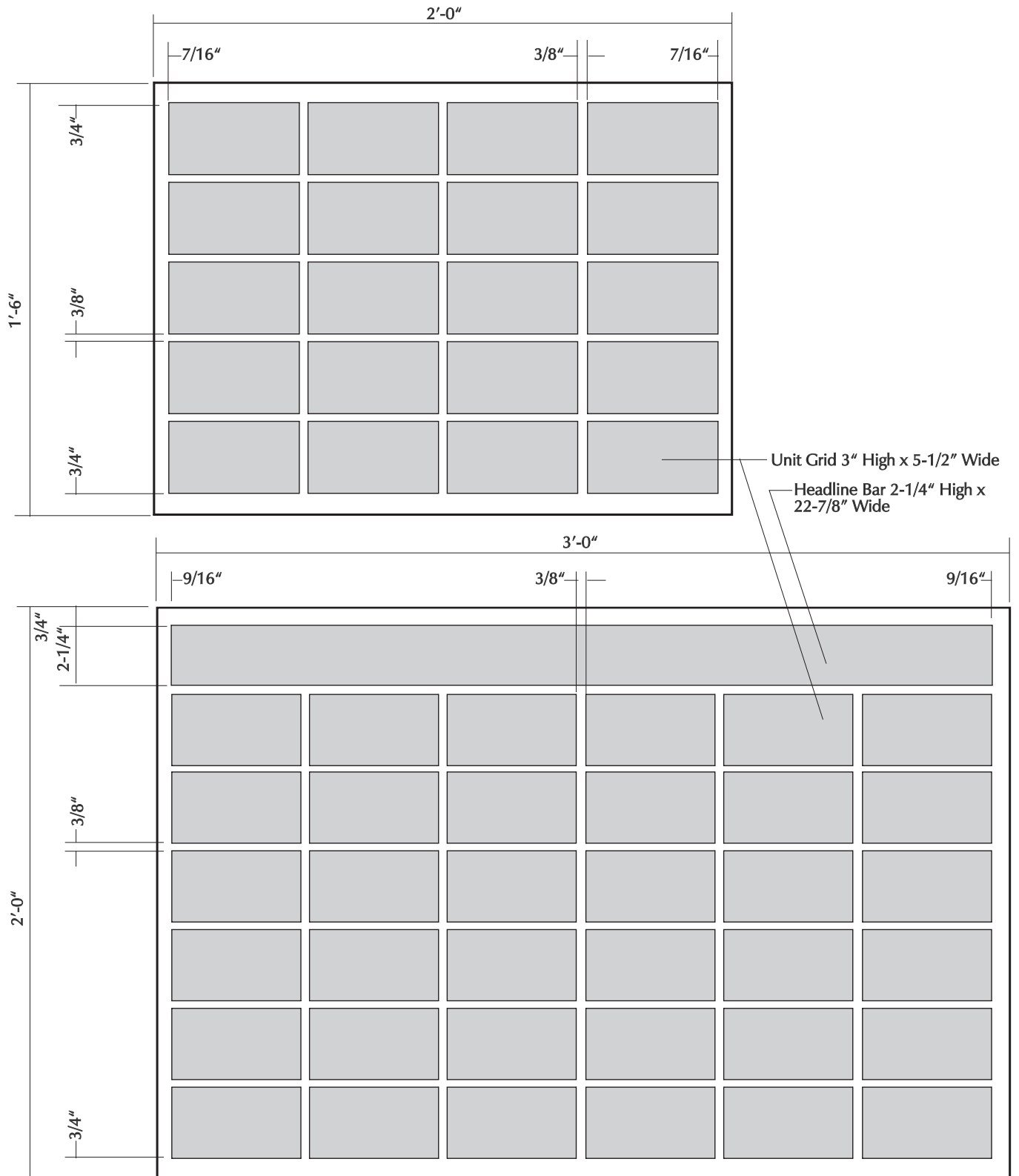
**Type G-3 Mounting Plate**

**Genesee Riverway Trail Signage**



**Type G-3 Mounting**

**Genesee Riverway Trail Signage**



**NOTES:**

1. Unit Grid loosely based on National Park Service Interpretive Panel Layout.

**Type G Interpretive Layout Grids**

**Genesee Riverway Trail Signage**



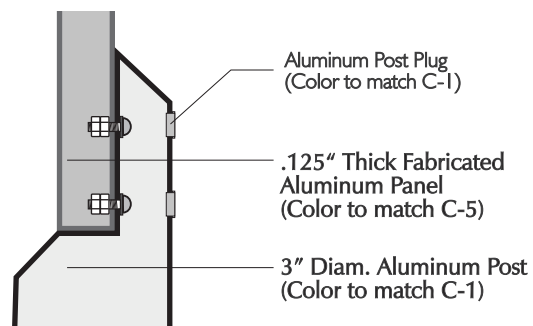
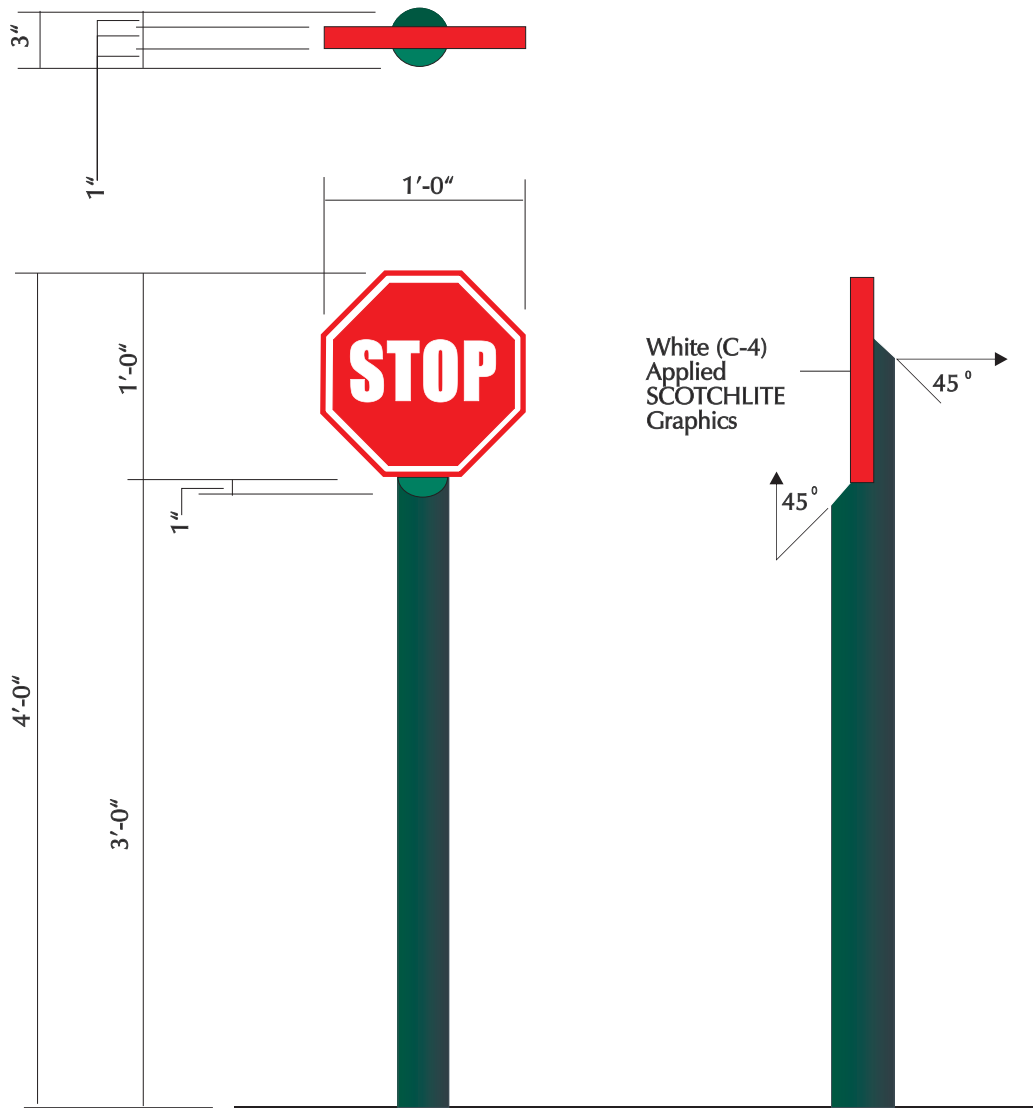
	Type G-1 18" x 24"	Type G-2 24" x 36"
Headline	120 to 140 Optima Semibold	150 to 180 Optima Semibold
Subheadings	36 to 48 Optima Semibold	40 to 60 Optima Semibold
Body Copy	28 to 36 Optima Medium	32 to 40 Optima Semibold
Body Subtitles	38 to 44 Optima Semibold	40 to 48 Optima Semibold
Captions	14 to 20 Optima Medium Italic	18 to 22 Optima Medium Italic

**NOTES:**

1. Use typographic fonts and sizes shown above for Type G-1 and G-2 Interpretive Sign layouts.

**Type G Interpretive Typographic Standards**

**Genesee Riverway Trail Signage**

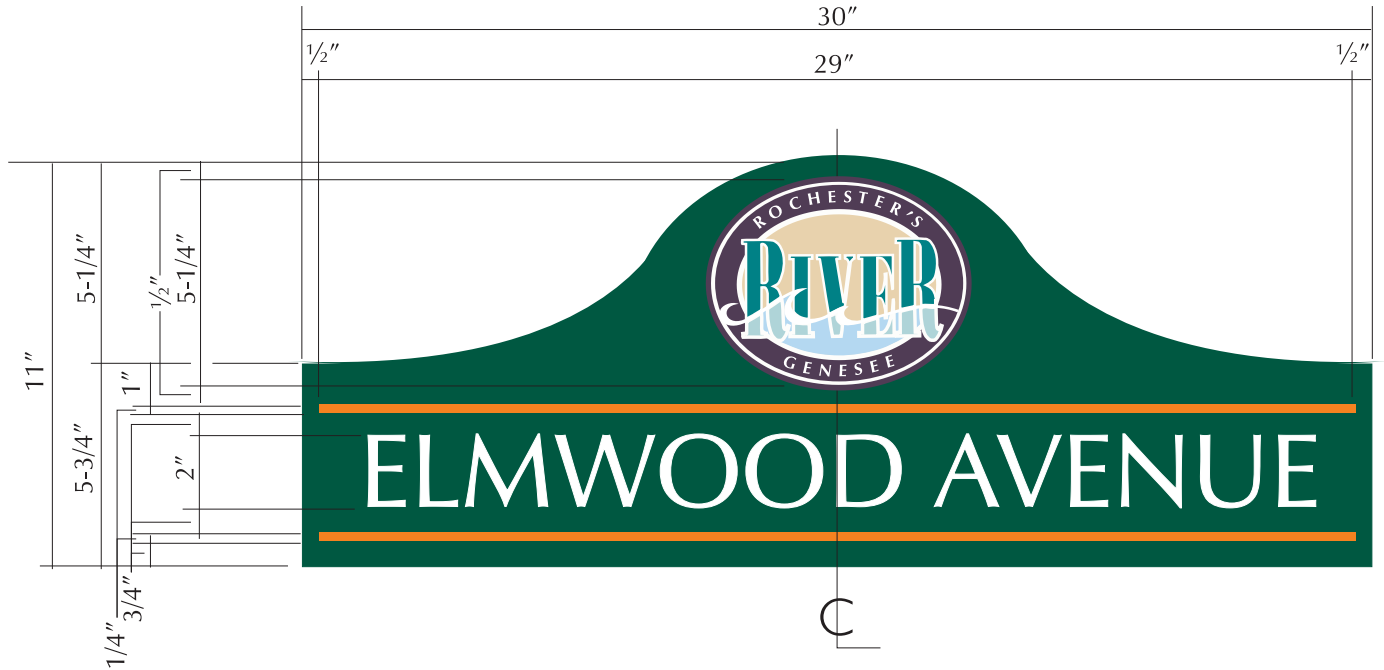


**NOTES:**

1. Sign Post to be 3" Diameter Aluminum with angled planes fabricated as shown above.
2. STOP Sign to be fabricated aluminum box panel with white 3M Reflective SCOTCHLITE vinyl graphics. Attach Sign Panel to post with fasteners and post plugs similar to Type D-1.
3. Post to be direct embedded into 42" concrete anchor with minimum 16" diameter.

**Type H-1 Stop Sign**

**Genesee Riverway Trail Signage**



**Type J-1 Bridge Identification**

**Genesee Riverway Trail Signage**