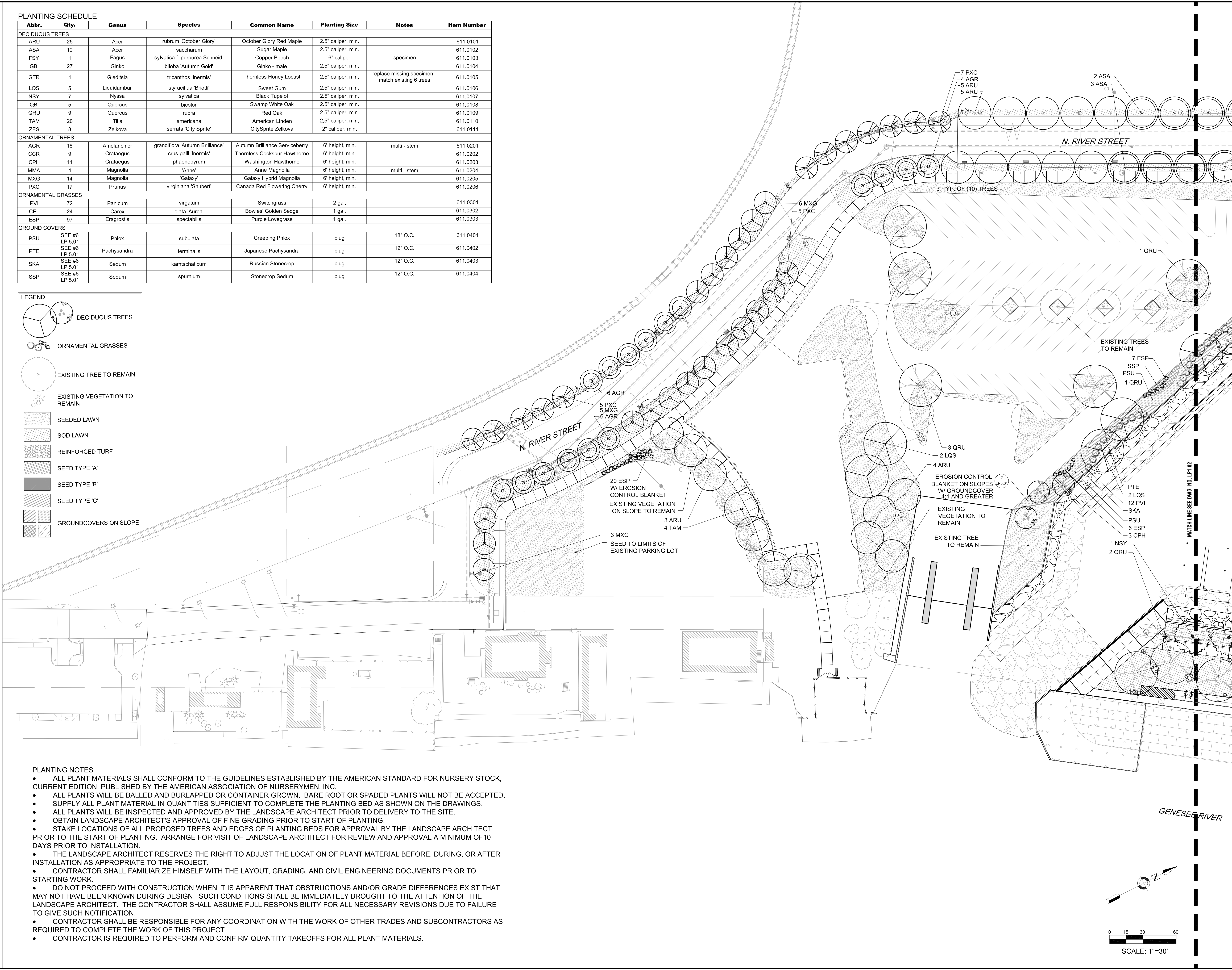


PLANTING SCHEDULE

Abbr.	Qty.	Genus	Species	Common Name	Planting Size	Notes	Item Number
DECIDUOUS TREES							
ARU	25	Acer	rubrum 'October Glory'	October Glory Red Maple	2.5" caliper, min.		611.0101
ASA	10	Acer	saccharum	Sugar Maple	2.5" caliper, min.		611.0102
FSY	1	Fagus	sylvatica f. purpurea Schneid.	Copper Beech	6" caliper	specimen	611.0103
GBI	27	Ginkgo	biloba 'Autumn Gold'	Ginkgo - male	2.5" caliper, min.		611.0104
GTR	1	Gleditsia	tricanthos 'Inermis'	Thornless Honey Locust	2.5" caliper, min.	replace missing specimen - match existing 6 trees	611.0105
LQS	5	Liquidambar	styraciflua 'Briotti'	Sweet Gum	2.5" caliper, min.		611.0106
NSY	7	Nyssa	sylvatica	Black Tupeloid	2.5" caliper, min.		611.0107
QBI	5	Quercus	bicolor	Swamp White Oak	2.5" caliper, min.		611.0108
QRU	9	Quercus	rubra	Red Oak	2.5" caliper, min.		611.0109
TAM	20	Tilia	americana	American Linden	2.5" caliper, min.		611.0110
ZES	8	Zelkova	serrata 'City Sprite'	CitySprite Zelkova	2" caliper, min.		611.0111
ORNAMENTAL TREES							
AGR	16	Amelanchier	grandiflora 'Autumn Brilliance'	Autumn Brilliance Serviceberry	6' height, min.	multi - stem	611.0201
CCR	9	Crataegus	crus-galli 'Inermis'	Thornless Cockspur Hawthorne	6' height, min.		611.0202
CPH	11	Crataegus	phaenopyrum	Washington Hawthorne	6' height, min.		611.0203
MMA	4	Magnolia	'Anne'	Anne Magnolia	6' height, min.	multi - stem	611.0204
MXG	14	Magnolia	'Galaxy'	Galaxy Hybrid Magnolia	6' height, min.		611.0205
PXC	17	Prunus	virginiana 'Shubert'	Canada Red Flowering Cherry	6' height, min.		611.0206
ORNAMENTAL GRASSES							
PVI	72	Panicum	virgatum	Switchgrass	2 gal.		611.0301
CEL	24	Carex	elata 'Aurea'	Bowles' Golden Sedge	1 gal.		611.0302
ESP	97	Eragrostis	spectabilis	Purple Lovegrass	1 gal.		611.0303
GROUND COVERS							
PSU	SEE #6 LP 5.01	Phlox	subulata	Creeping Phlox	plug	18" O.C.	611.0401
PTE	SEE #6 LP 5.01	Pachysandra	terminalis	Japanese Pachysandra	plug	12" O.C.	611.0402
SKA	SEE #6 LP 5.01	Sedum	kamtschaticum	Russian Stonecrop	plug	12" O.C.	611.0403
SSP	SEE #6 LP 5.01	Sedum	spurnium	Stonecrop Sedum	plug	12" O.C.	611.0404

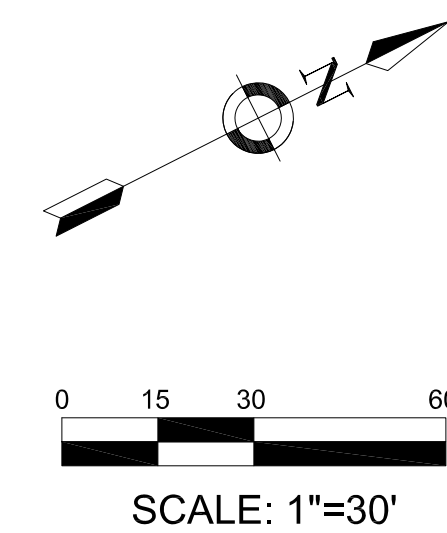
LEGEND

- DECIDUOUS TREES
- ORNAMENTAL GRASSES
- EXISTING TREE TO REMAIN
- EXISTING VEGETATION TO REMAIN
- SEEDED LAWN
- SOD LAWN
- REINFORCED TURF
- SEED TYPE 'A'
- SEED TYPE 'B'
- SEED TYPE 'C'
- GROUNDCOVERS ON SLOPE



PLANTING NOTES

- ALL PLANT MATERIALS SHALL CONFORM TO THE GUIDELINES ESTABLISHED BY THE AMERICAN STANDARD FOR NURSERY STOCK, CURRENT EDITION, PUBLISHED BY THE AMERICAN ASSOCIATION OF NURSERYMEN, INC.
- ALL PLANTS WILL BE BALLED AND BURLAPPED OR CONTAINER GROWN. BARE ROOT OR SPADED PLANTS WILL NOT BE ACCEPTED.
- SUPPLY ALL PLANT MATERIAL IN QUANTITIES SUFFICIENT TO COMPLETE THE PLANTING BED AS SHOWN ON THE DRAWINGS.
- ALL PLANTS WILL BE INSPECTED AND APPROVED BY THE LANDSCAPE ARCHITECT PRIOR TO DELIVERY TO THE SITE.
- OBTAIN LANDSCAPE ARCHITECT'S APPROVAL OF FINE GRADING PRIOR TO START OF PLANTING.
- STAKE LOCATIONS OF ALL PROPOSED TREES AND EDGES OF PLANTING BEDS FOR APPROVAL BY THE LANDSCAPE ARCHITECT PRIOR TO THE START OF PLANTING. ARRANGE FOR VISIT OF LANDSCAPE ARCHITECT FOR REVIEW AND APPROVAL A MINIMUM OF 10 DAYS PRIOR TO INSTALLATION.
- THE LANDSCAPE ARCHITECT RESERVES THE RIGHT TO ADJUST THE LOCATION OF PLANT MATERIAL BEFORE, DURING, OR AFTER INSTALLATION AS APPROPRIATE TO THE PROJECT.
- CONTRACTOR SHALL FAMILIARIZE HIMSELF WITH THE LAYOUT, GRADING, AND CIVIL ENGINEERING DOCUMENTS PRIOR TO STARTING WORK.
- DO NOT PROCEED WITH CONSTRUCTION WHEN IT IS APPARENT THAT OBSTRUCTIONS AND/OR GRADE DIFFERENCES EXIST THAT MAY NOT HAVE BEEN KNOWN DURING DESIGN. SUCH CONDITIONS SHALL BE IMMEDIATELY BROUGHT TO THE ATTENTION OF THE LANDSCAPE ARCHITECT. THE CONTRACTOR SHALL ASSUME FULL RESPONSIBILITY FOR ALL NECESSARY REVISIONS DUE TO FAILURE TO GIVE SUCH NOTIFICATION.
- CONTRACTOR SHALL BE RESPONSIBLE FOR ANY COORDINATION WITH THE WORK OF OTHER TRADES AND SUBCONTRACTORS AS REQUIRED TO COMPLETE THE WORK OF THIS PROJECT.
- CONTRACTOR IS REQUIRED TO PERFORM AND CONFIRM QUANTITY TAKEOFFS FOR ALL PLANT MATERIALS.



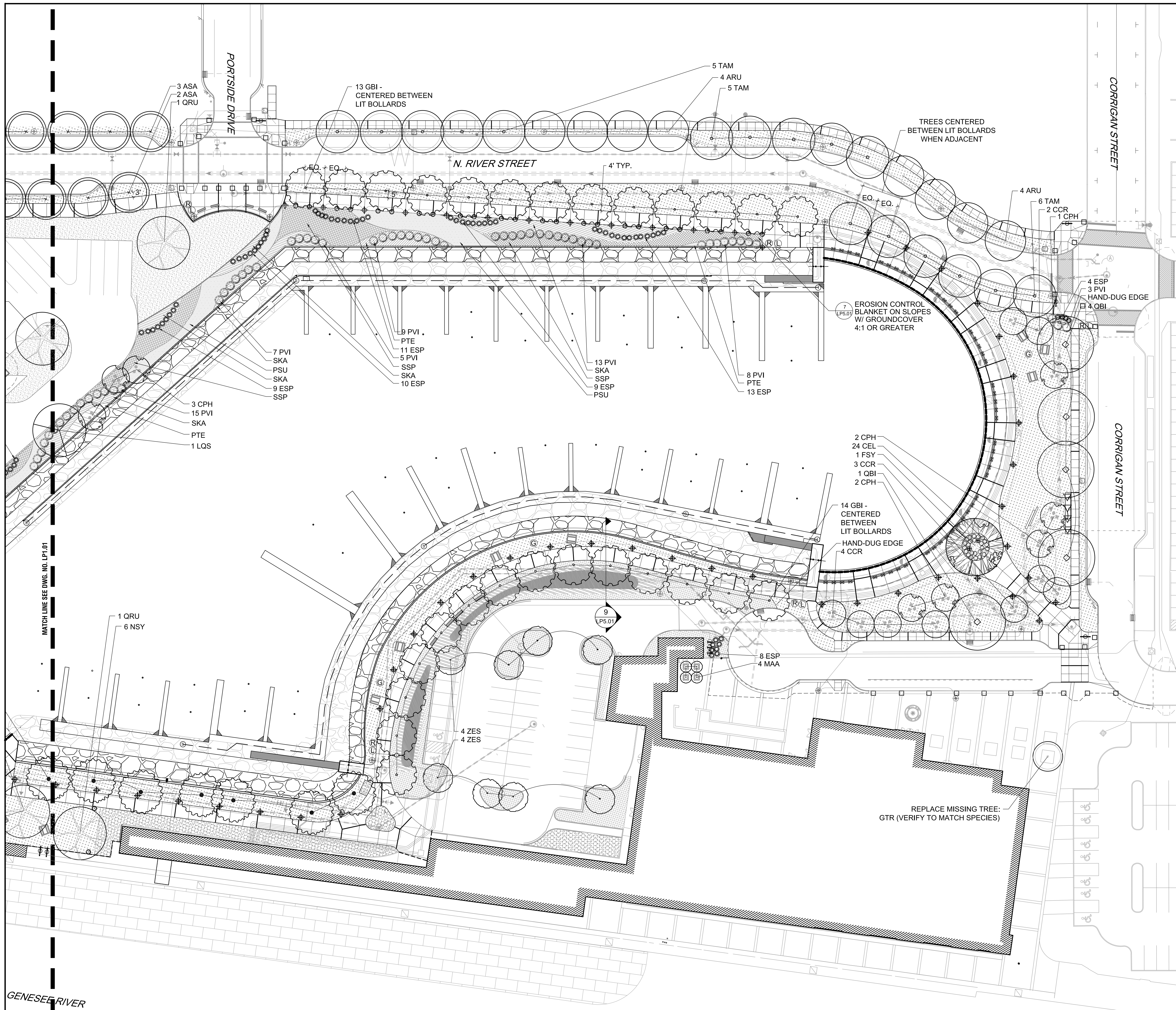
NO.	DATE	REVISION

As a condition of New York Executive Law Article 161, Section 1702b, for any person, unless acting under the direction of a licensed architect, professional engineer, or land surveyor to draw or make a plan or map, or to supervise the work of an architect, engineer, or land surveyor in the drawing, engineering, or land surveying, shall affix to the plan, map, or drawing a seal and signature "otherwise" defined by the regulations and rules of such authority, and a specific identification of the authority.

ISSUED FOR
BID

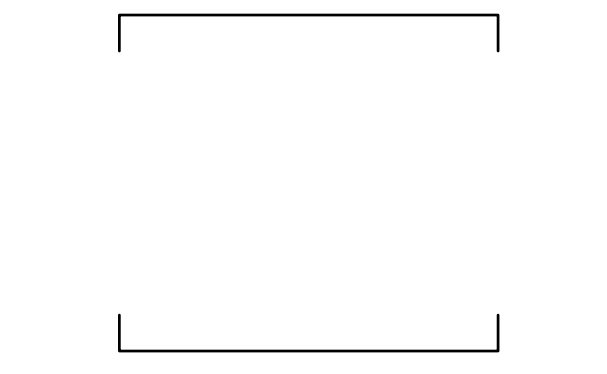
DRAWING TITLE
**PLANTING PLAN
& PLANT SCHEDULE**

DATE: JULY 22, 2013
SCALE: 1" = 30'
DESIGNED BY:
DRAWN BY:
REVIEWED BY:
PROJECT NUMBER: 210660
DRAWING NUMBER:



LEGEND

- DECIDUOUS TREES
- ORNAMENTAL GRASSES
- EXISTING TREE TO REMAIN
- EXISTING VEGETATION TO REMAIN
- SEEDED LAWN
- SOD LAWN
- REINFORCED TURF
- SEED TYPE 'A'
- SEED TYPE 'B'
- SEED TYPE 'C'
- GROUNDCOVERS ON SLOPE



PROJECT/CLIENT
**PORT OF ROCHESTER
MARINA DEVELOPMENT
PROJECT**
ROCHESTER, NY



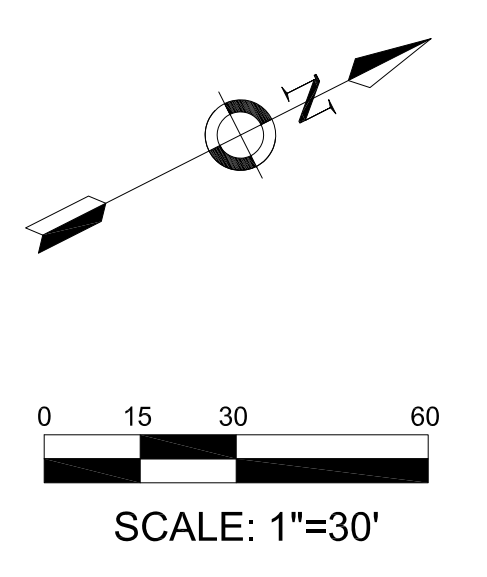
NO.	DATE	REVISION

It is a violation of New York Executive Law Article 161 (encl. 1700) for any person, unless acting under the direction of a licensed architect, professional engineer, or land surveyor, to draw or alter a plan or any other drawing for the work of an architect, engineer, or land surveyor in violation of the above without the signature of such architect, engineer, or land surveyor. It is also a violation of the above for any person to draw or alter a plan or any other drawing for the work of an architect, engineer, or land surveyor in violation of the above without the signature of such architect, engineer, or land surveyor.

ISSUED FOR
BID

DRAWING TITLE
**PLANTING
PLAN**

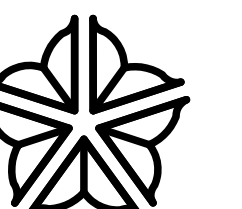
DATE: JULY 22, 2013
SCALE: 1" = 30'
DESIGNED BY:
DRAWN BY:
REVIEWED BY:
PROJECT NUMBER: 210660
DRAWING NUMBER:



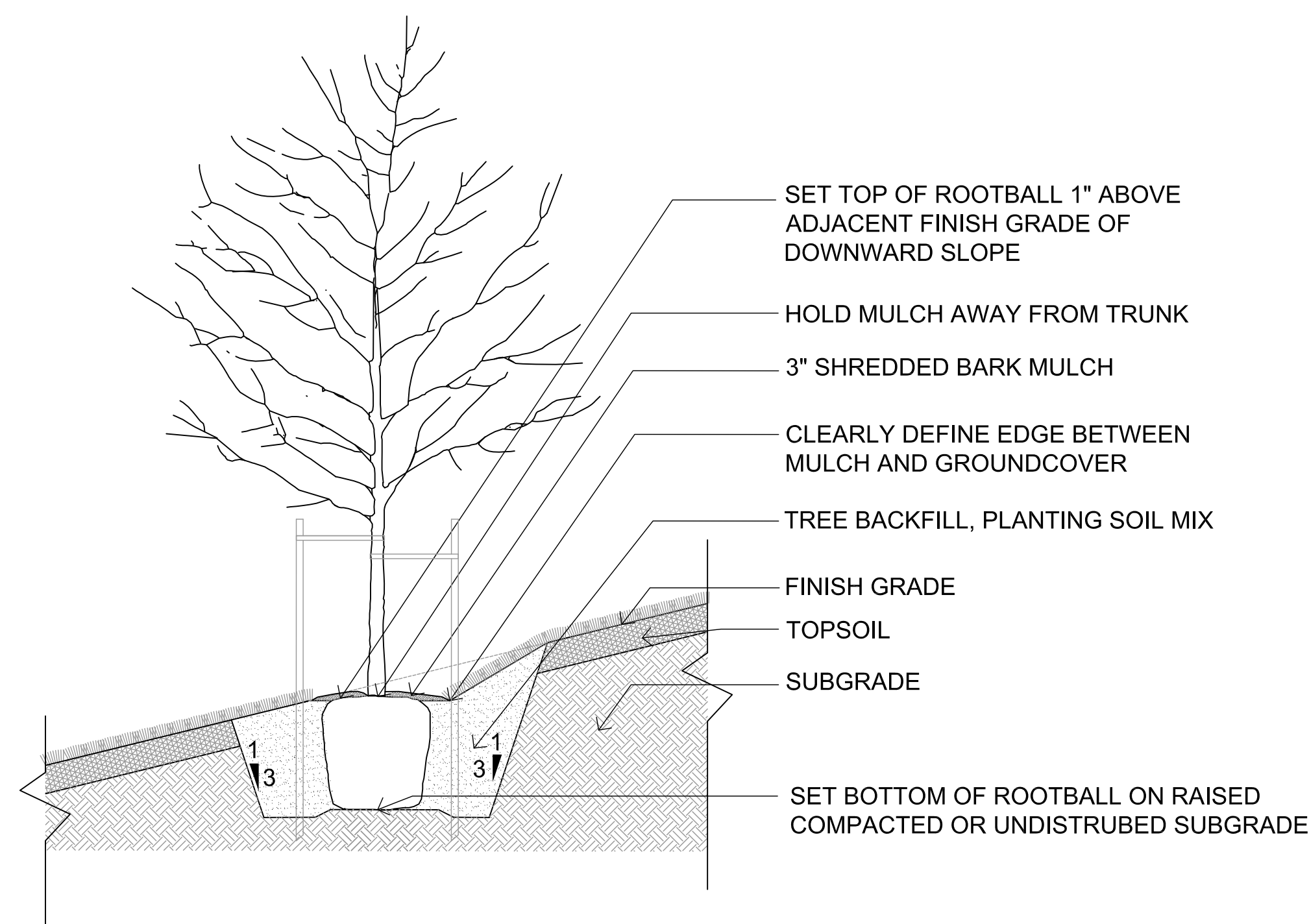


PROJECT/CLIENT

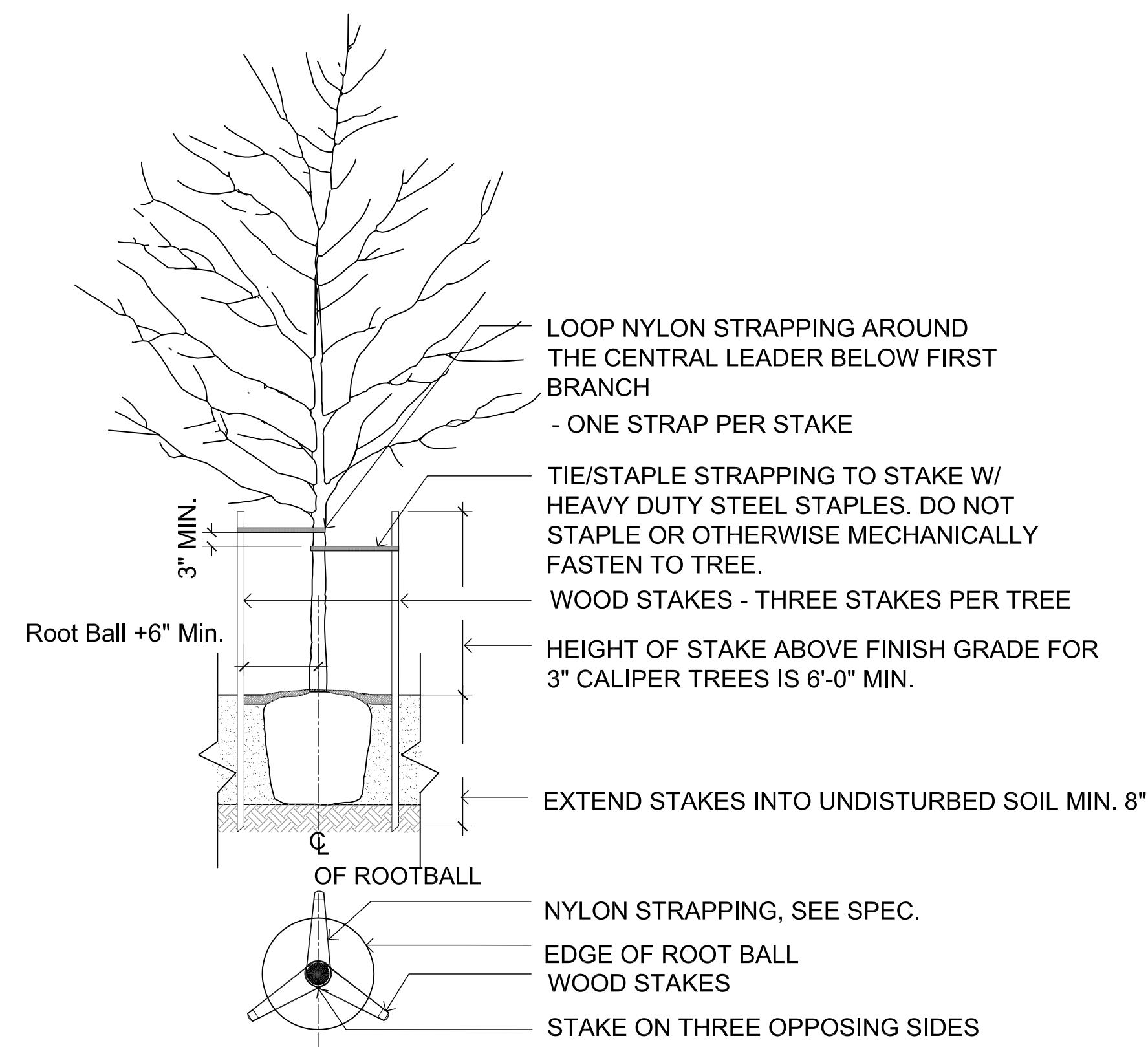
**PORT OF ROCHESTER
MARINA DEVELOPMENT
PROJECT**
ROCHESTER, NY



City of Rochester

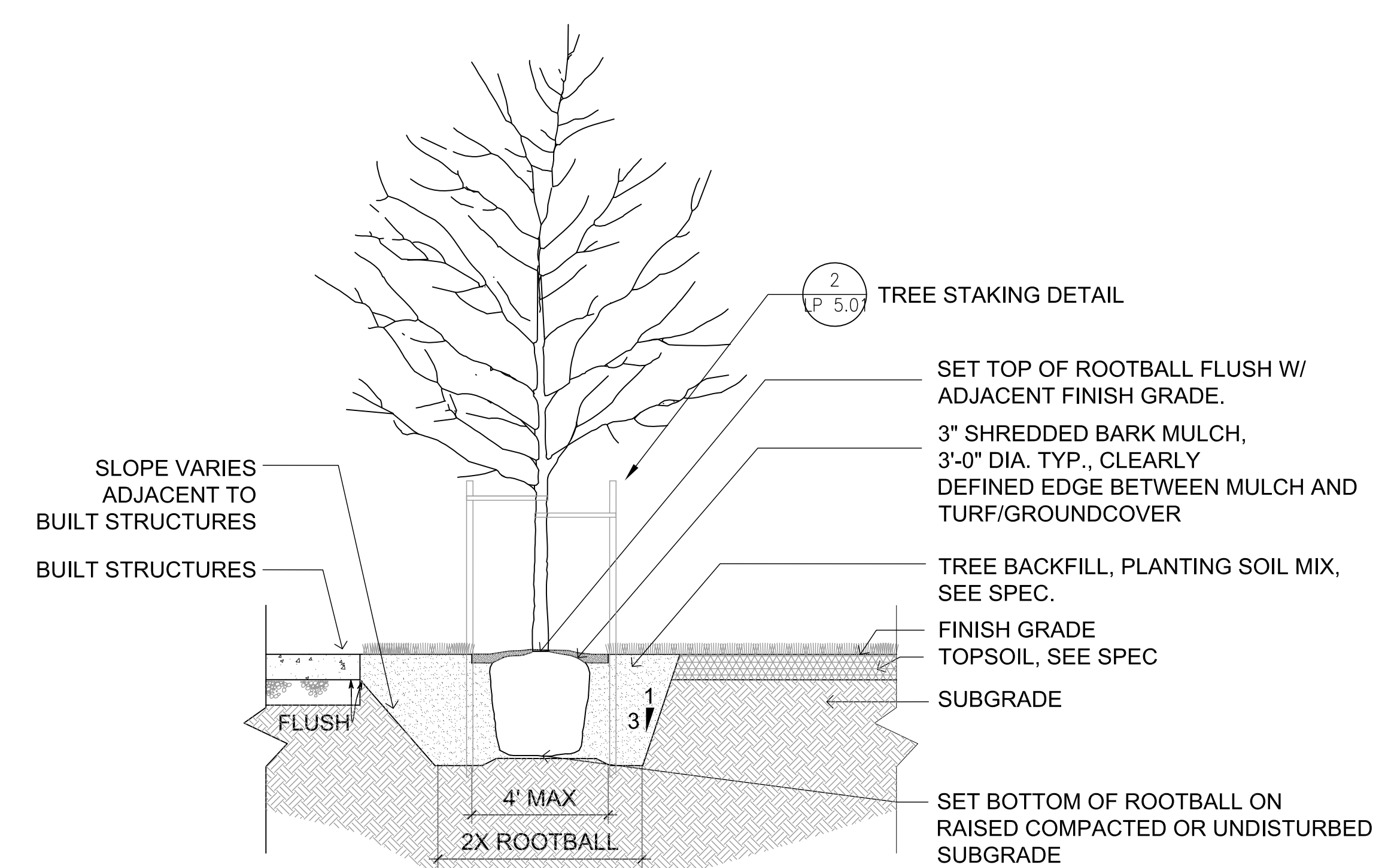


3 TREE PLANTING ON SLOPE DETAIL
NOT TO SCALE

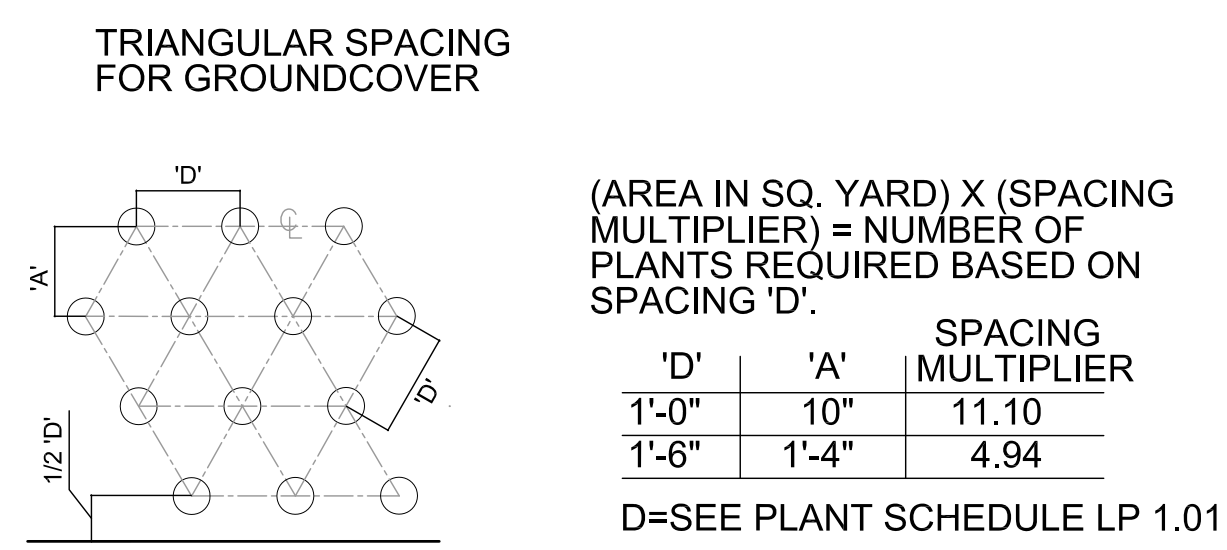


NOTE:
STAKES SHALL BE SPACED AN EQUAL DISTANCE FROM THE CENTRAL LEADER ON ALL TREES OF THE SAME SIZE AND CROWN AREA.

2 TREE STAKING DETAIL
NOT TO SCALE

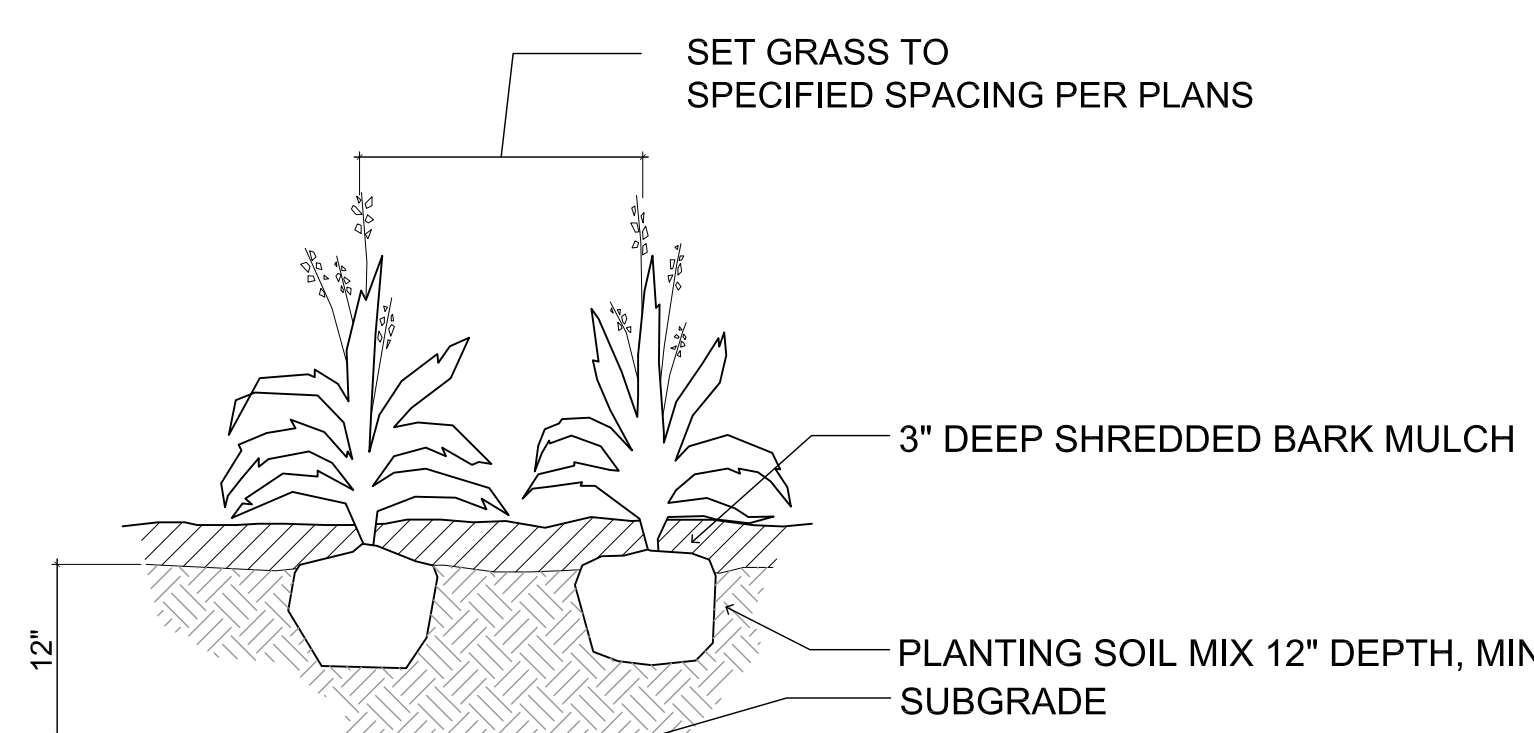


1 TREE PLANTING DETAIL
NOT TO SCALE

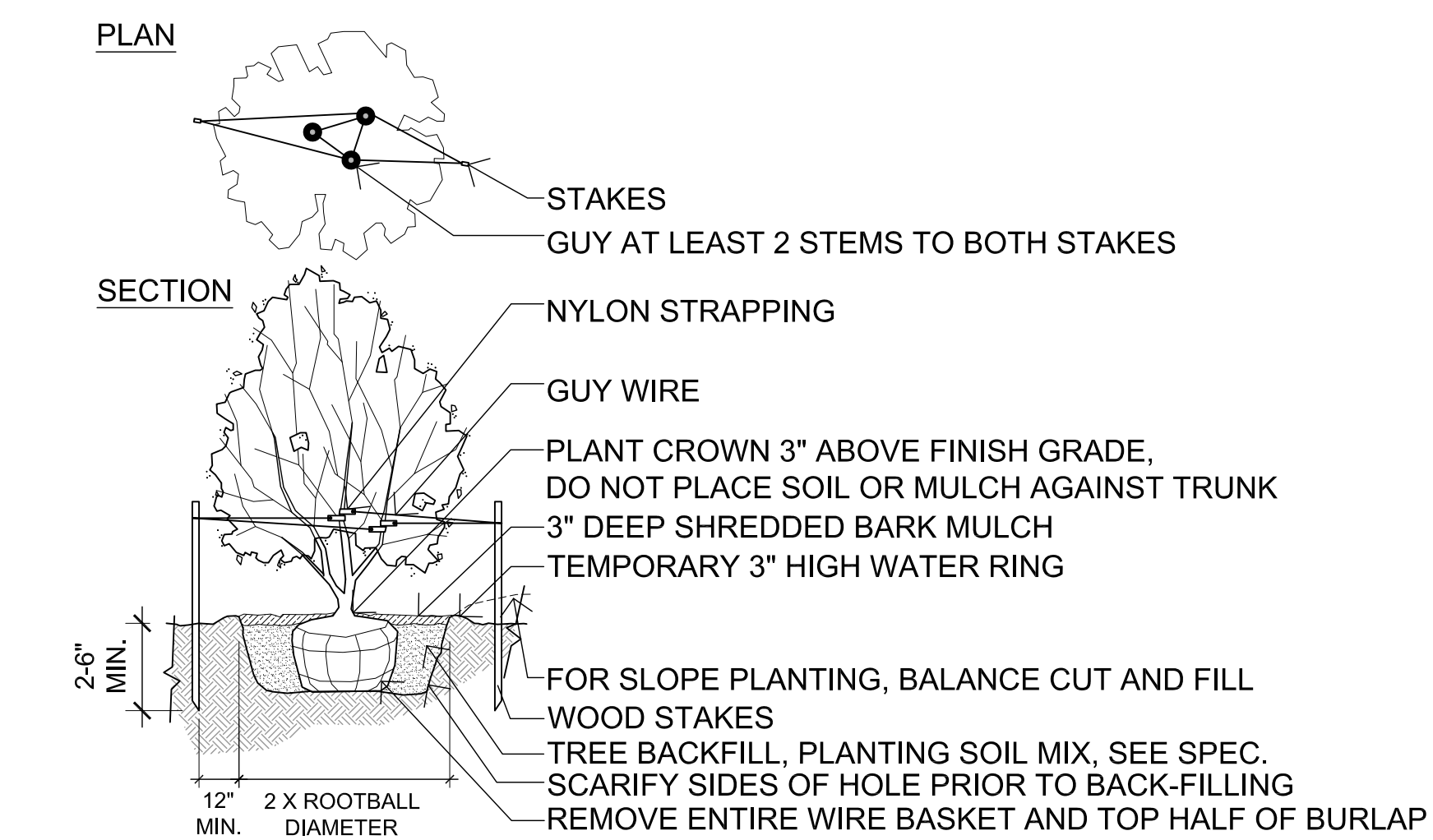


PAVING, CURB, BUILDING, HEADER, OR OTHER FIXED EDGE SHOWING PLANTING AREA LIMIT

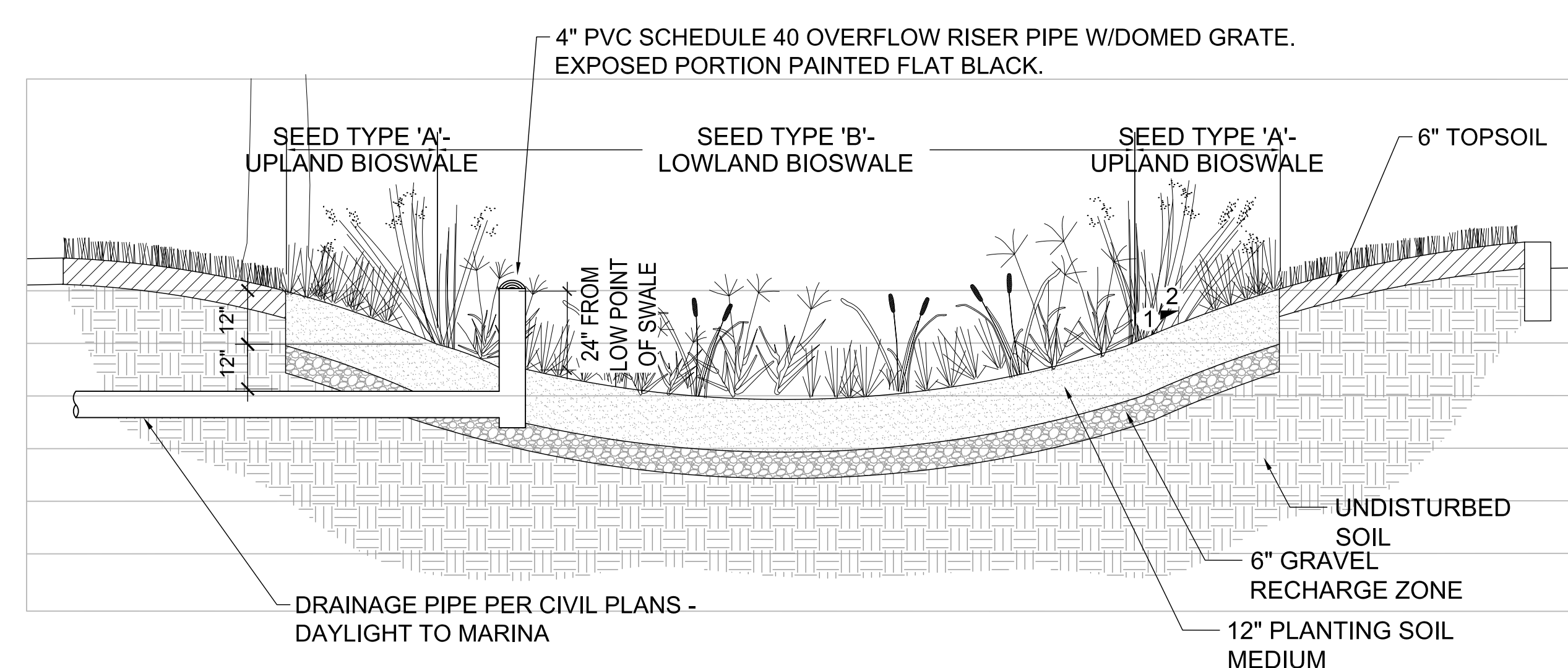
6 GROUNDCOVER PLUG INSTALLATION
NOT TO SCALE



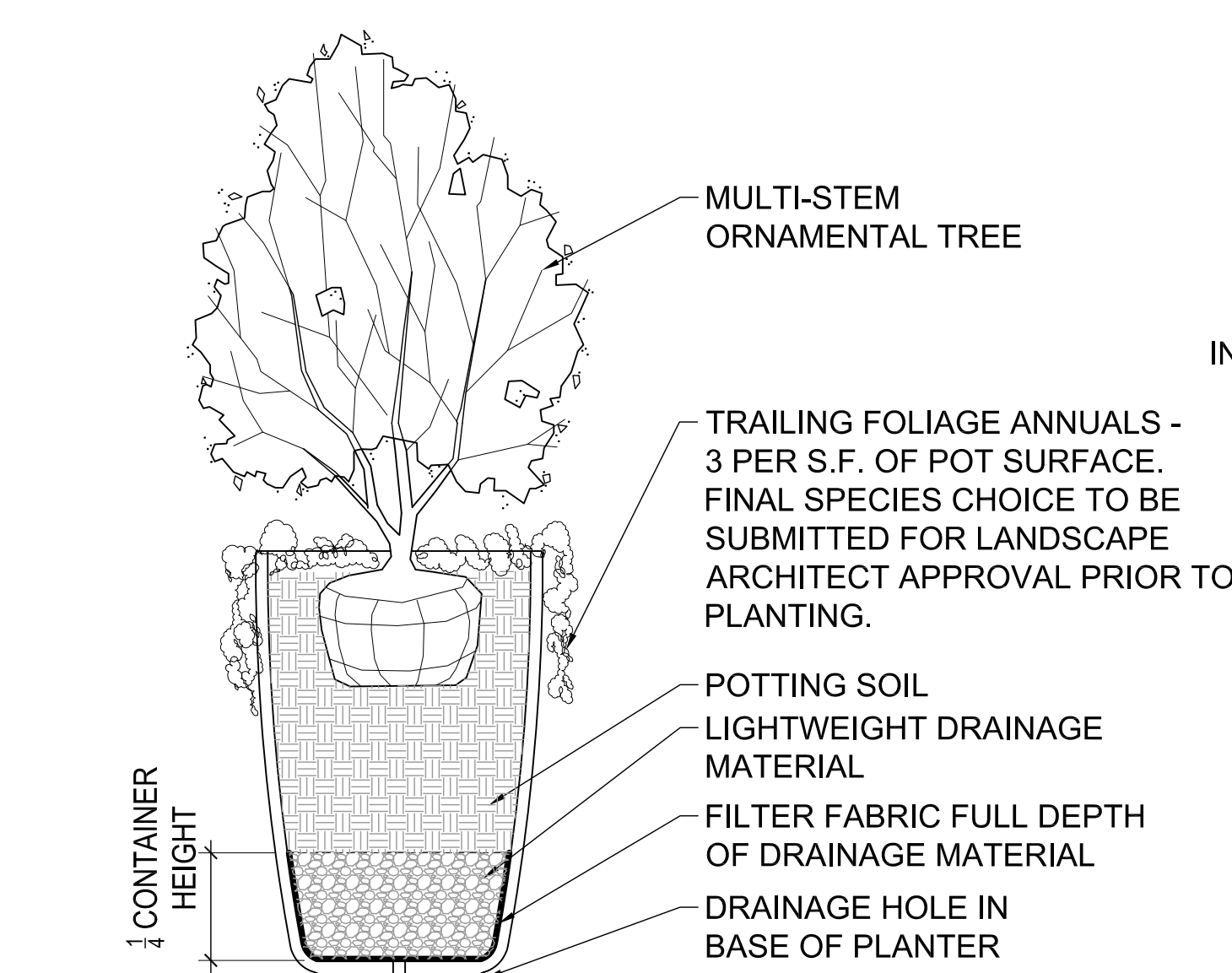
5 ORNAMENTAL GRASS PLANTING DETAIL
NOT TO SCALE



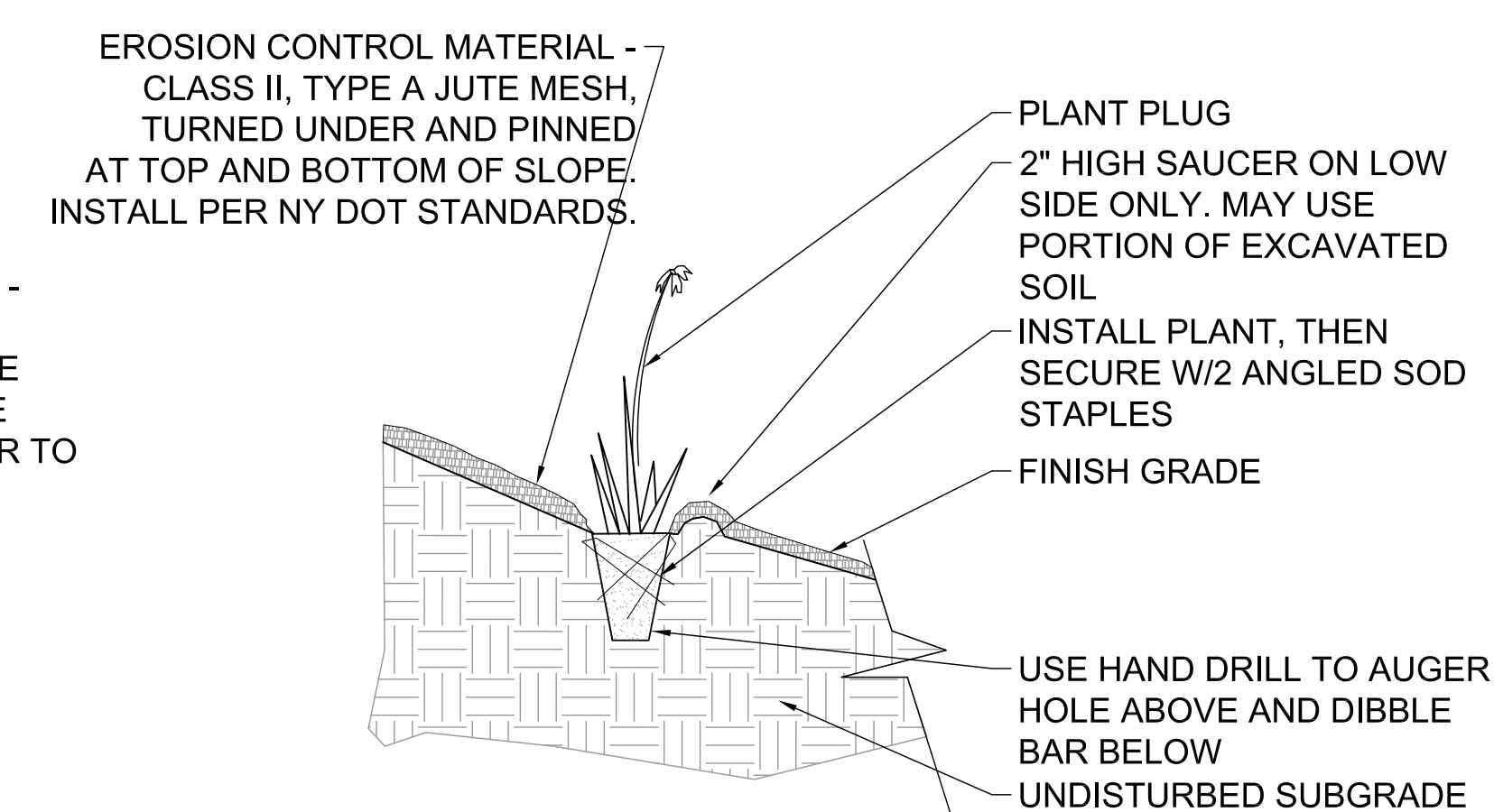
4 MULTISTEM TREE PLANTING DETAIL
NOT TO SCALE



9 BIOSWALE SECTION
NOT TO SCALE



8 PLANTER DETAIL
NOT TO SCALE



NOTES:
CUT APART ANY COILED ROOTS PRIOR TO PLANTING.

7 PLUG ON SLOPES OF 25% (4:1) OR GREATER
NOT TO SCALE

NO.	DATE	REVISION

ISSUED FOR

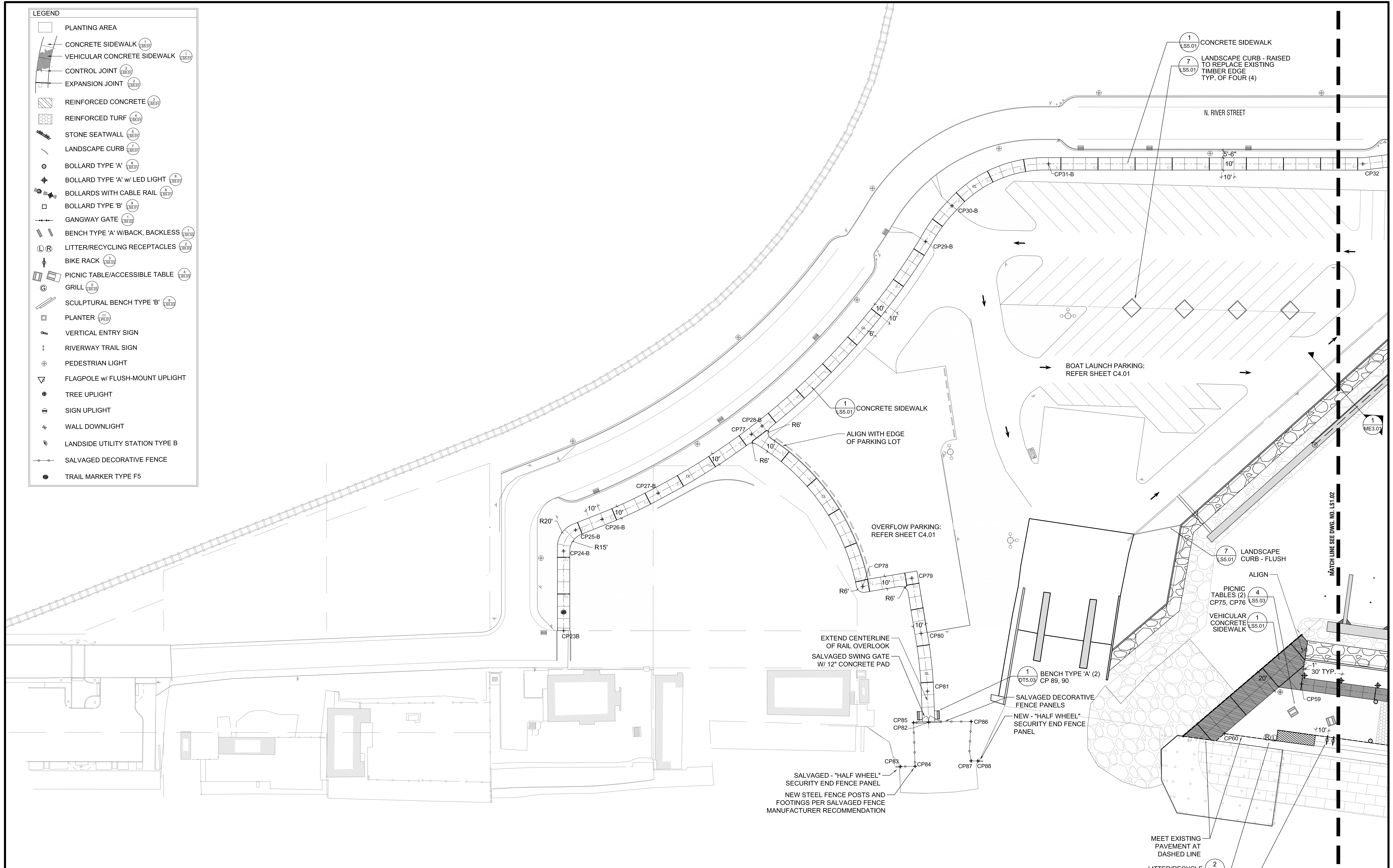
BID

DRAWING TITLE
**PLANTING
DETAILS**

DATE: JULY 22, 2013
SCALE: NTS
DESIGNED BY:
DRAWN BY:
REVIEWED BY:
PROJECT NUMBER: 210660

DRAWING NUMBER

LEGEND	
[Symbol]	PLANTING AREA
[Symbol]	CONCRETE SIDEWALK (1) LS5.01
[Symbol]	VEHICULAR CONCRETE SIDEWALK (1) LS5.01
[Symbol]	CONTROL JOINT (2) LS5.01
[Symbol]	EXPANSION JOINT (2) LS5.01
[Symbol]	REINFORCED CONCRETE (3) LS5.01
[Symbol]	REINFORCED TURF (4) LS5.01
[Symbol]	STONE SEATWALL (6) LS5.01
[Symbol]	LANDSCAPE CURB (6) LS5.01
[Symbol]	BOLLARD TYPE 'A' (6) LS5.01
[Symbol]	BOLLARD TYPE 'A' w/ LED LIGHT (6) LS5.01
[Symbol]	BOLLARDS WITH CABLE RAIL (6) LS5.01
[Symbol]	BOLLARD TYPE 'B' (6) LS5.01
[Symbol]	GANGWAY GATE (1) LS5.01
[Symbol]	BENCH TYPE 'A' W/BACK, BACKLESS (8) LS5.01
[Symbol]	LITTER/RECYCLING RECEPTACLES (2) LS5.01
[Symbol]	BIKE RACK (3) LS5.01
[Symbol]	PICNIC TABLE/ACCESSIBLE TABLE (2) LS5.01
[Symbol]	GRILL (2) LS5.01
[Symbol]	SCULPTURAL BENCH TYPE 'B' (4) LS5.01
[Symbol]	PLANTER (1) LS5.01
[Symbol]	VERTICAL ENTRY SIGN
[Symbol]	RIVERWAY TRAIL SIGN
[Symbol]	PEDESTRIAN LIGHT
[Symbol]	FLAGPOLE w/ FLUSH-MOUNT UPLIGHT
[Symbol]	TREE UPLIGHT
[Symbol]	SIGN UPLIGHT
[Symbol]	WALL DOWNLIGHT
[Symbol]	LANDSIDE UTILITY STATION TYPE B
[Symbol]	SALVAGED DECORATIVE FENCE
[Symbol]	TRAIL MARKER TYPE F5



CONCRETE SIDEWALK LAYOUT

CONTROL POINT	NORTHING	EASTING	DESCRIPTION
CP23-B	N 1186791.49	E 1407727.11	
CP24-B	N 1186820.50	E 1407669.54	RADIUS 17', ARC LENGTH 20.8'
CP25-B	N 1186836.82	E 1407658.76	
CP26-B	N 1186859.81	E 1407660.72	RADIUS 410', ARC LENGTH 50'
CP27-B	N 1186909.82	E 1407662.32	RADIUS 550', ARC LENGTH 100'
CP28-B	N 1187009.31	E 1407651.80	RADIUS 556', ARC LENGTH 200.5'
CP29-B	N 1187194.87	E 1407578.40	RADIUS 125', ARC LENGTH 36.2'
CP30-B	N 1187226.87	E 1407562.21	RADIUS 100', ARC LENGTH 88'
CP31-B	N 1187311.77	E 1407567.15	
CP59	N 1187304.49	E 1408034.85	
CP60	N 1187230.65	E 1408042.56	
CP77	N 1186998.62	E 1407653.82	
CP78	N 1187023.43	E 1407804.29	
CP79	N 1187153.43	E 1407794.37	
CP80	N 1187048.41	E 1407859.49	RADIUS 336', ARC LENGTH 47'
CP81	N 1187031.89	E 1407930.58	
CP82	N 1187021.43	E 1407926.32	

SITE FURNITURE LAYOUT

ITEM	CONTROL POINT	NORTHING	EASTING	DESCRIPTION
PICNIC TABLE	CP75	N 1187291.17	E 1408048.31	NW CORNER OF PAD
PICNIC TABLE	CP76	N 1187315.85	E 1408069.46	NW CORNER OF PAD
BENCH PAD	CP89	N 1187029.73	E 1407920.24	SW CORNER OF PAD
BENCH PAD	CP90	N 1187020.65	E 1407916.06	NW CORNER OF PAD

FENCE LAYOUT

CONTROL POINT	NORTHING	EASTING	DESCRIPTION
CP83	N 1186984.99	E 1407948.15	CENTER OF POST FOOTING
CP84	N 1186995.57	E 1407953.25	CENTER OF POST FOOTING
CP85	N 1187010.34	E 1407921.16	CENTER OF POST FOOTING
CP86	N 1187052.37	E 1407941.38	CENTER OF POST FOOTING
CP87	N 1187037.97	E 1407969.78	CENTER OF POST FOOTING
CP88	N 1187042.86	E 1407972.27	CENTER OF POST FOOTING



NO.	DATE	REVISION
--	--	--
--	--	--
--	--	--
--	--	--
--	--	--
--	--	--

ISSUED FOR
BID

DRAWING TITLE
HARDSCAPE & SITE FURNISHINGS PLAN

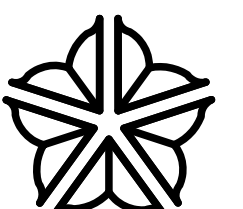
DATE: JULY 22, 2013
SCALE: 1" = 30'
DESIGNED BY:
DRAWN BY:
REVIEWED BY:
PROJECT NUMBER: 210660
DRAWING NUMBER:

LS 1.01

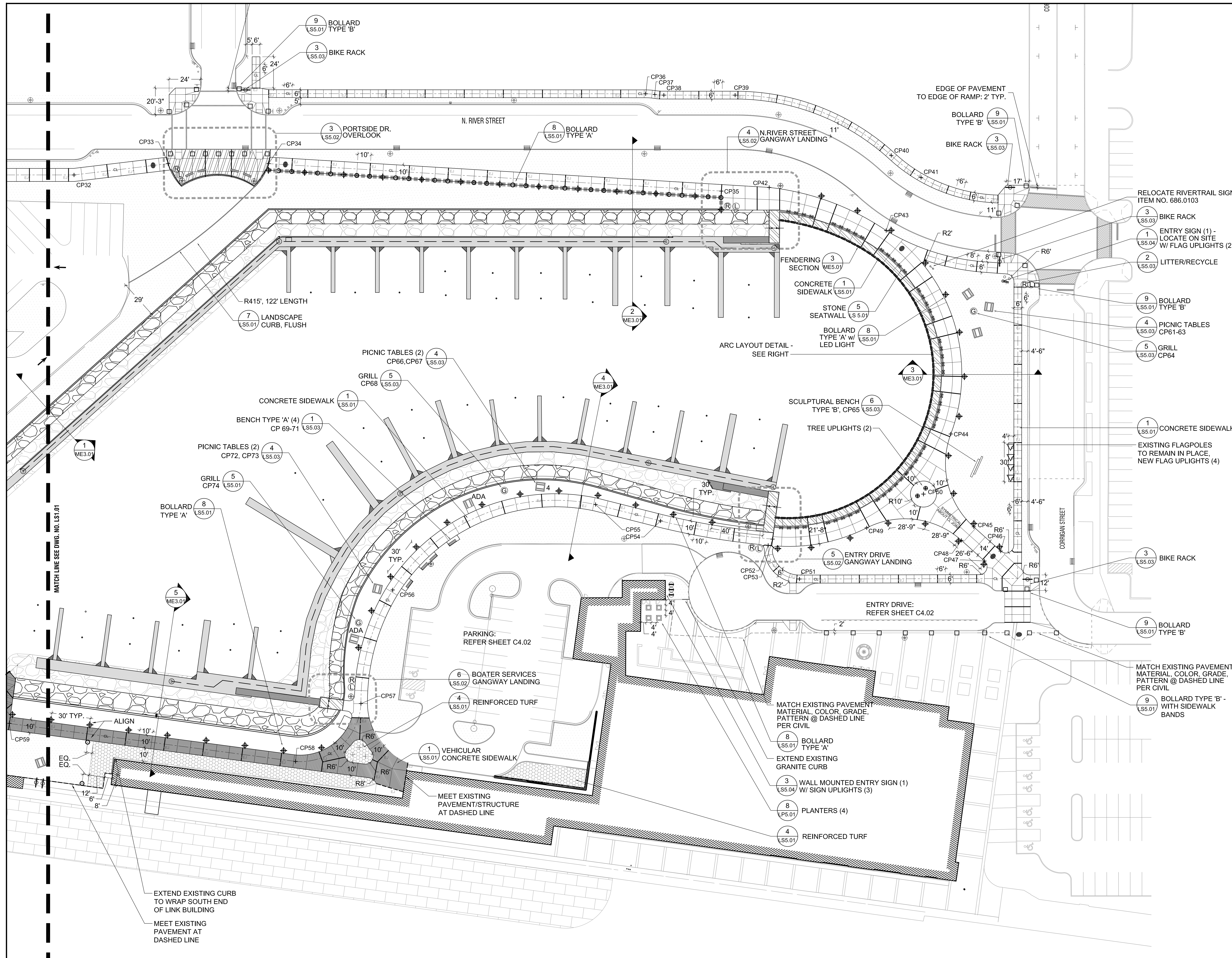


PROJECT/CLIENT

PORT OF ROCHESTER MARINA DEVELOPMENT PROJECT
ROCHESTER, NY

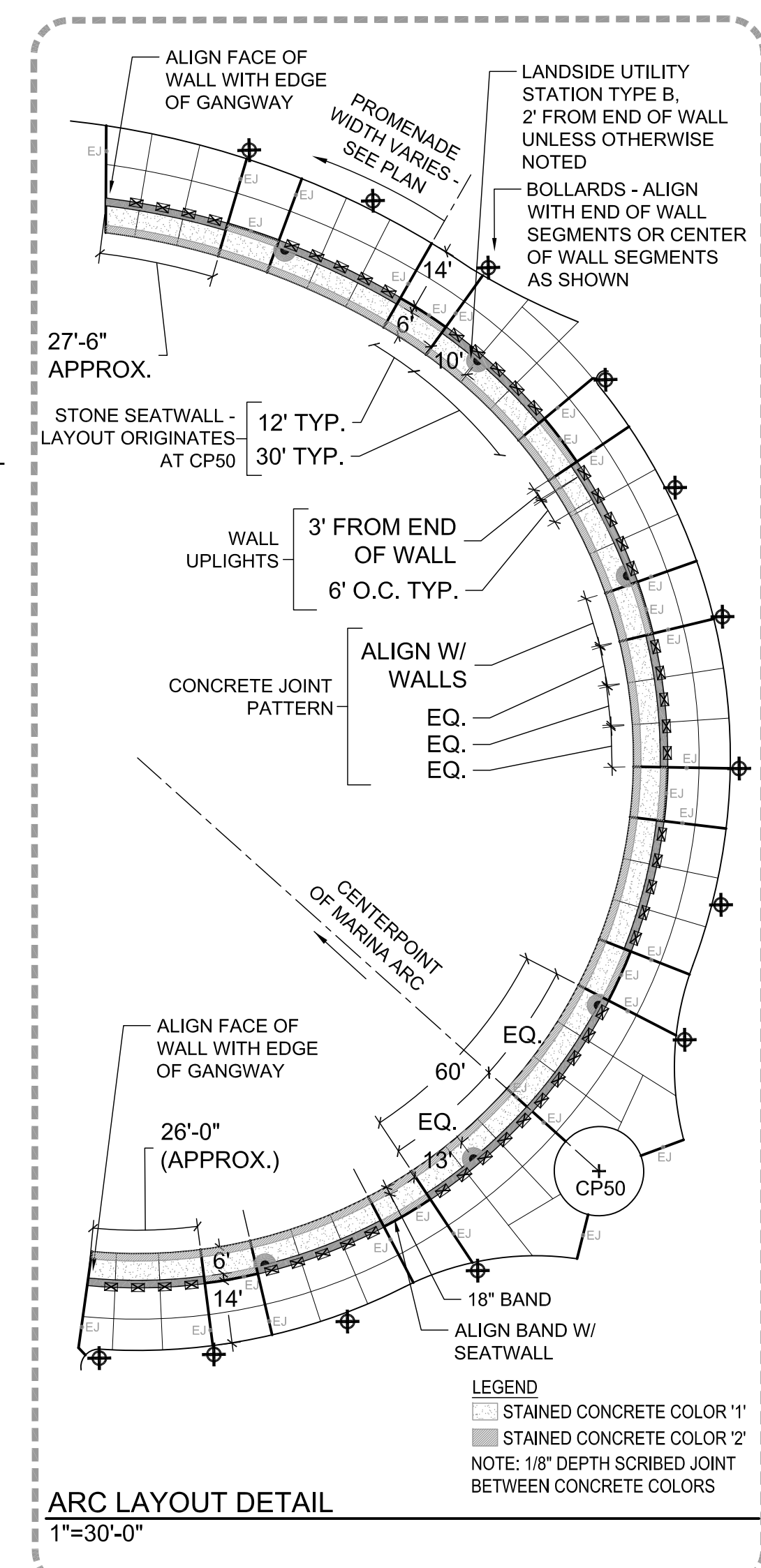


City of Rochester



LEGEND

- PLANTING AREA
- ▬ CONCRETE SIDEWALK (LS5.01)
- ▬ VEHICULAR CONCRETE SIDEWALK (LS5.01)
- ▬ CONTROL JOINT (LS5.01)
- ▬ EXPANSION JOINT (LS5.01)
- ▨ REINFORCED CONCRETE (LS5.01)
- ▨ REINFORCED TURF (LS5.01)
- ▨ STONE SEATWALL (LS5.01)
- ▨ LANDSCAPE CURB (LS5.01)
- BOLLARD TYPE 'A' (LS5.01)
- ⊕ BOLLARD TYPE 'A' w/ LED LIGHT (LS5.01)
- ⊕ BOLLARDS WITH CABLE RAIL (LS5.01)
- BOLLARD TYPE 'B' (LS5.01)
- ▬ GANGWAY GATE (LS5.01)
- ▬ BENCH TYPE 'A' W/BACK, BACKLESS (LS5.01)
- ⊕ LITTER/RECYCLING RECEPTACLES (LS5.01)
- ⊕ BIKE RACK (LS5.01)
- ⊕ PICNIC TABLE/ACCESSIBLE TABLE (LS5.01)
- ⊕ GRILL (LS5.01)
- ▬ SCULPTURAL BENCH TYPE 'B' (LS5.01)
- ⊕ PLANTER (LS5.01)
- ⊕ VERTICAL ENTRY SIGN
- ⊕ RIVERWAY TRAIL SIGN
- ⊕ PEDESTRIAN LIGHT
- ⊕ FLAGPOLE w/ FLUSH-MOUNT UPLIGHT
- ⊕ TREE UPLIGHT
- ⊕ SIGN UPLIGHT
- ⊕ WALL DOWNLIGHT
- ▬ LANDSIDE UTILITY STATION TYPE B
- ▬ SALVAGED DECORATIVE FENCE
- TRAIL MARKER TYPE F5



NO.	DATE	REVISION

ISSUED FOR
BID

HARDSCAPE & SITE FURNISHINGS PLAN

DATE: JULY 22, 2013
SCALE: 1"=30'
DESIGNED BY:
DRAWN BY:
REVIEWED BY:
PROJECT NUMBER: 210660
DRAWING NUMBER:

LS 1.02

CONCRETE SIDEWALK LAYOUT

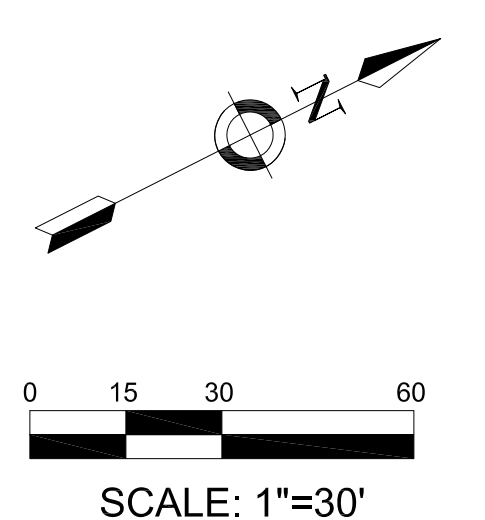
CONTROL POINT	NORTHING	EASTING	DESCRIPTION
CP32B	N 1187538.55	E 1407681.96	
CP33B	N 1187606.90	E 1407706.84	
CP34B	N 1187675.65	E 1407741.56	
CP35B	N 1187976.14	E 1407917.19	
CP36	N 1187957.95	E 1407824.38	RADIUS 45.5', ARC LENGTH 7.0'
CP37	N 1187963.92	E 1407828.00	RADIUS 40.3', ARC LENGTH 7.0'
CP38	N 1187969.96	E 1407831.58	
CP39	N 1188018.73	E 1407856.28	RADIUS 179.4', ARC LENGTH 131.3'
CP40	N 1188104.76	E 1407951.62	RADIUS 143.5', ARC LENGTH 28.5'
CP41	N 1188117.50	E 1407977.04	
CP42	N 1188010.10	E 1407931.25	RADIUS 198.0', ARC LENGTH 96.5'
CP43	N 1188075.26	E 1408001.26	
CP44	N 1188049.09	E 1408162.85	RADIUS 65.0', ARC LENGTH 77.9'

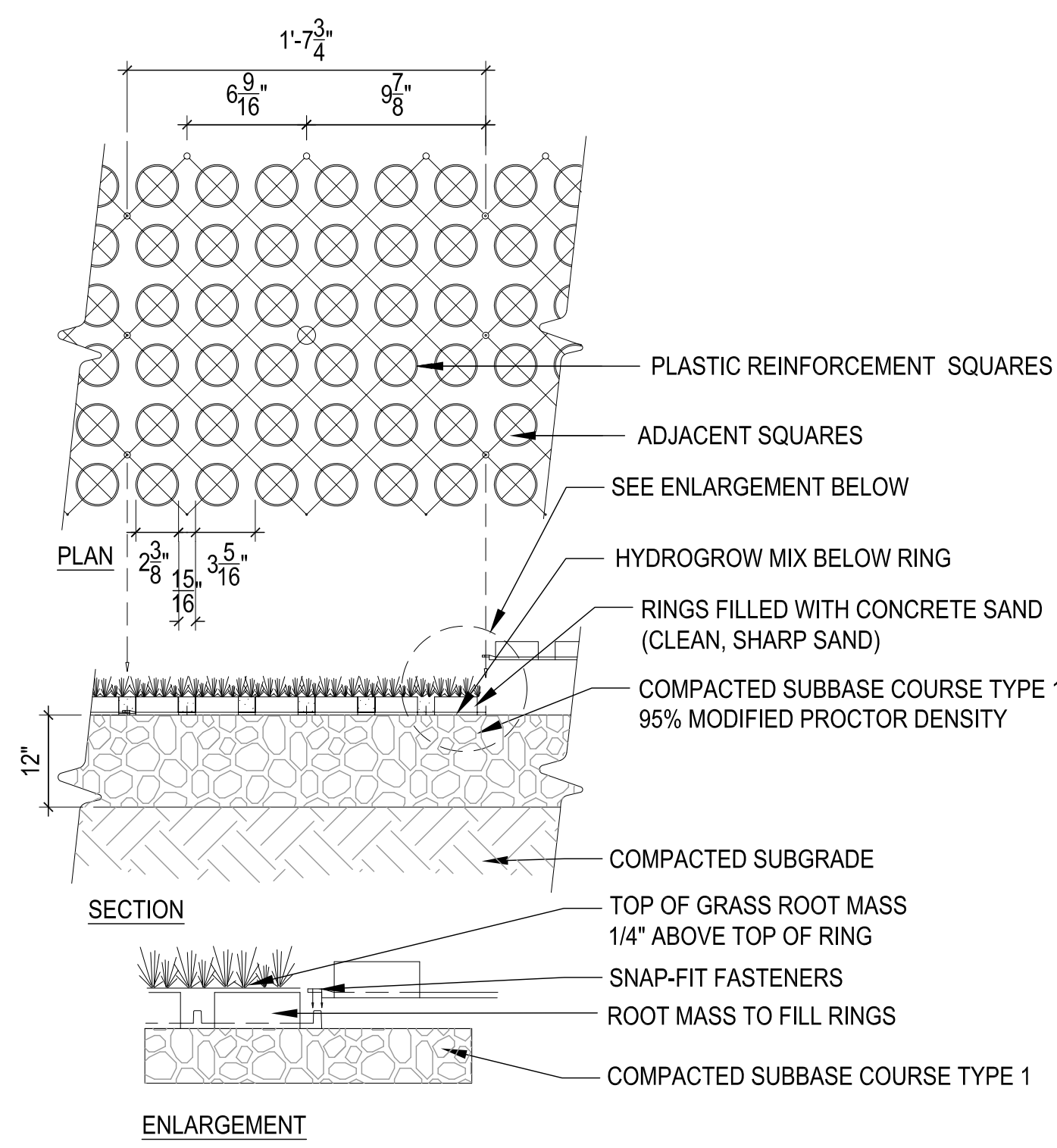
CONCRETE SIDEWALK LAYOUT - CONTINUED

CONTROL POINT	NORTHING	EASTING	DESCRIPTION
CP45	N 1188032.73	E 1408234.33	
CP46	N 1188042.73	E 1408260.25	
CP47	N 1188028.16	E 1408261.43	
CP48	N 1188019.55	E 1408239.35	RADIUS 65.0', ARC LENGTH 77.9'
CP49	N 1187959.05	E 1408197.97	
CP50	N 1188009.57	E 1408194.49	CENTERPOINT OF CIRCLE
CP51	N 1187895.29	E 1408209.66	RADIUS 24.0', ARC LENGTH 39.5'
CP52	N 1187551.95	E 1408143.10	
CP53	N 1187890.68	E 1408173.05	RADIUS 549.2', ARC LENGTH 87.1'
CP54	N 1187820.31	E 1408121.81	
CP55	N 1187781.51	E 1408088.08	RADIUS 141.6', ARC LENGTH 179.7'
CP56	N 1187613.09	E 1408076.29	RADIUS 164.2', ARC LENGTH 91.7'
CP57	N 1187551.95	E 1408143.10	
CP58	N 1187487.18	E 1408160.01	

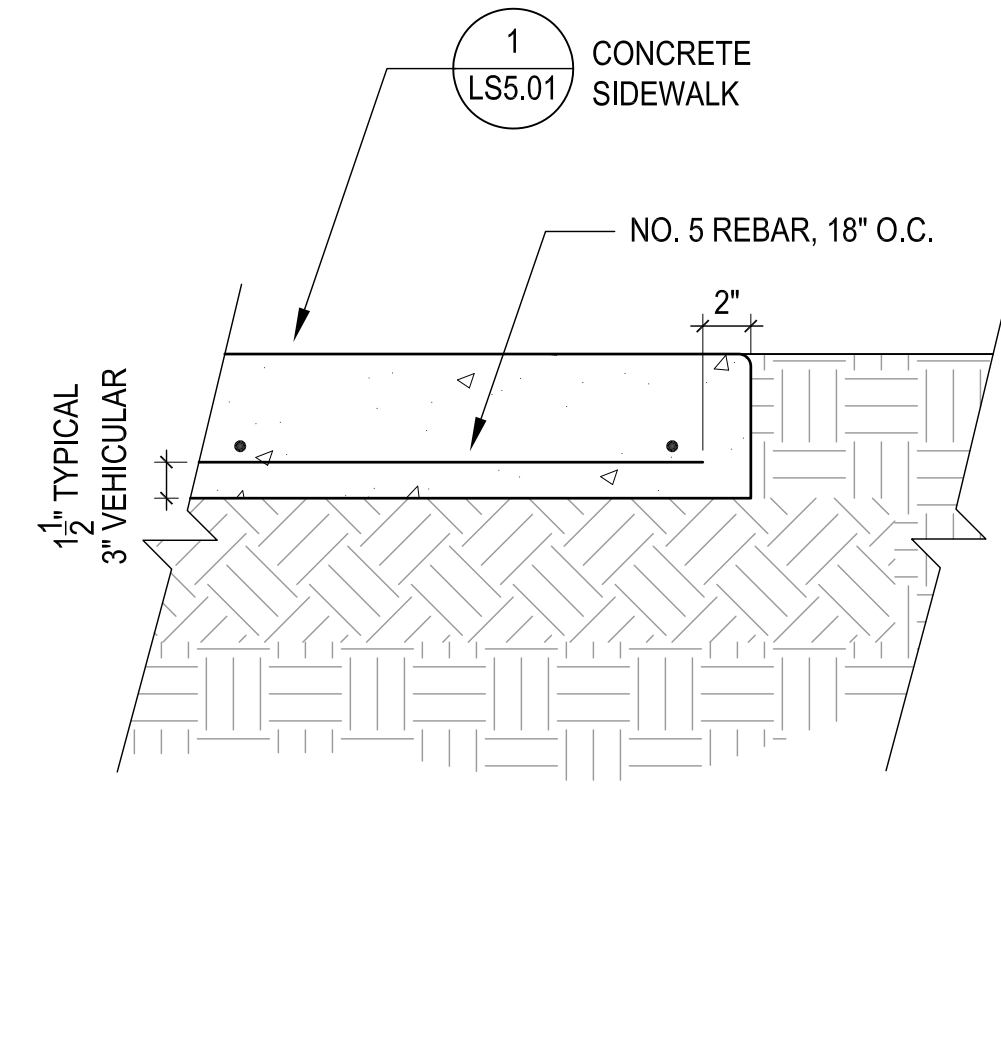
SITE FURNISHING LAYOUT

ITEM	CONTROL POINT	NORTHING	EASTING	DESCRIPTION
PICNIC TABLE	CP61	N 1188112.07	E 1408069.23	NW CORNER OF PAD
PICNIC TABLE	CP62	N 1188123.85	E 1408088.10	NW CORNER OF PAD
PICNIC TABLE	CP63	N 1188106.16	E 1408099.93	NW CORNER OF PAD
GRILL	CP64	N 1188107.16	E 1408086.69	CENTER OF FOOTING
SCULPTURAL BENCH	CP65	N 1188055.43	E 1408194.37	CENTER OF BENCH - APPROX.
PICNIC TABLE	CP66	N 1187754.49	E 1408055.94	NW CORNER OF PAD
PICNIC TABLE - ADA	CP67	N 1187698.28	E 1408040.31	NW CORNER OF PAD
GRILL	CP68	N 1187723.89	E 1408046.93	CENTER OF FOOTING
BENCH PAD	CP69	N 1187676.11	E 1408060.91	NW CORNER OF PAD
BENCH PAD	CP70	N 1187654.58	E 1408064.53	NW CORNER OF PAD
BENCH PAD	CP71	N 1187628.24	E 1408073.91	NW CORNER OF PAD
PICNIC TABLE	CP72	N 1187602.67	E 1408065.51	NW CORNER OF PAD
PICNIC TABLE - ADA	CP73	N 1187569.46	E 1408091.90	NW CORNER OF PAD
GRILL	CP74	N 1187578.41	E 1408086.92	CENTER OF FOOTING

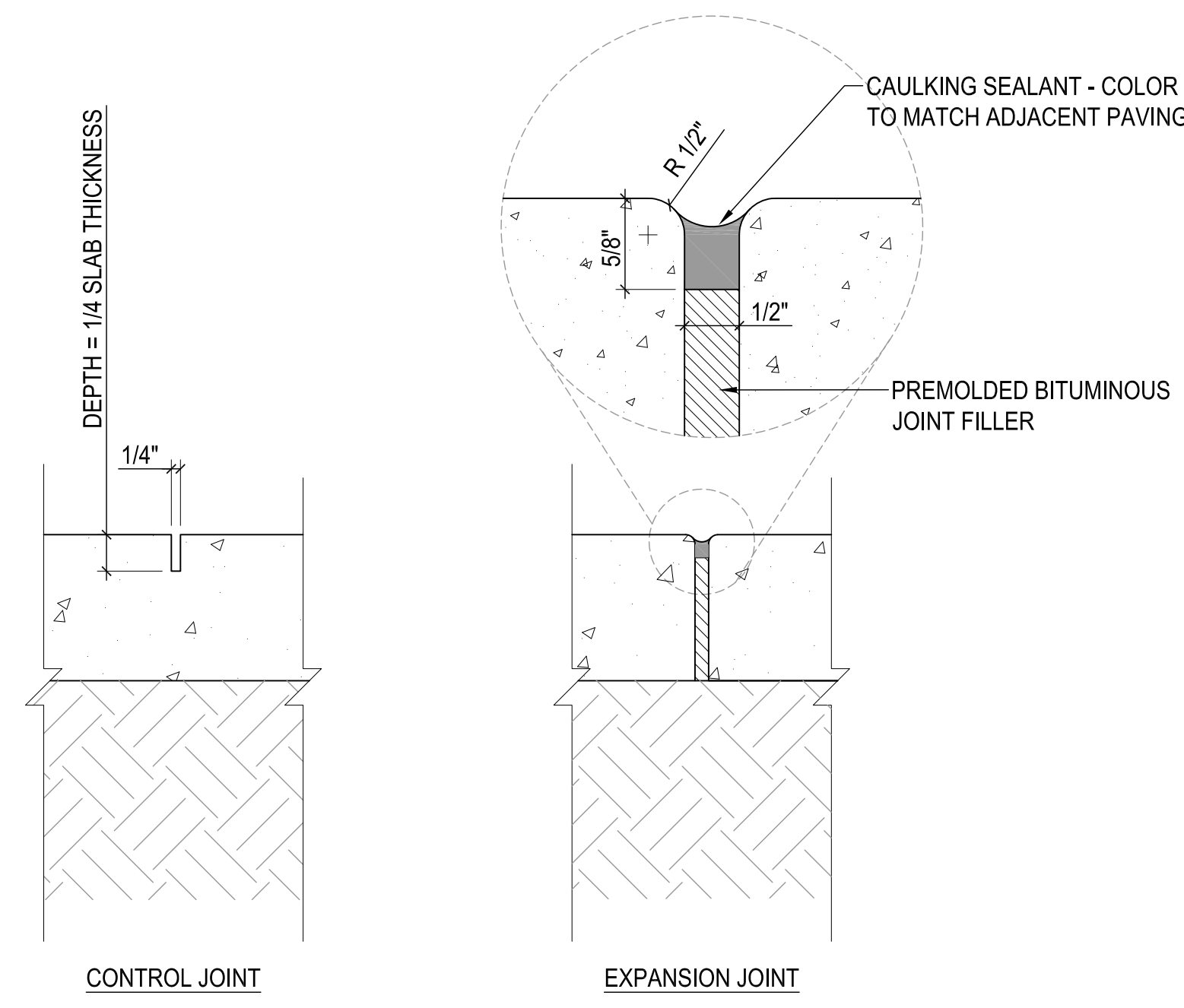




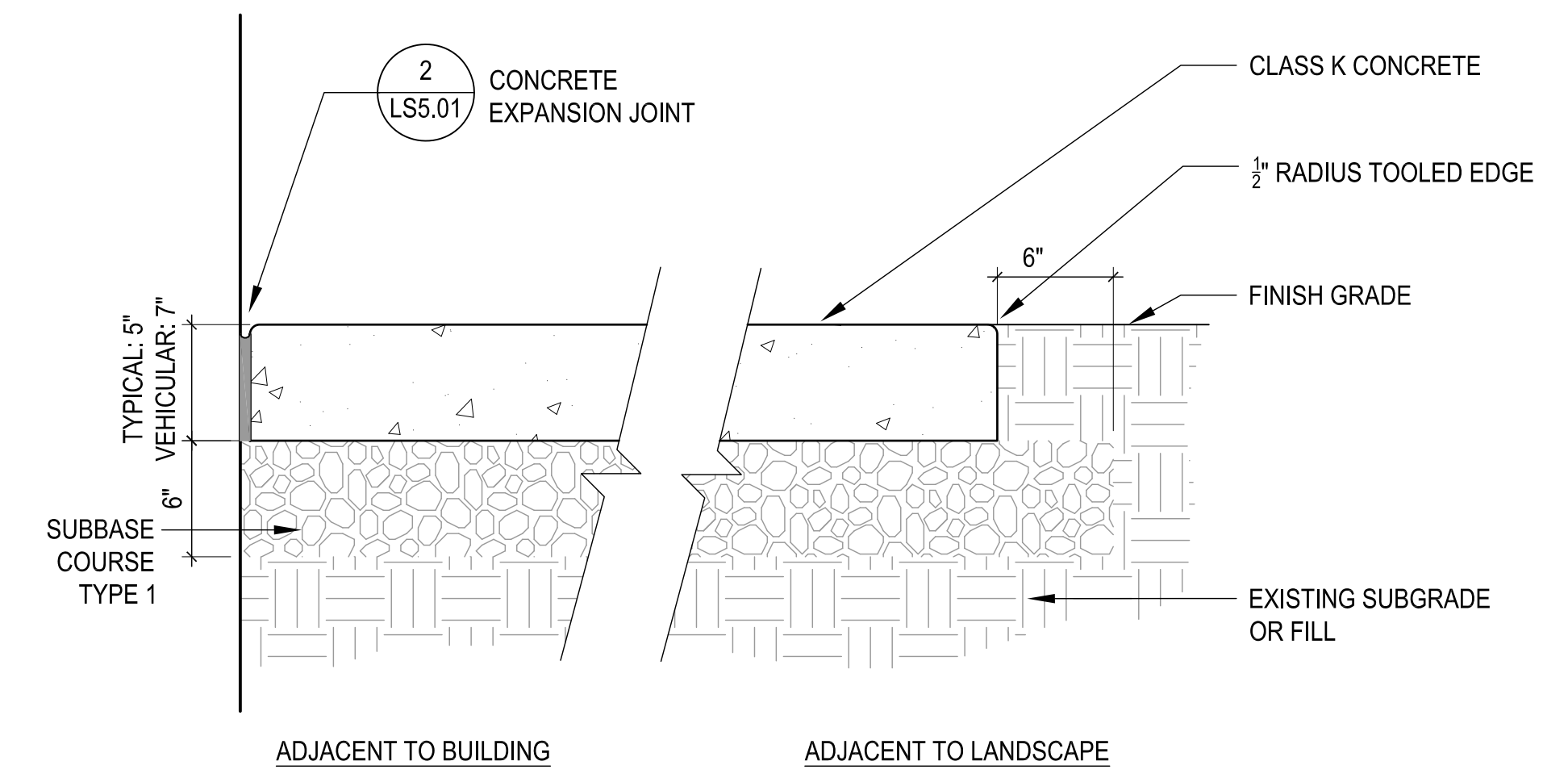
4 REINFORCED TURF
SCALE: 1 1/2"=1'-0"
DT-REINF TURF



3 REINFORCED CONCRETE
SCALE: 1 1/2"=1'-0"
DT-CONC REINF



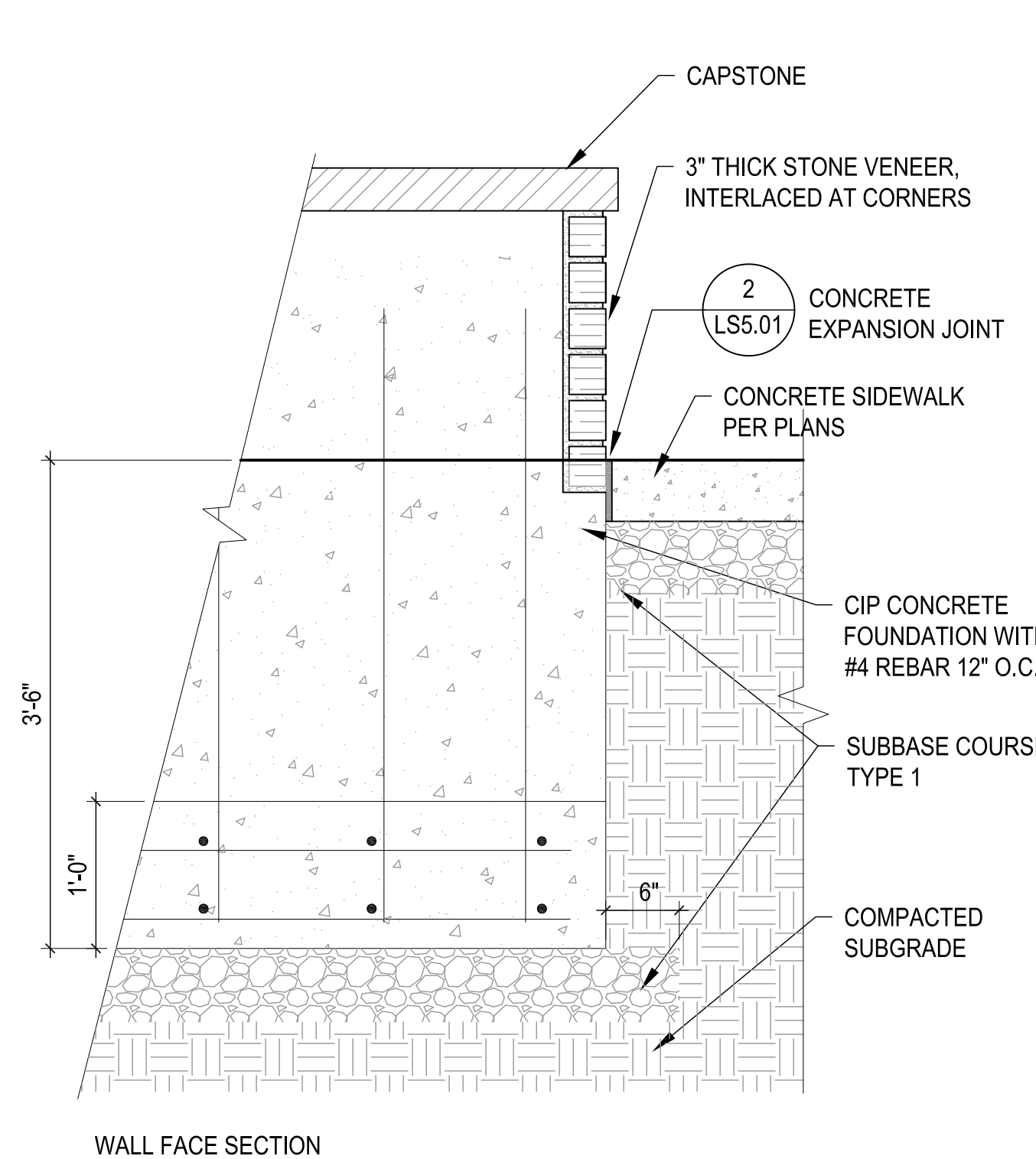
2 CONCRETE CONTROL AND EXPANSION JOINTS
SCALE: 3"=1'-0"
DT-CJ and EJ



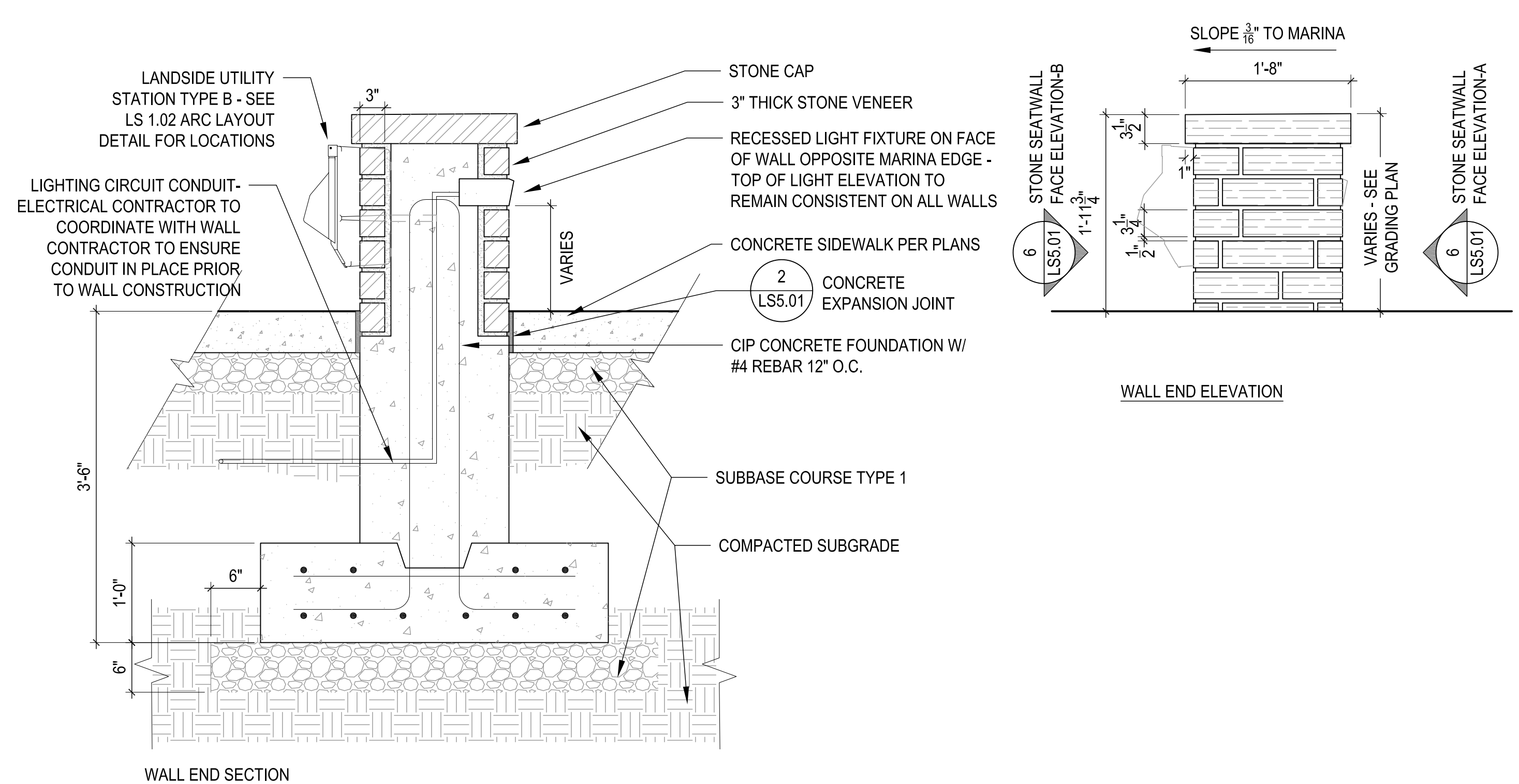
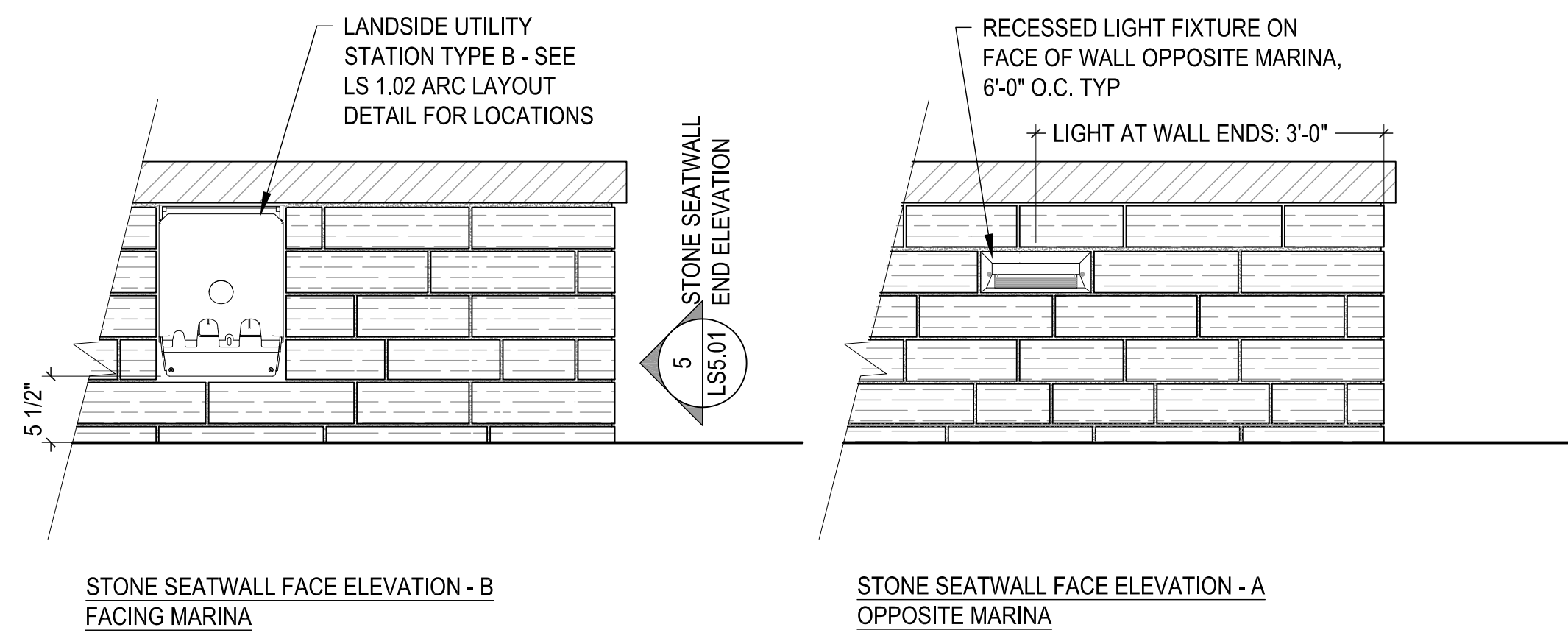
1 CONCRETE SIDEWALK
SCALE: 1 1/2"=1'-0"
DT-CONC

NOTES: PROVIDE 2% CROSS SLOPE ACROSS WALK AND 24" SHOULDER ON DOWNHILL SIDE OF WALK, TYP.

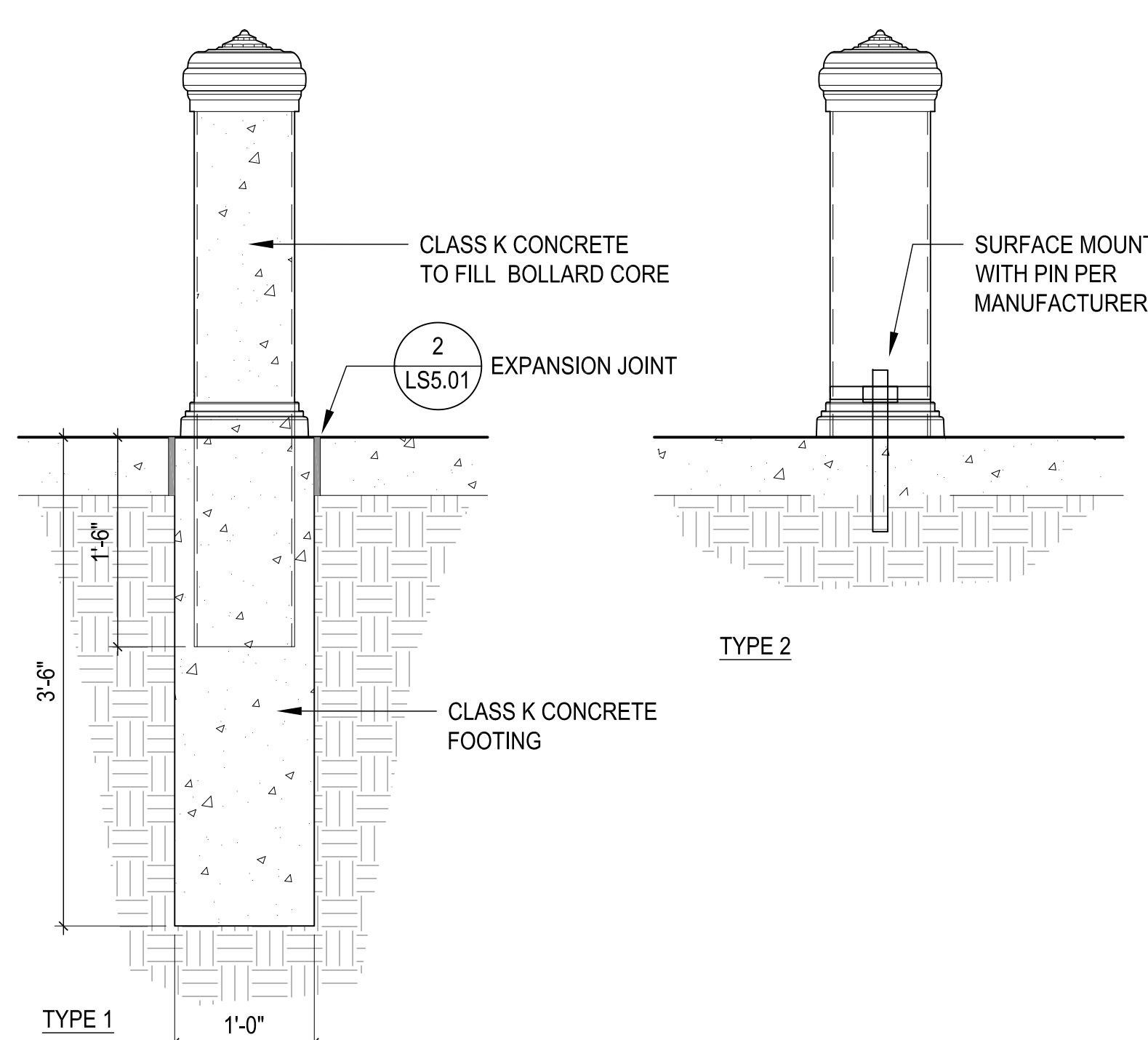
EXPANSION JOINTS AT 30'-0" O.C. MAXIMUM AND AT SIDEWALK INTERSECTIONS AND WHERE WALK ABUTS PAVING, STRUCTURES AND/OR FOUNDATIONS OR AS SHOWN ON PLANS.



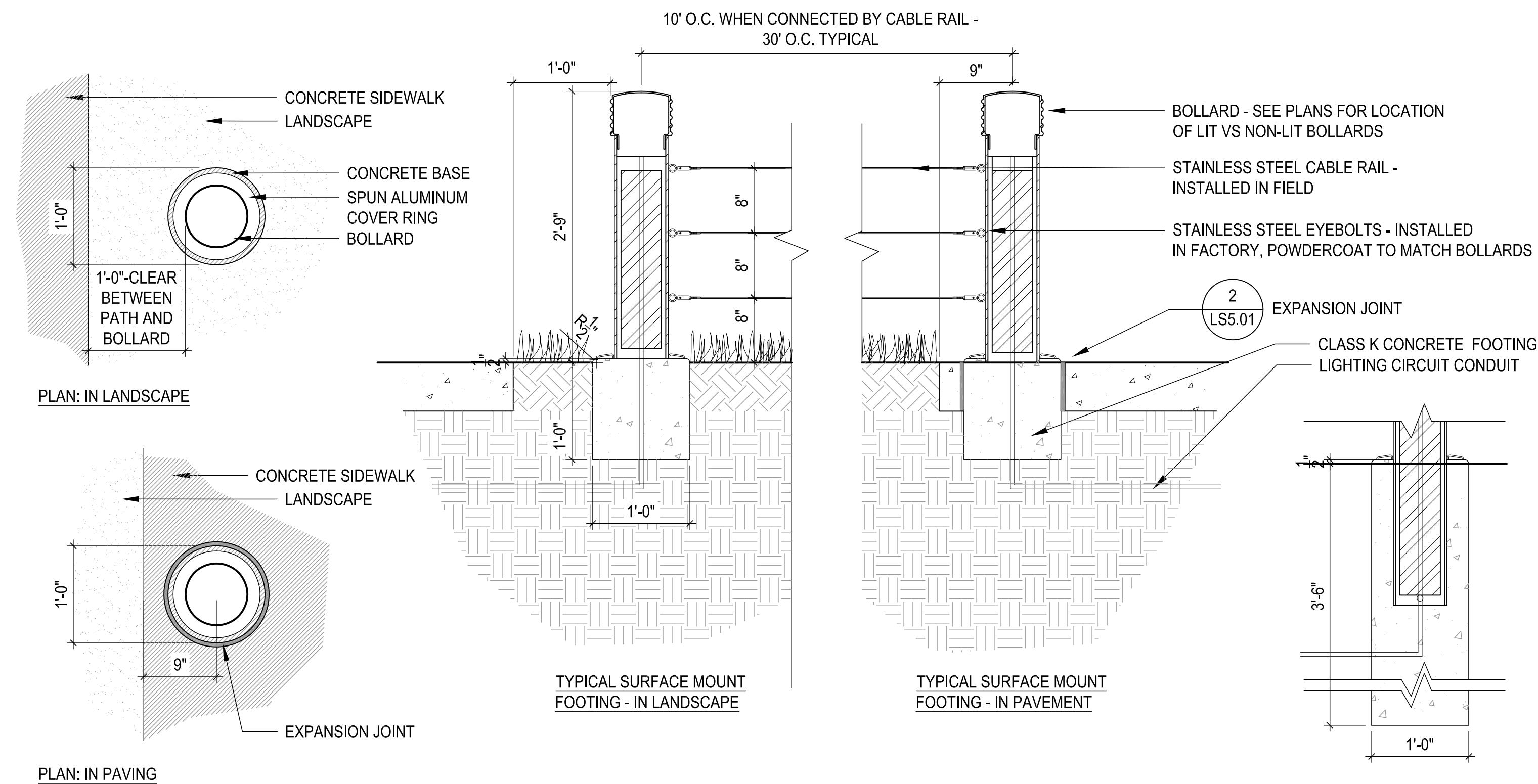
6 STONE SEATWALL: FACE SECTION/ELEVATION
SCALE: 1"=1'-0"
DT-STONE SEATWALL END



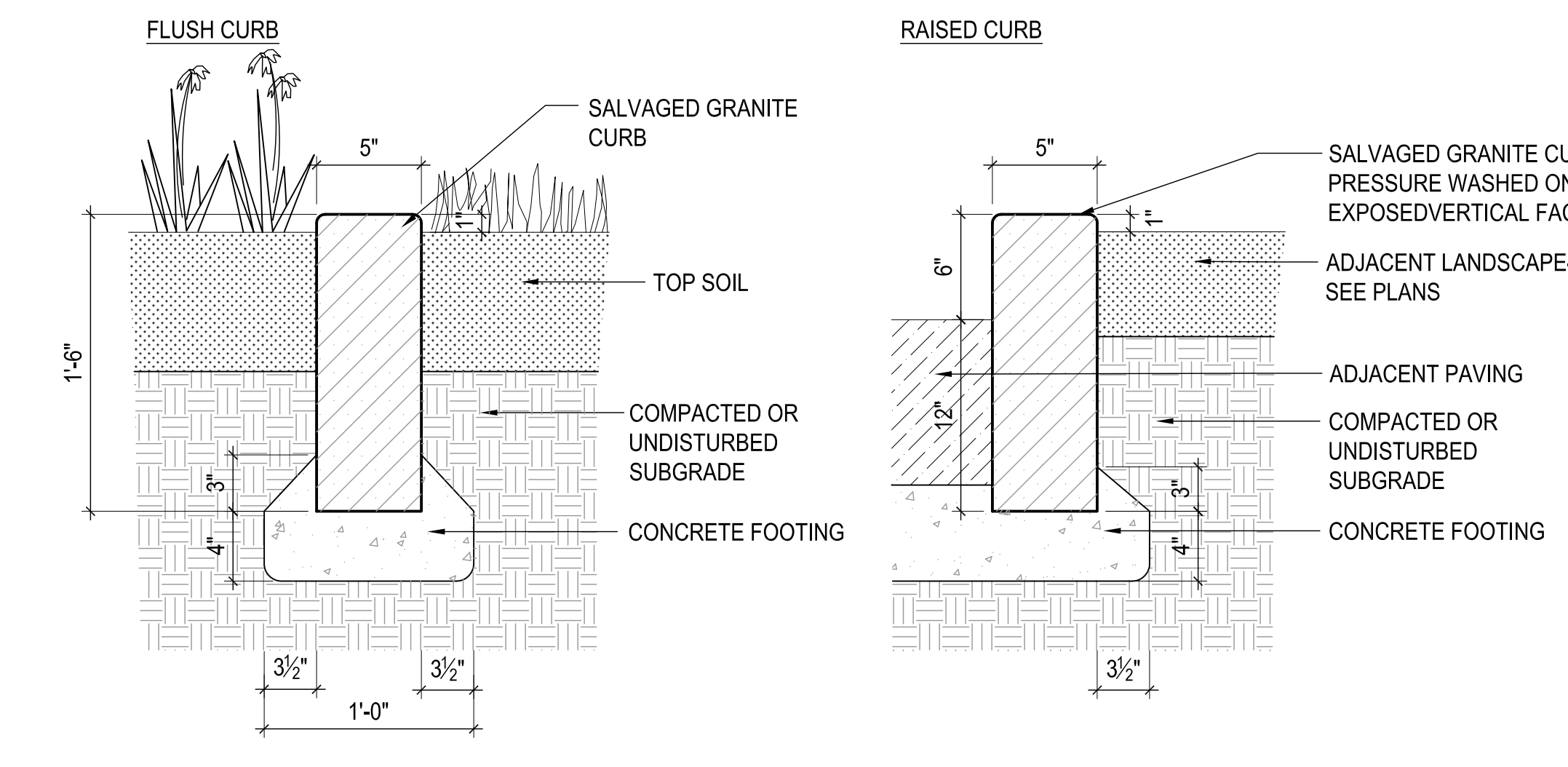
5 STONE SEATWALL: END SECTION/ELEVATION
SCALE: 1"=1'-0"
DT-STONE SEATWALL



9 BOLLARD TYPE 'B' SETTING DETAIL
SCALE: 1"=1'-0"
DT-bollard type B



8 BOLLARD TYPE 'A' SETTING DETAIL
SCALE: 1"=1'-0"
DT-BOLLARD W CABLE

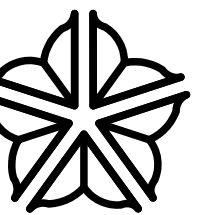


7 LANDSCAPE CURB
SCALE: 1 1/2"=1'-0"
DT-GRANITE CURB



PROJECT/CLIENT

PORT OF ROCHESTER MARINA DEVELOPMENT PROJECT
ROCHESTER, NY



City of Rochester

NO.	DATE	REVISION

This is a portion of New York Executive Law Article 161, Section 1702b. No person, unless acting under the direction of a licensed architect, professional engineer, or land surveyor, shall alter or amend any drawing, plan, specification, or report prepared by a licensed architect, professional engineer, or land surveyor, or shall alter or amend any drawing, plan, specification, or report prepared by another person, if such alteration, amendment or modification is in violation of the provisions of this section.

COPYRIGHT © 2013 LABELLA ASSOCIATES, P.C.

ISSUED FOR

BID

DRAWING TITLE

HARDSCAPE DETAILS

DATE: JULY 22, 2013

SCALE: VARIES

DESIGNED BY:

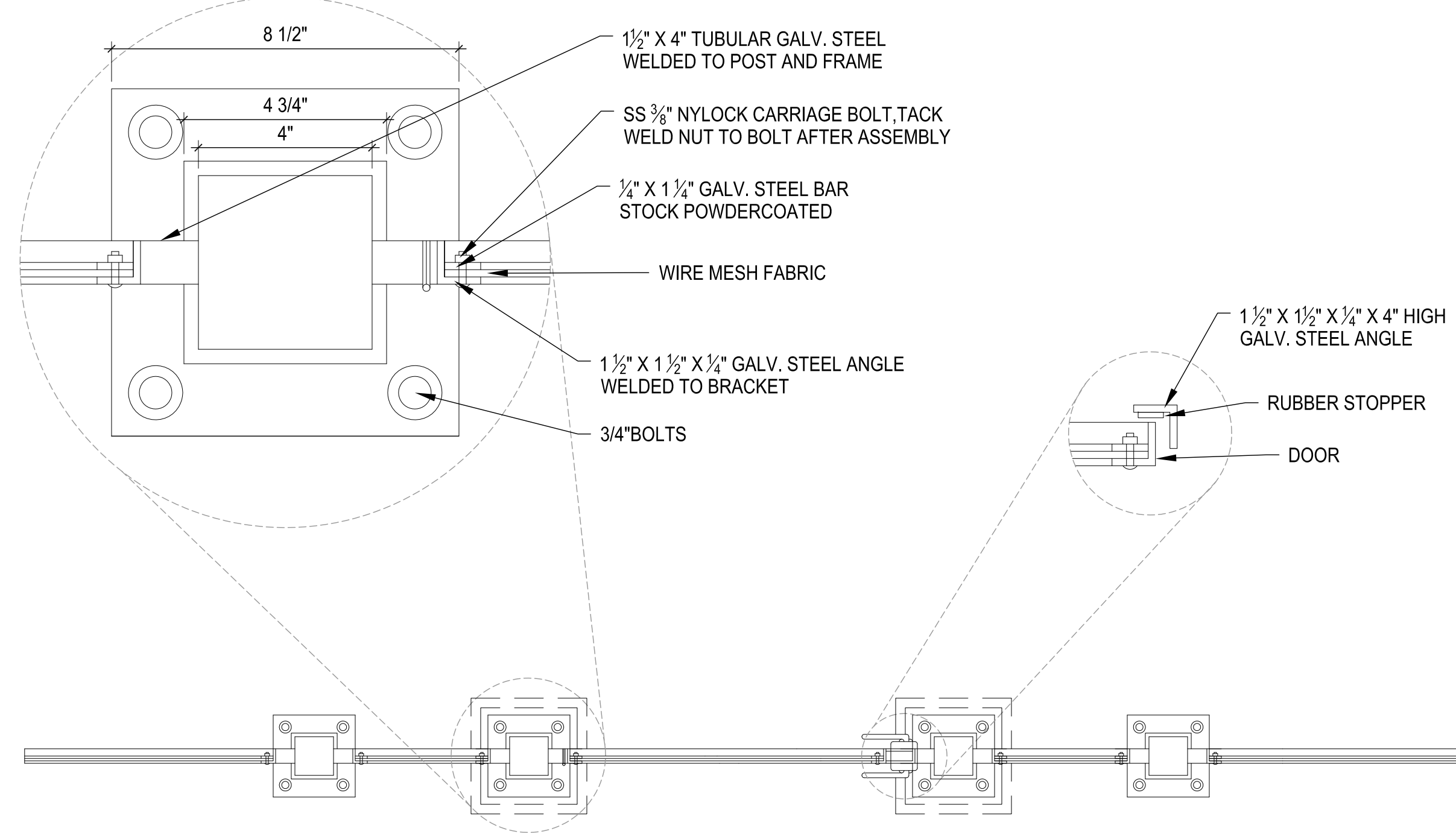
DRAWN BY:

REVIEWED BY:

PROJECT NUMBER: 210660

DRAWING NUMBER

LS 5.01

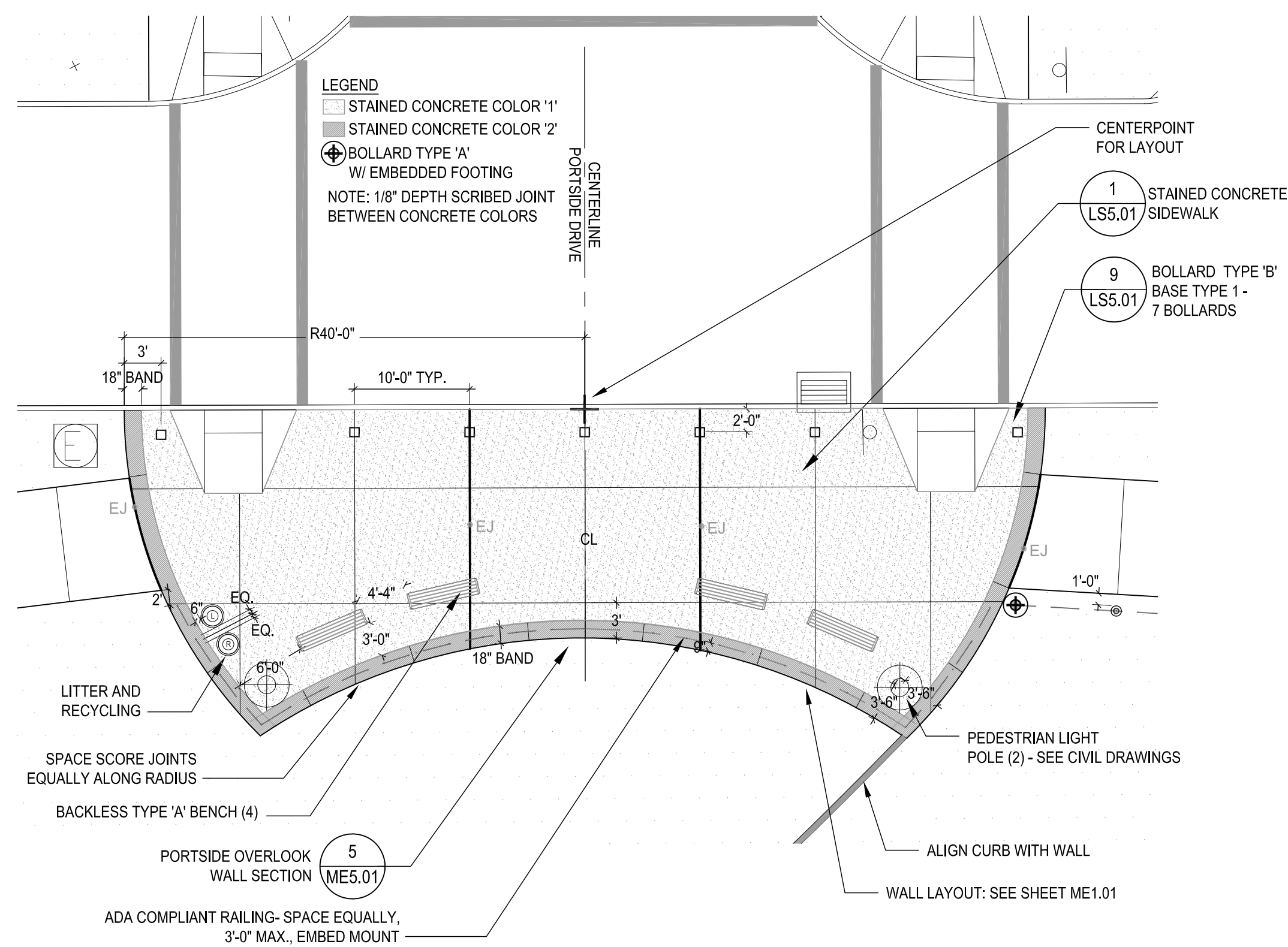


ALL GALVANIZED STEEL COMPONENTS TO BE POWDERCOATED

2 GANGWAY GATE FRAMING PLAN

SCALE: 1"=1'-0"

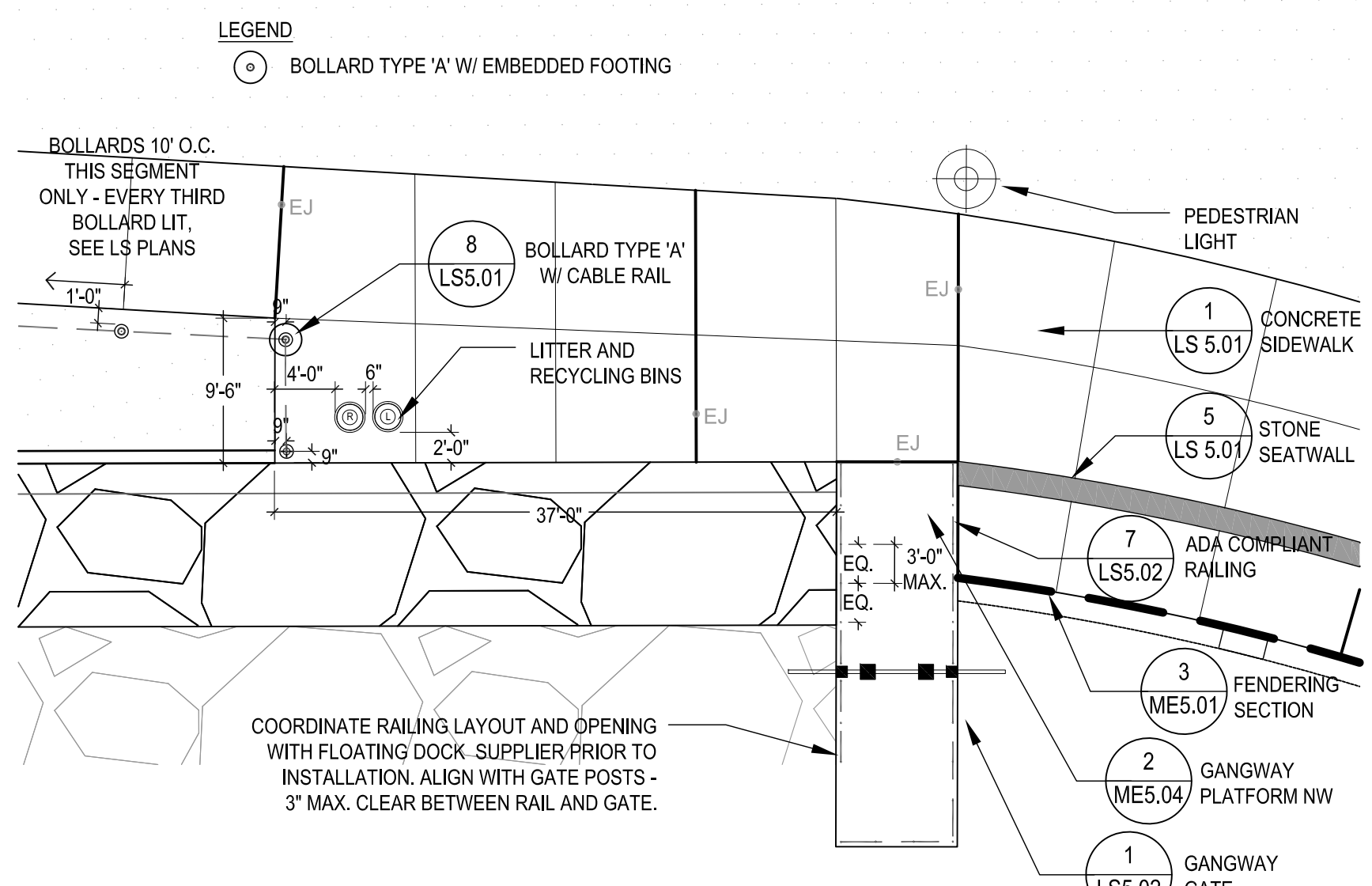
DT-gate plan



3 PORTSIDE OVERLOOK ENLARGEMENT

SCALE: 1"=10'-0"

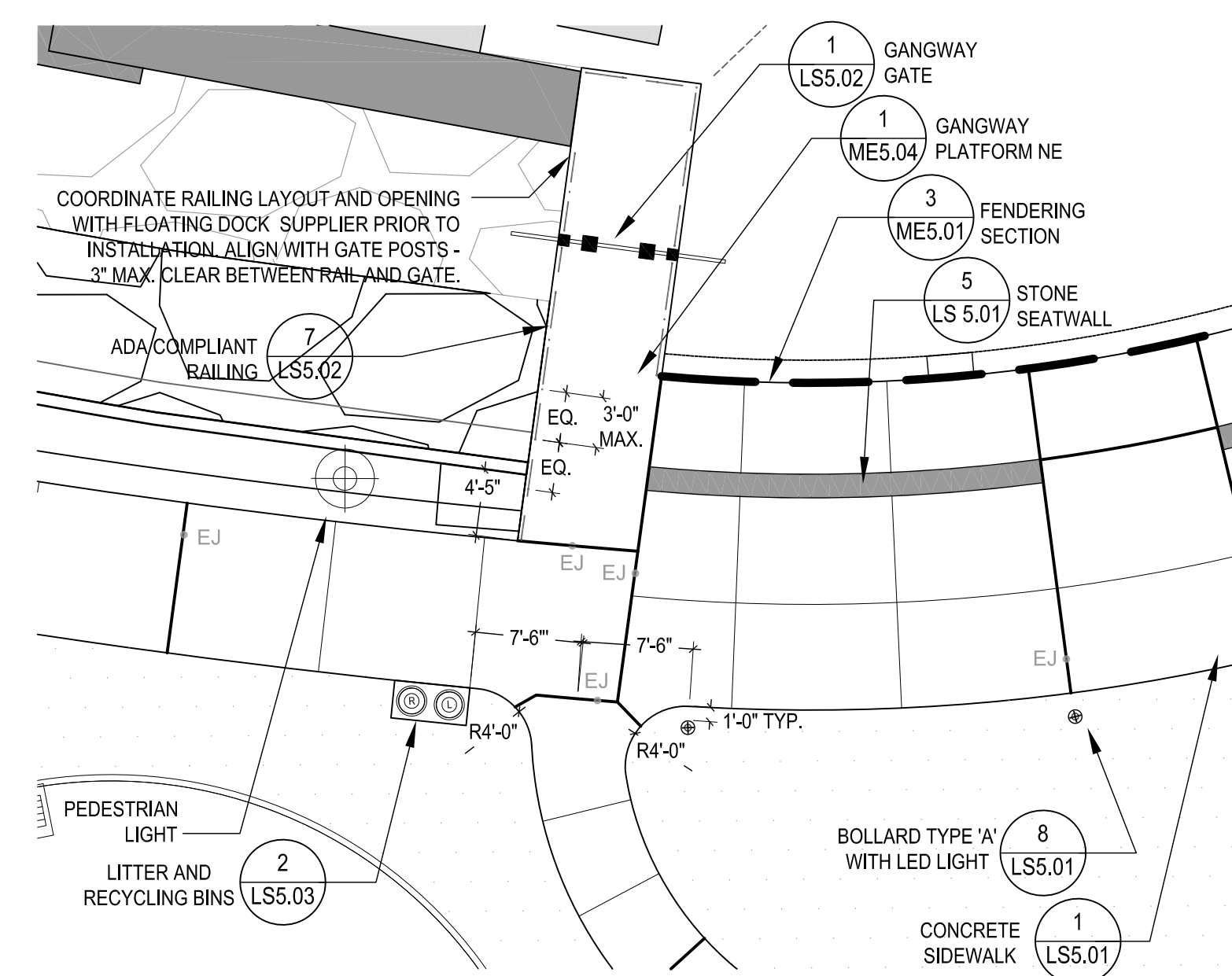
DT-all E plans



4 N RIVER STREET GANGWAY LANDING

SCALE: 1"=10'-0"

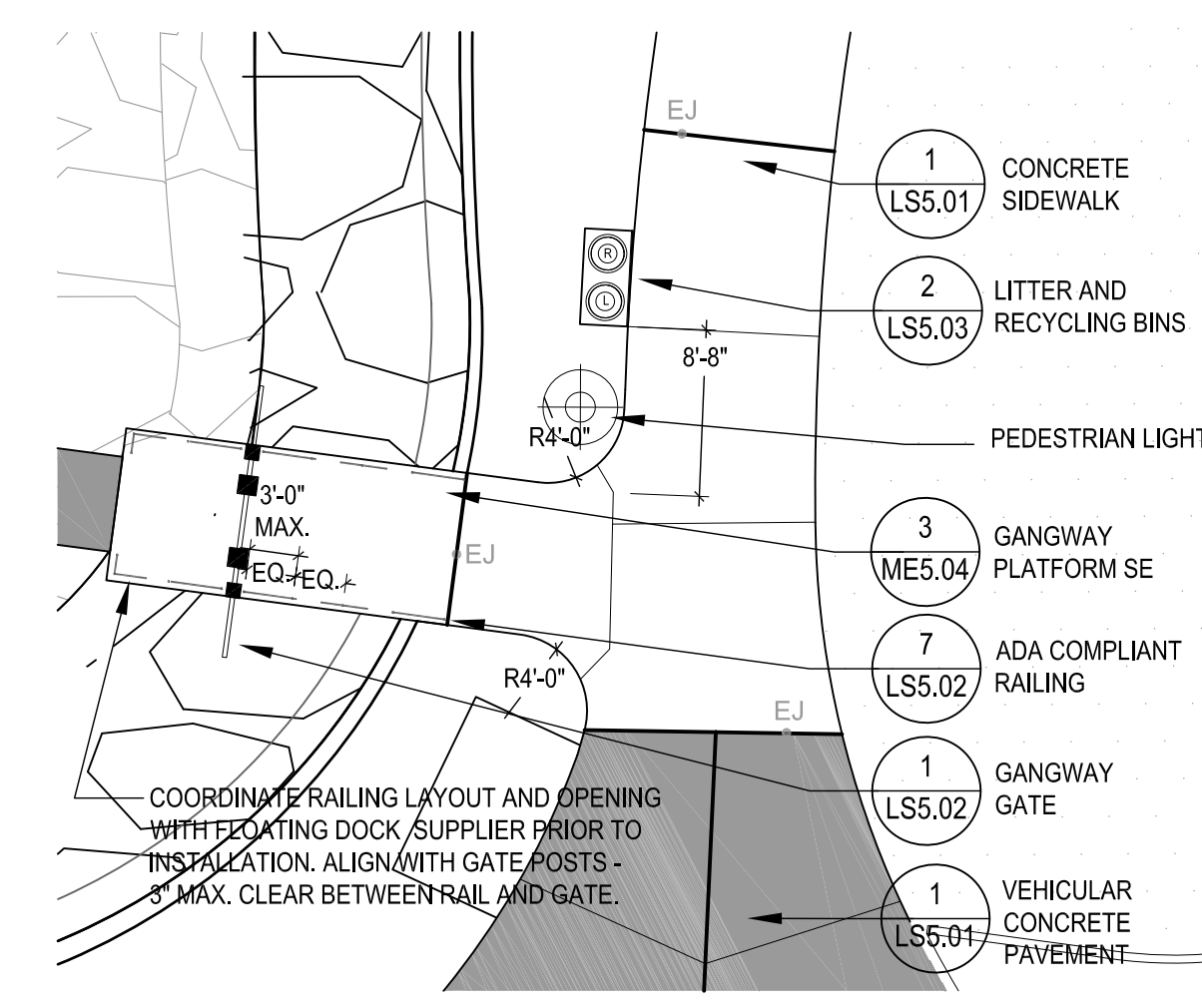
DT-all E plans



5 ENTRY DRIVE GANGWAY LANDING

SCALE: 1"=10'-0"

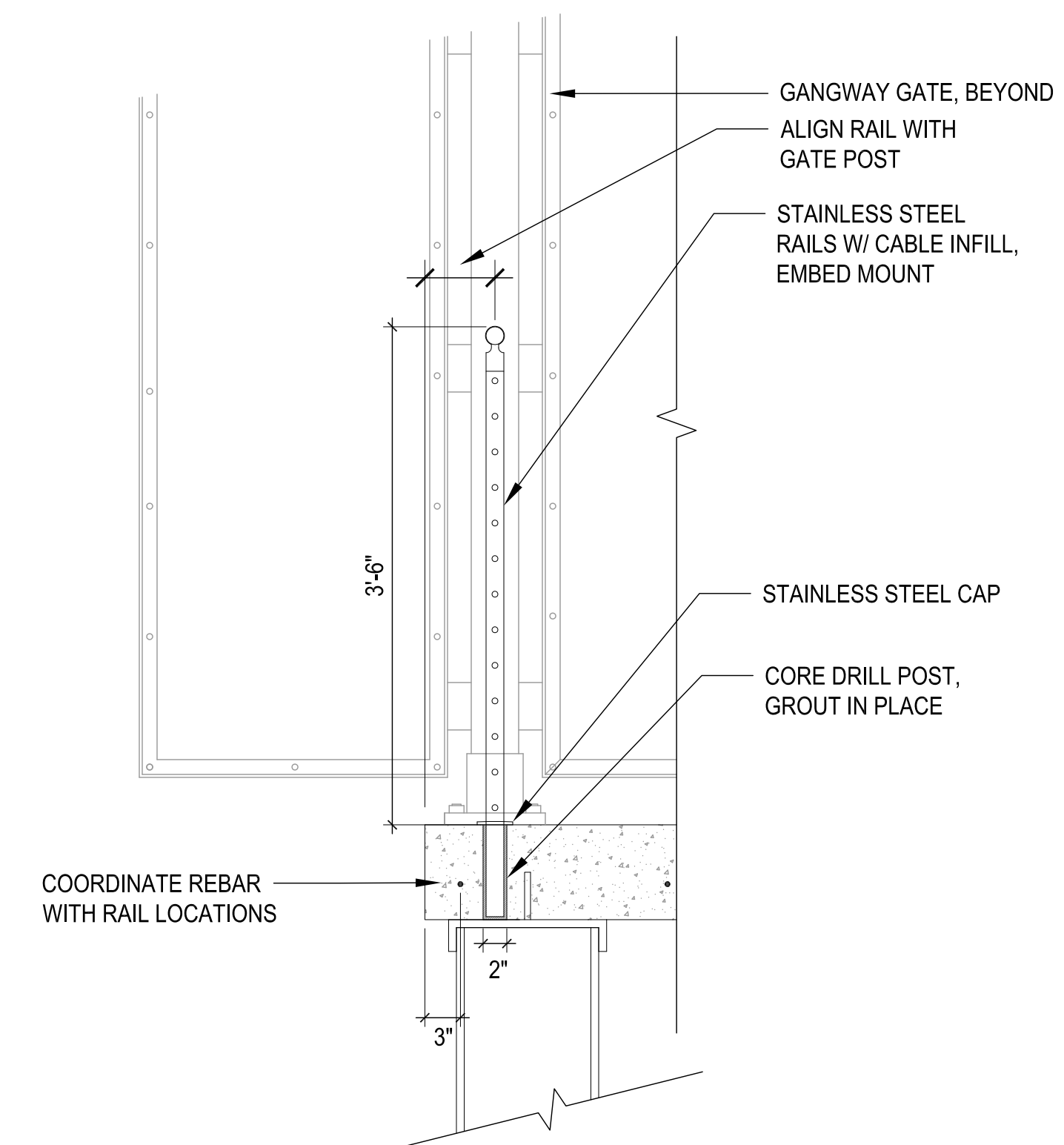
DT-all E plans



6 LINK ENTRANCE GANGWAY LANDING

SCALE: 1"=10'-0"

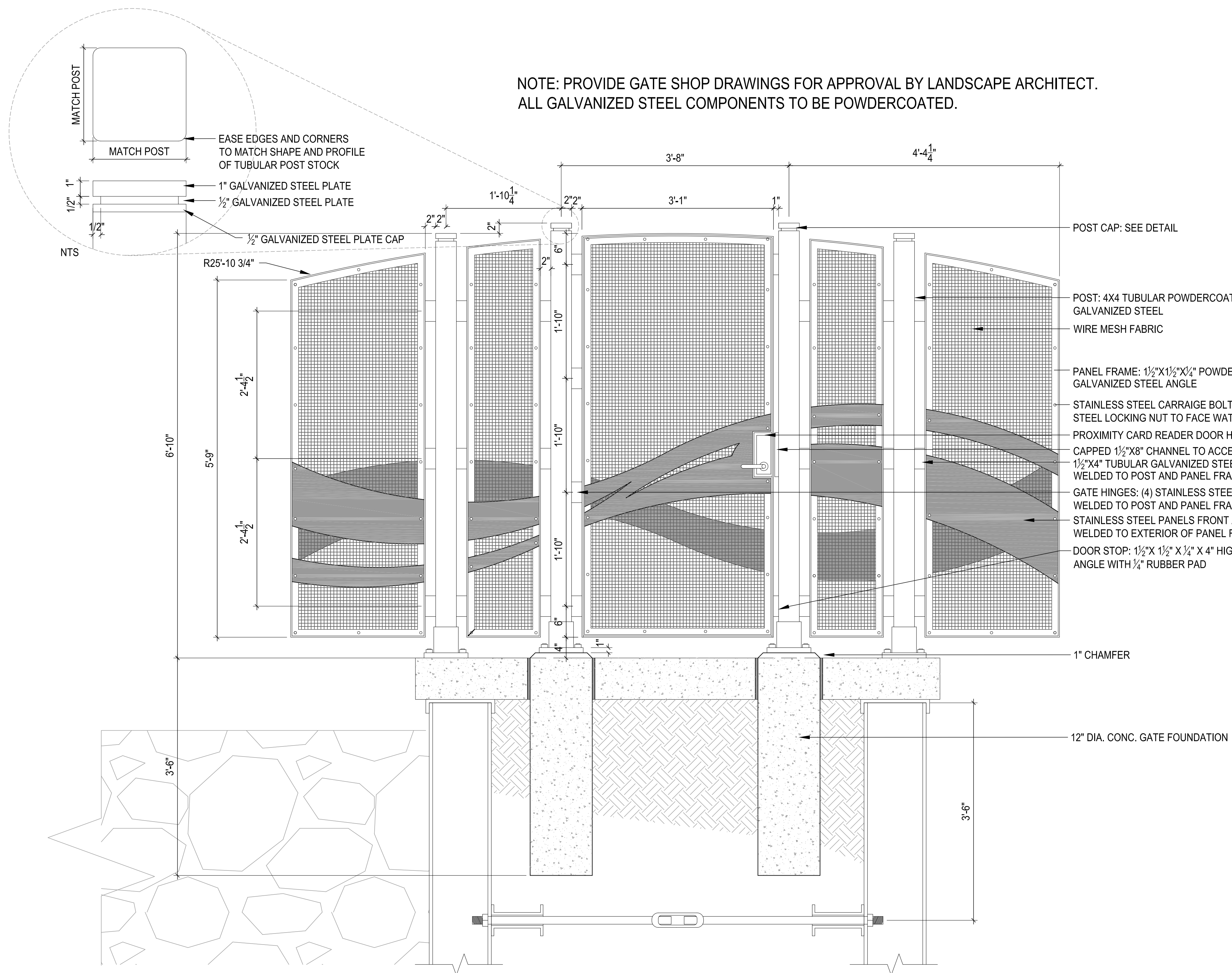
DT-all E plans



7 ADA COMPLIANT RAILING

SCALE: 1"=1'-0"

DT-GANGWAY RAIL



1 GANGWAY GATE FRAMING ELEVATION

SCALE: 1"=1'-0"

DT-Gate Elevation

NOTE: PROVIDE GATE SHOP DRAWINGS FOR APPROVAL BY LANDSCAPE ARCHITECT. ALL GALVANIZED STEEL COMPONENTS TO BE POWDERCOATED.

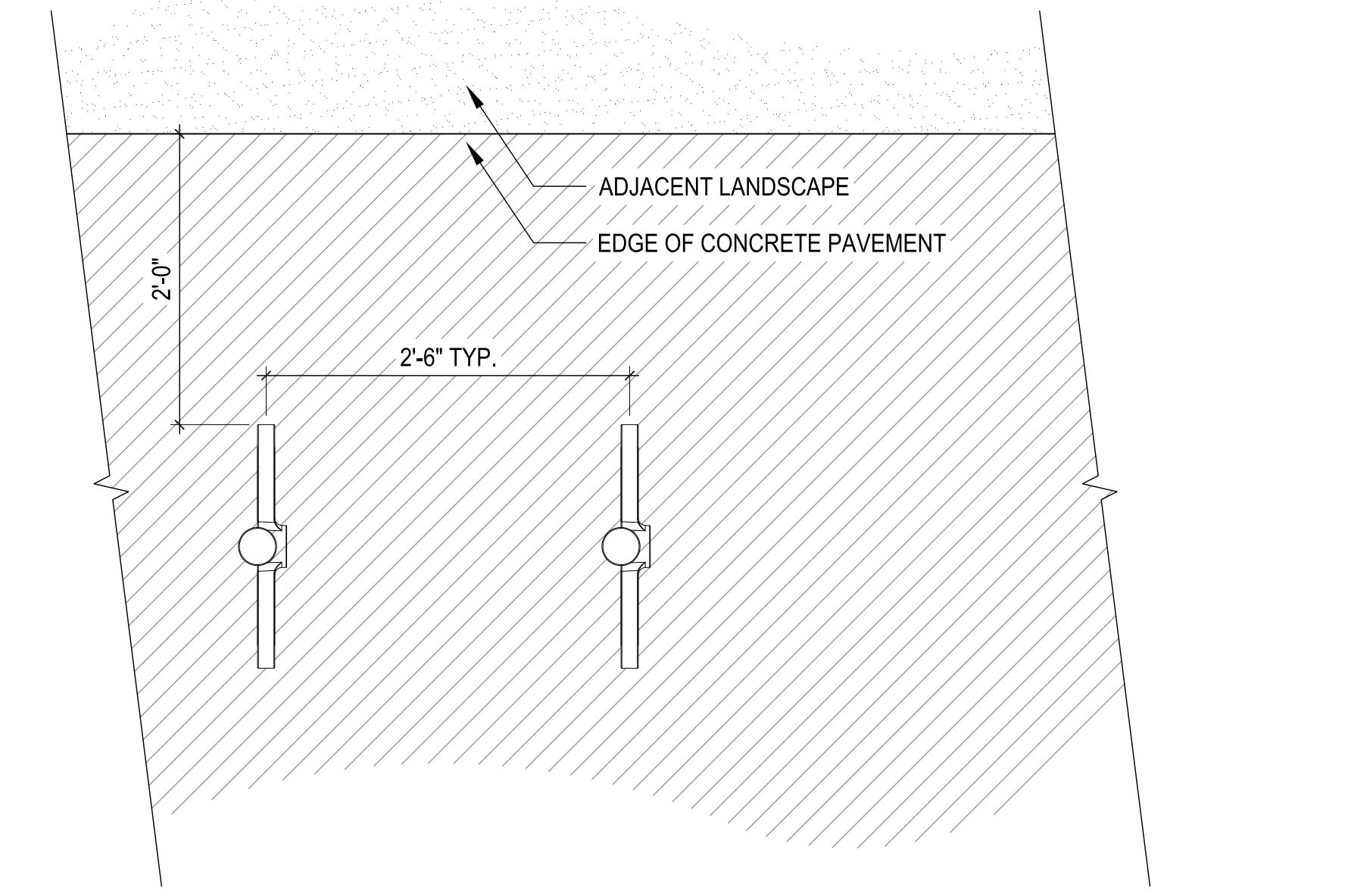
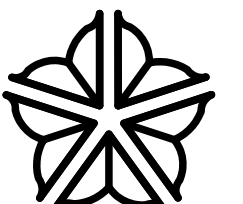
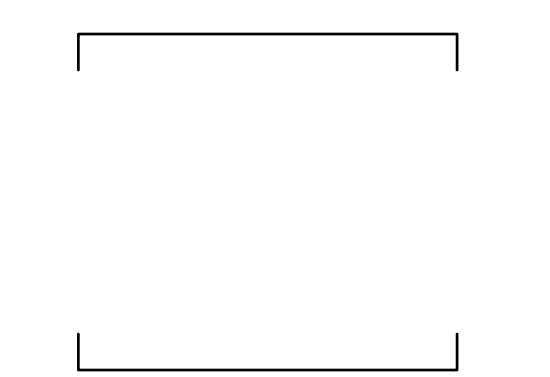


NO.	DATE	REVISION

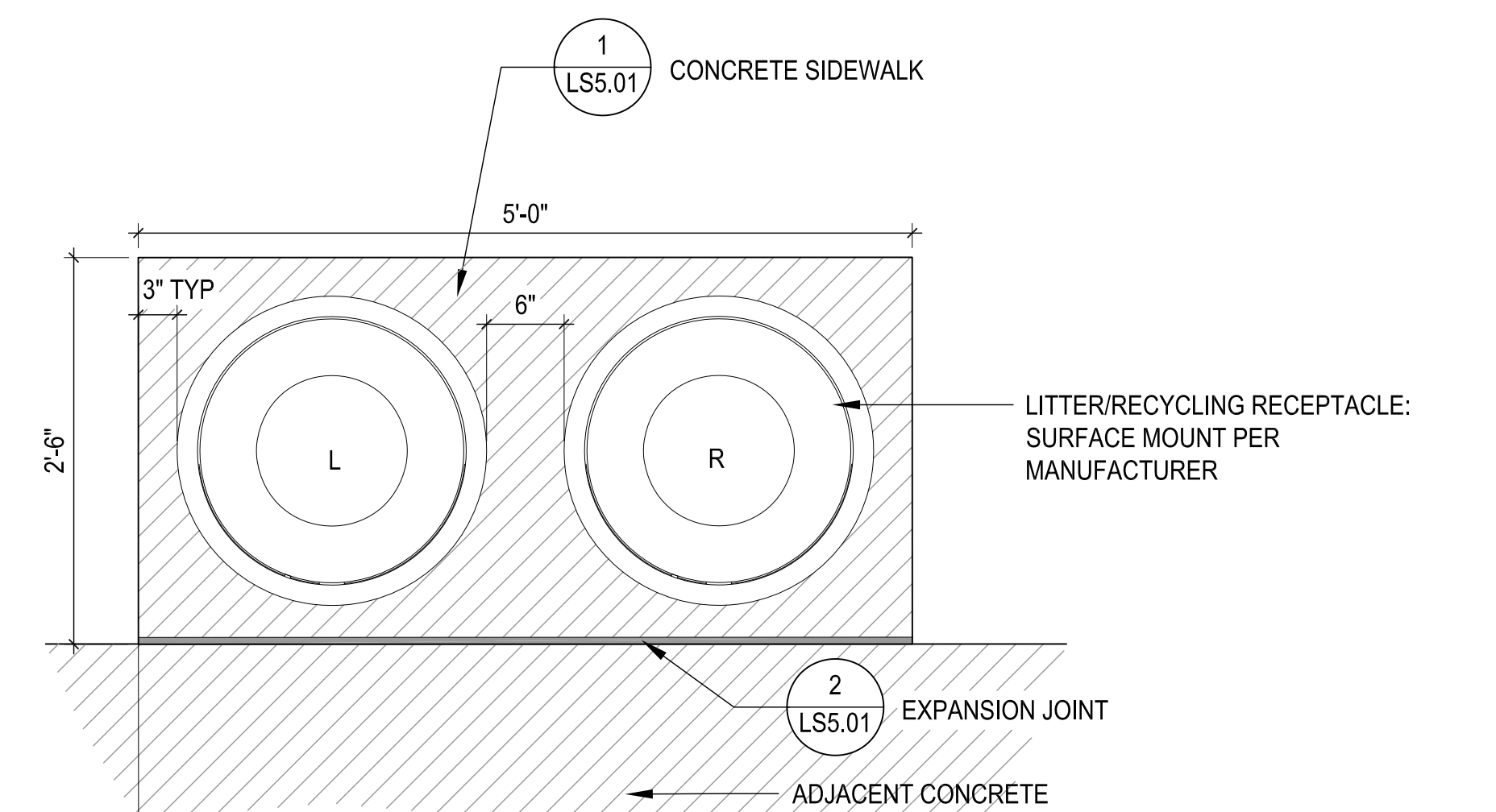
ISSUED FOR
BID

DRAWING TITLE
HARDSCAPE DETAILS

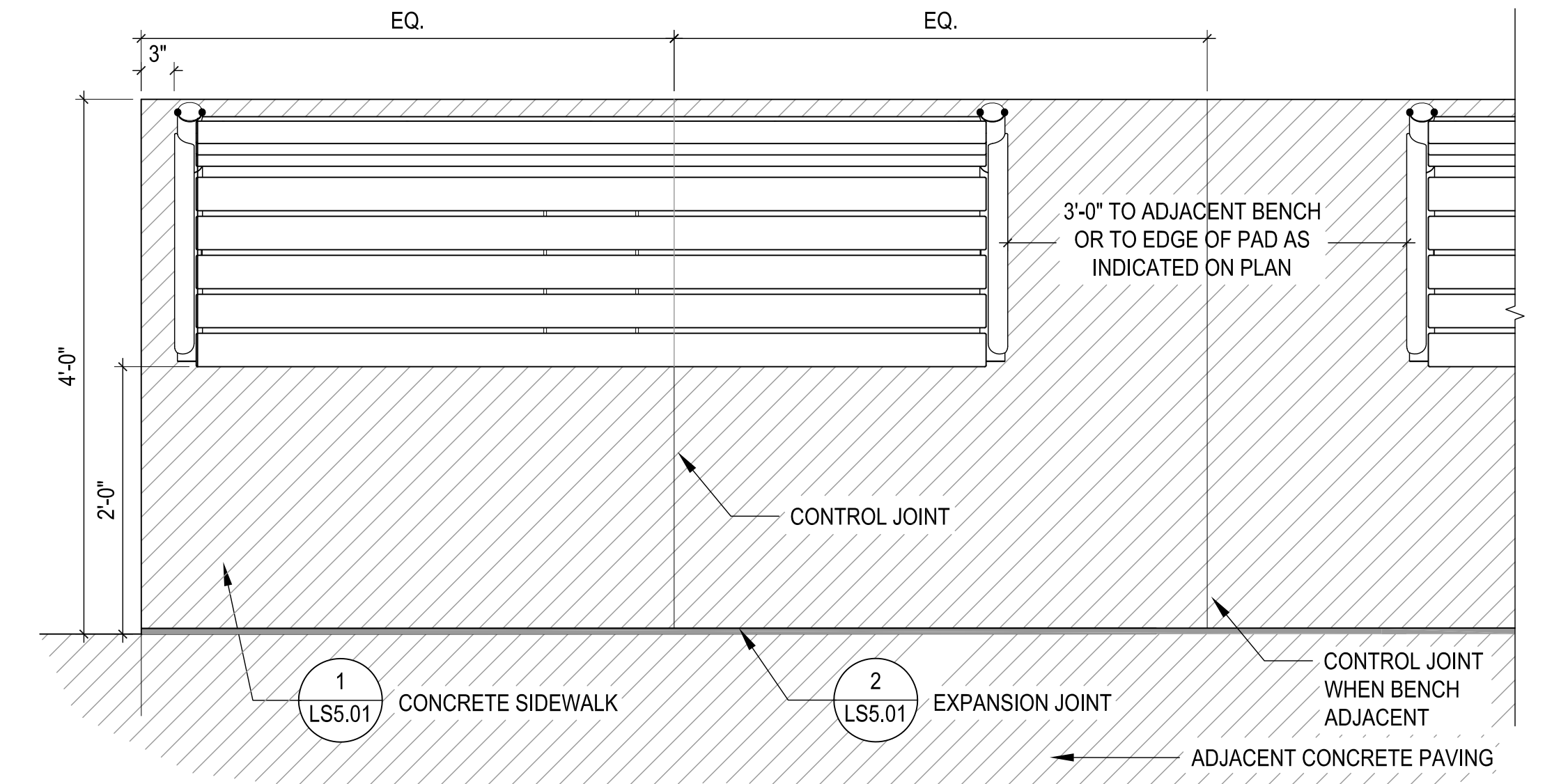
DATE: JULY 22, 2013
SCALE: VARIES
DESIGNED BY:
DRAWN BY:
REVIEWED BY:
PROJECT NUMBER: 210660
DRAWING NUMBER:



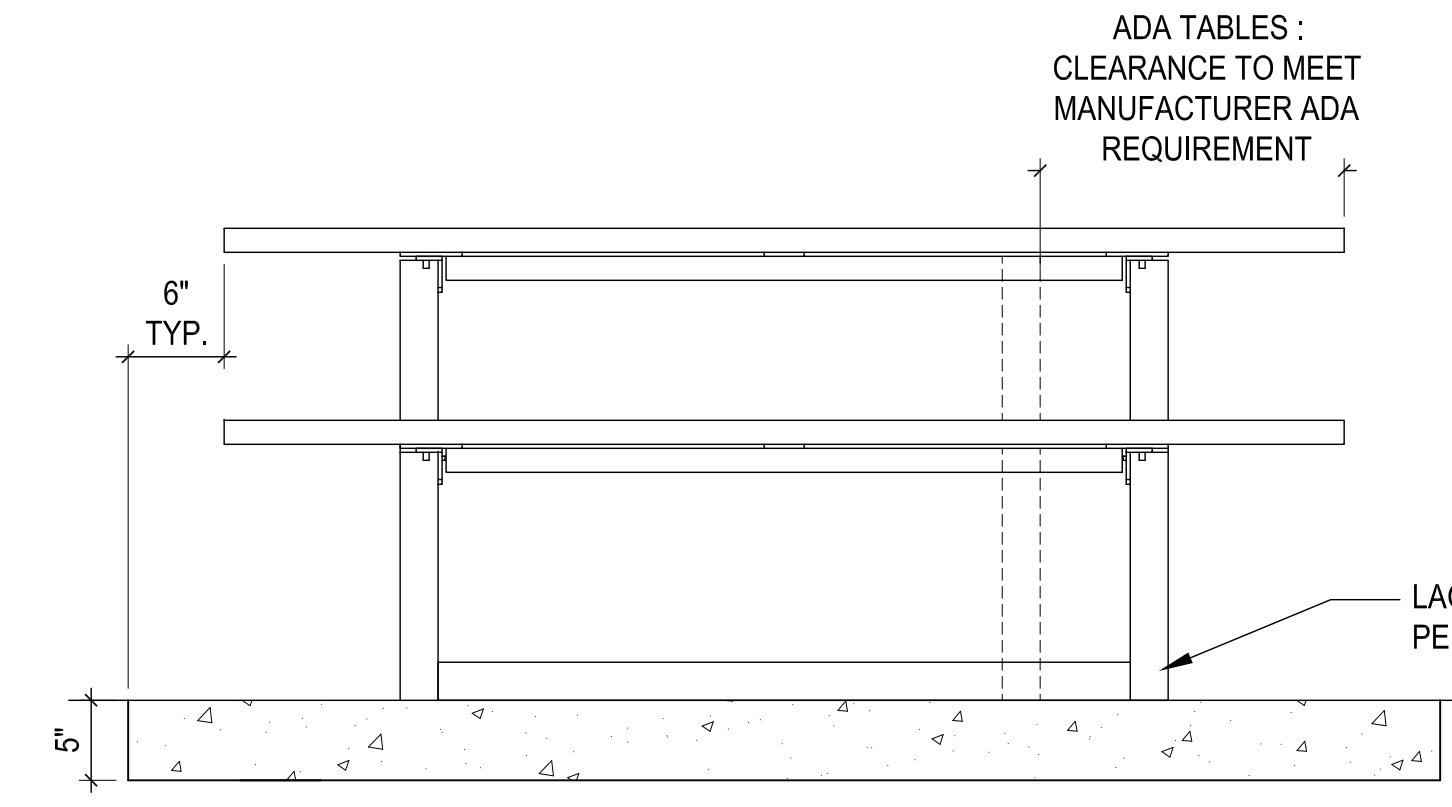
3 BIKE RACK SETTING PLAN
SCALE: 1"=1'-0"
DT-MAG BIKE RACK



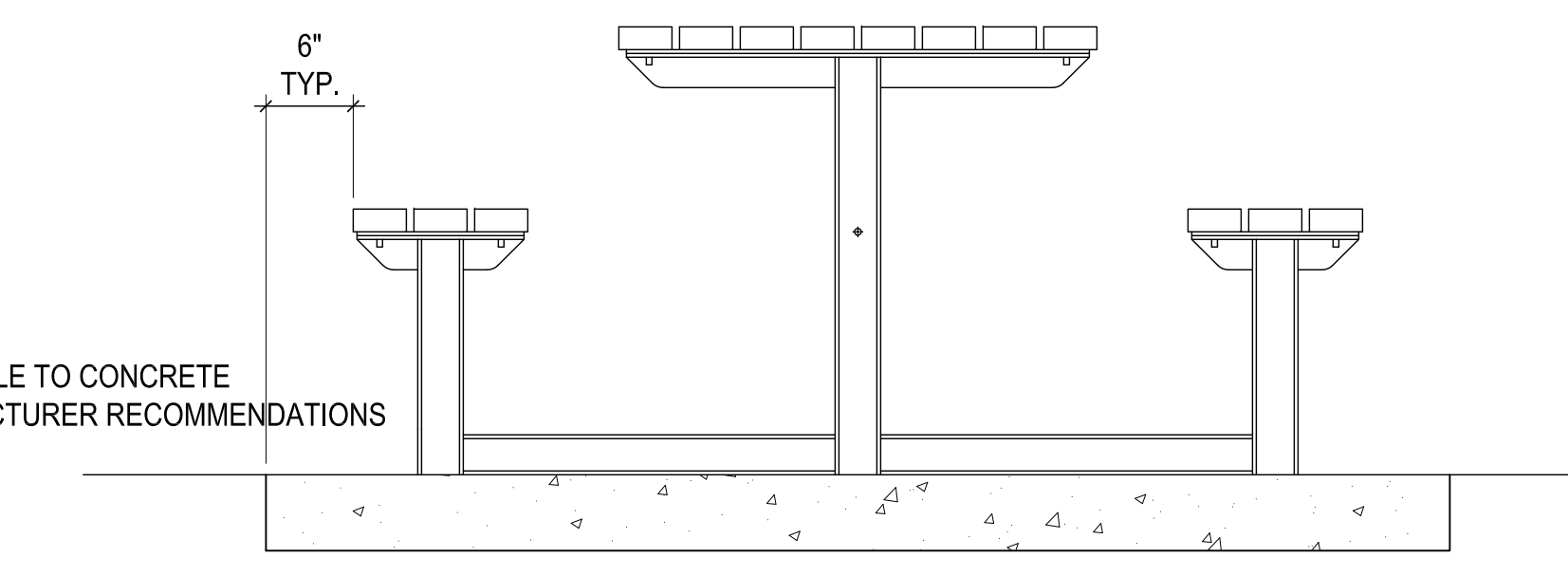
2 LITTER / RECYCLING RECEPTACLE PAD PLAN
SCALE: 1"=1'-0"
DT-LITTER PAD



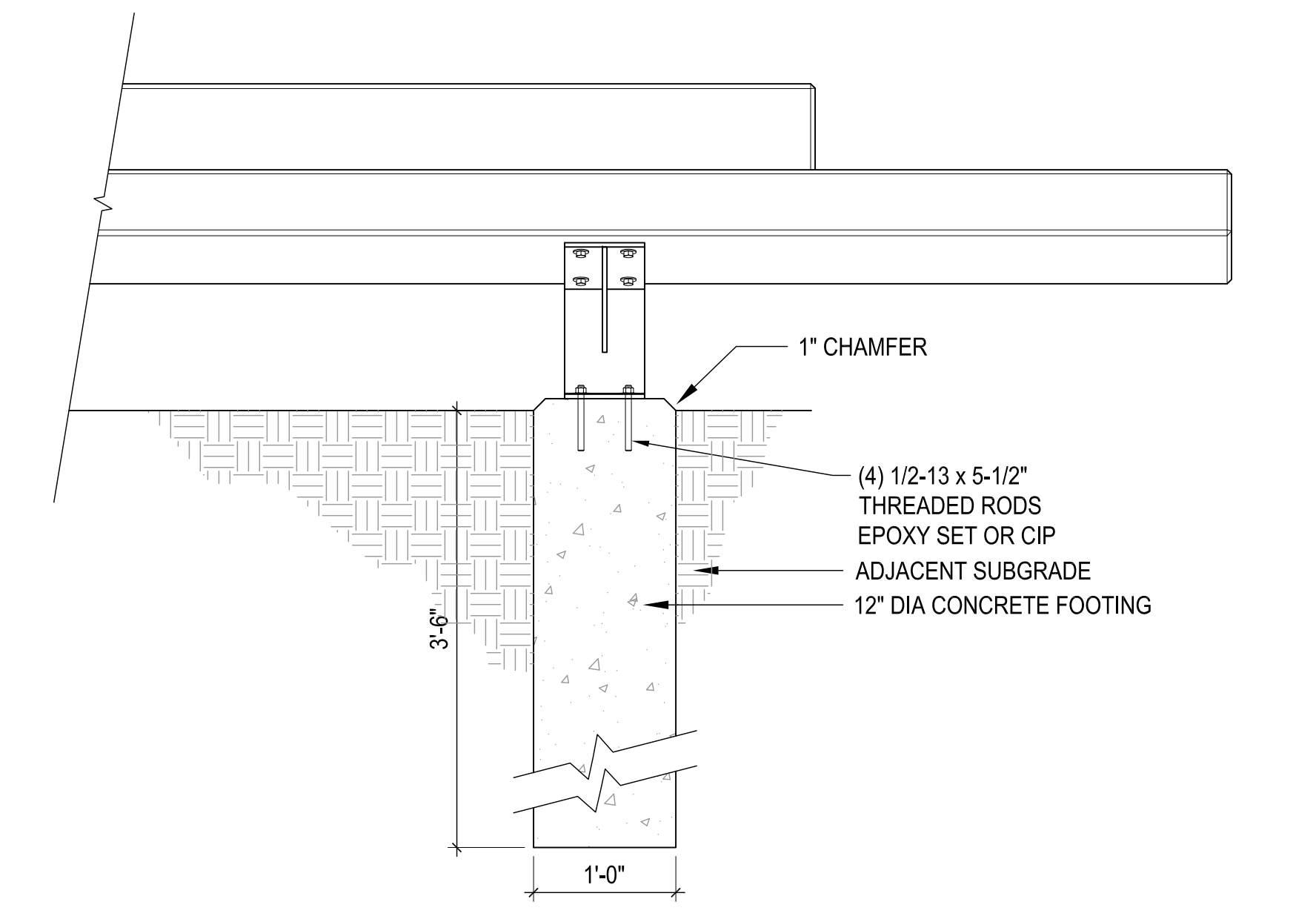
1 BENCH TYPE 'A' PAD LAYOUT PLAN
SCALE: 1"=1'-0"
DT-BENCH PAD



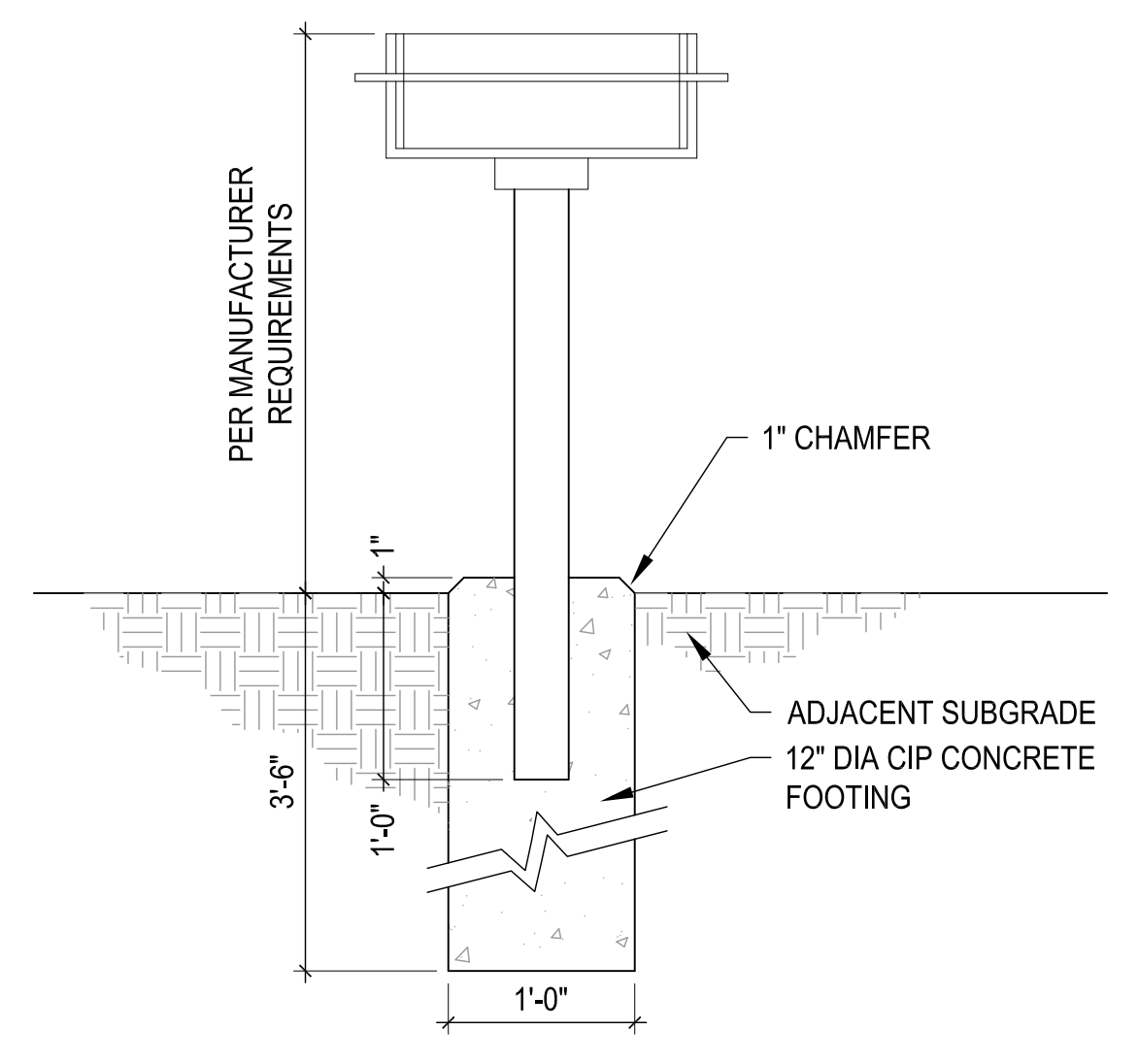
ELEVATION



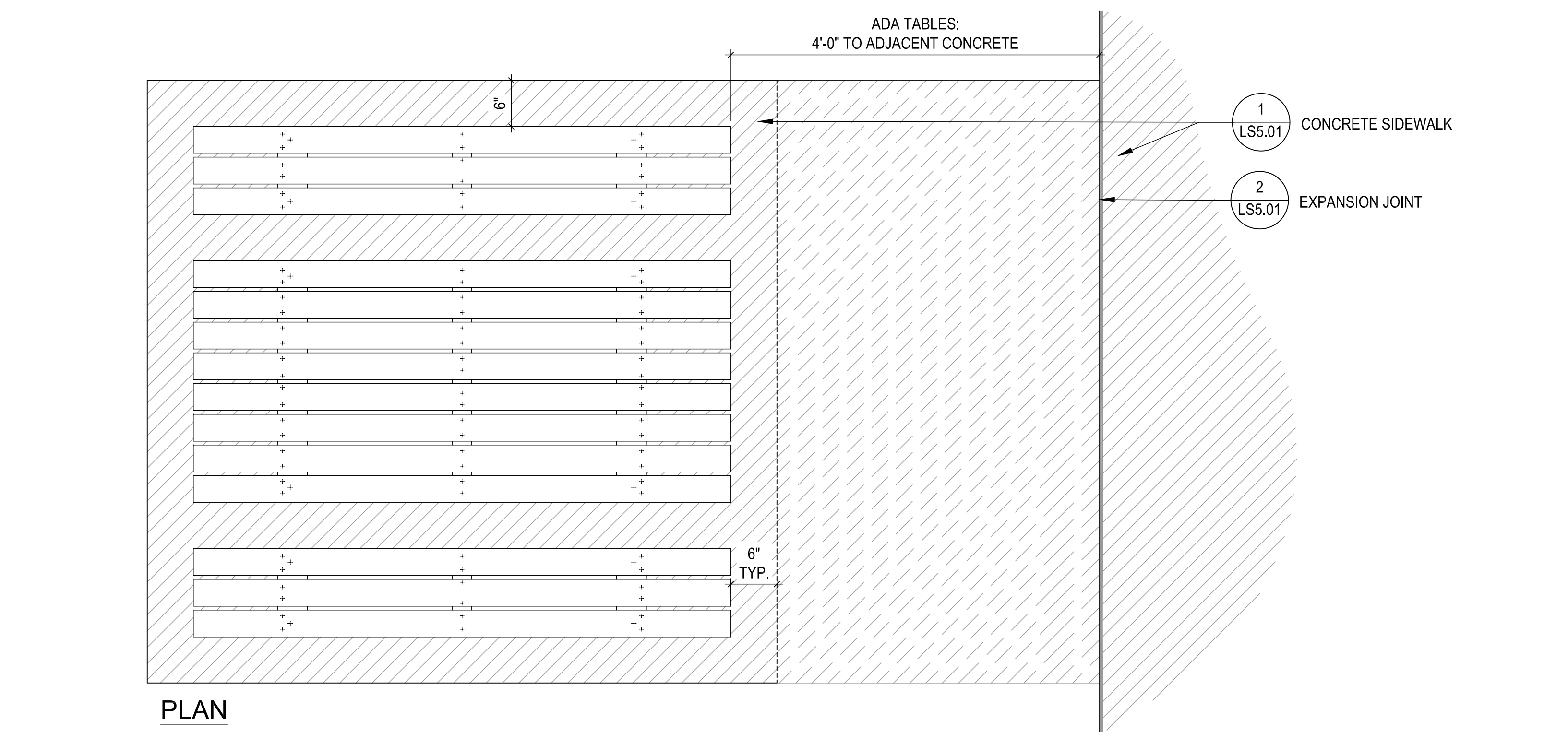
ELEVATION



6 SCULPTURAL BENCH TYPE 'B' FOOTING
SCALE: 1"=1'-0"
DT-SCULPTURAL BENCH ELEV



5 GRILL
SCALE: 1"=1'-0"
DT-Grill



4 PICNIC TABLE
SCALE: 1"=1'-0"
DT-PICNIC TABLE PAD

NO.	DATE	REVISION

ISSUED FOR
BID

DRAWING TITLE
**HARDSCAPE
DETAILS**

DATE: JULY 22, 2013
SCALE: VARIES
DESIGNED BY:
DRAWN BY:
REVIEWED BY:
PROJECT NUMBER: 210660
DRAWING NUMBER:

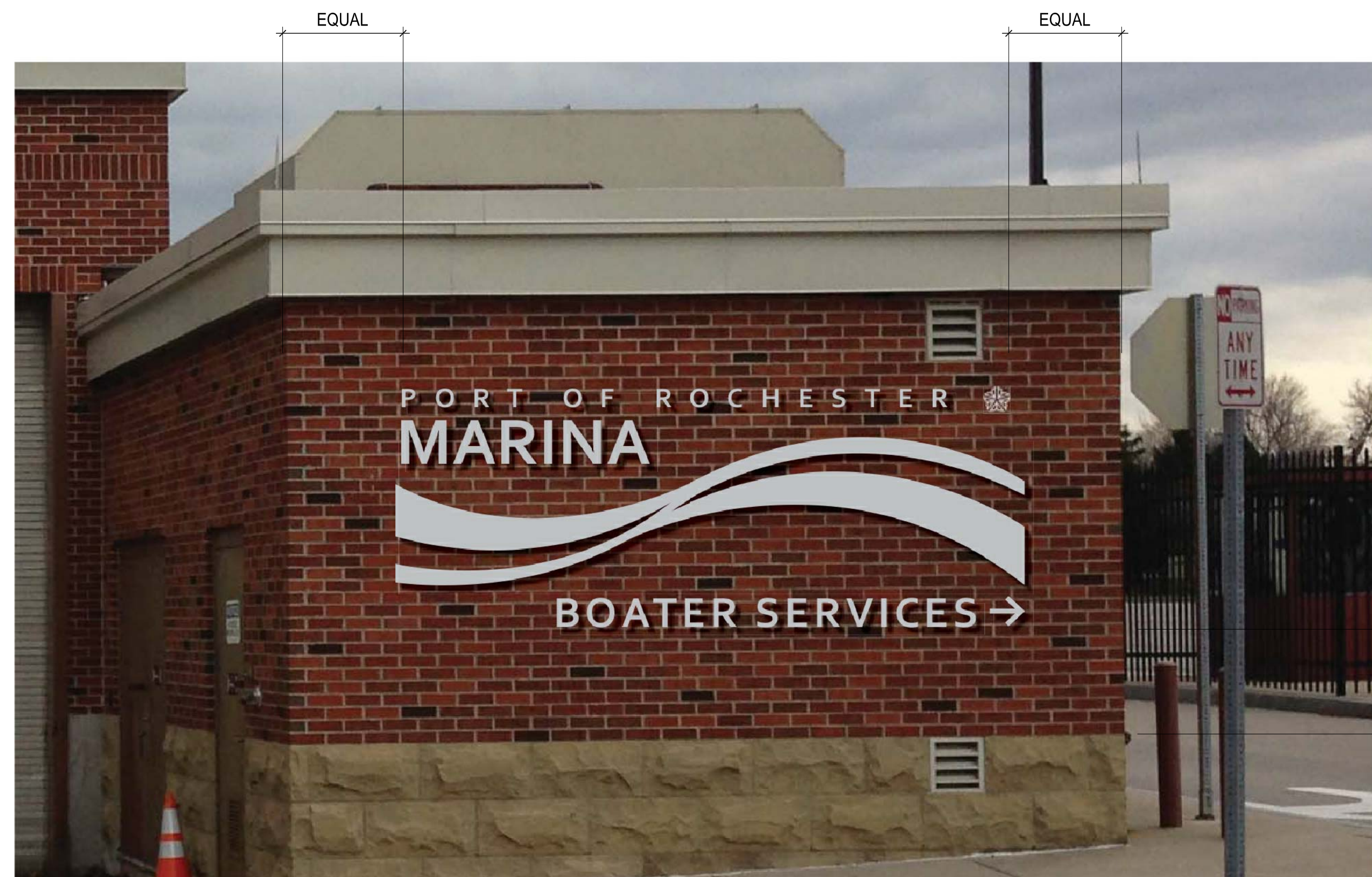


IMAGE TO SHOW DESIGN INTENT ONLY

1'-10"
FROM FIRST COURSE
OF BRICK TO BOTTOM
OF SIGN

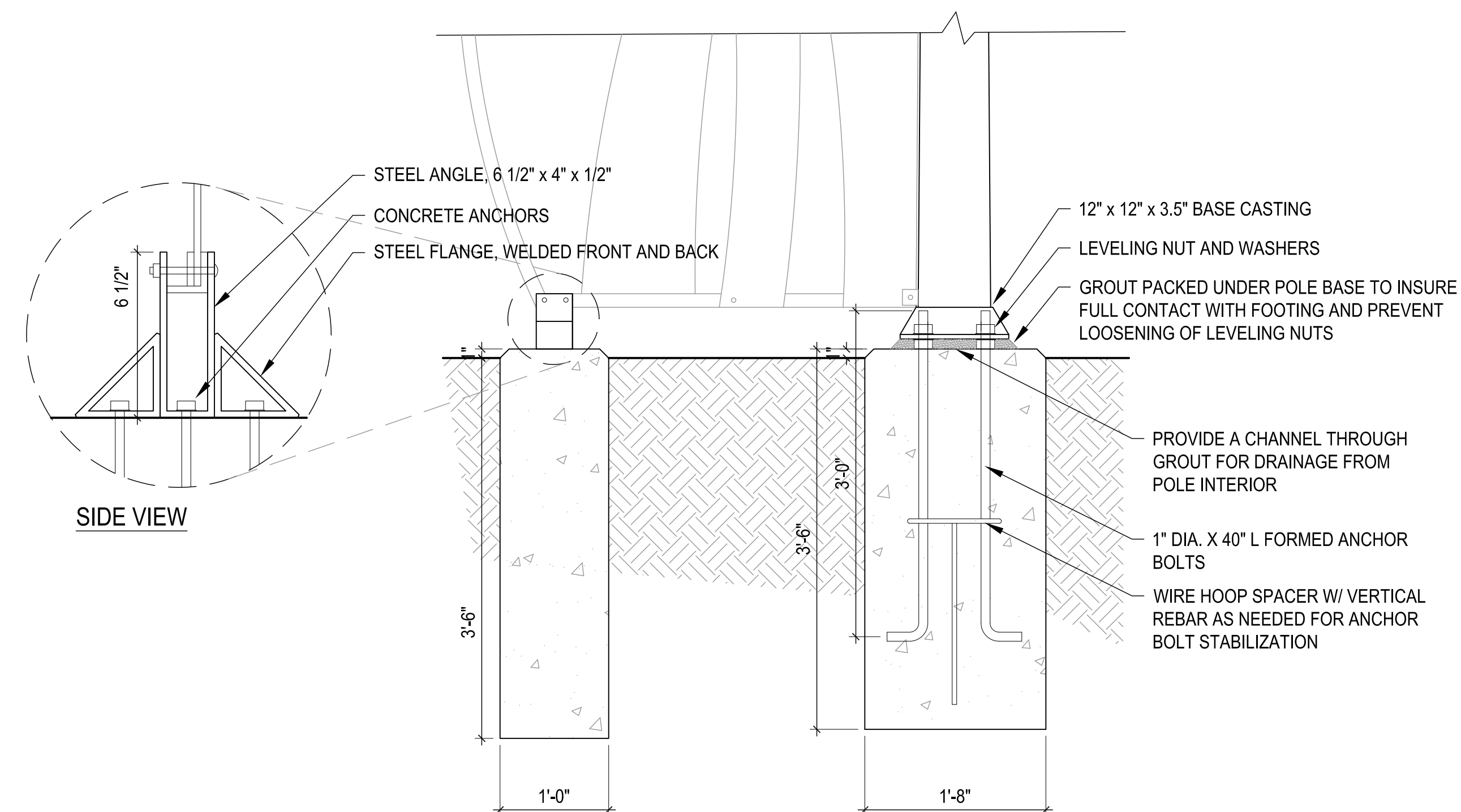


NOTE: PROVIDE SIGN SHOP DRAWINGS FOR APPROVAL BY LANDSCAPE ARCHITECT.

3 WALL MOUNTED ENTRY SIGN

SCALE: 1"=1'-0"

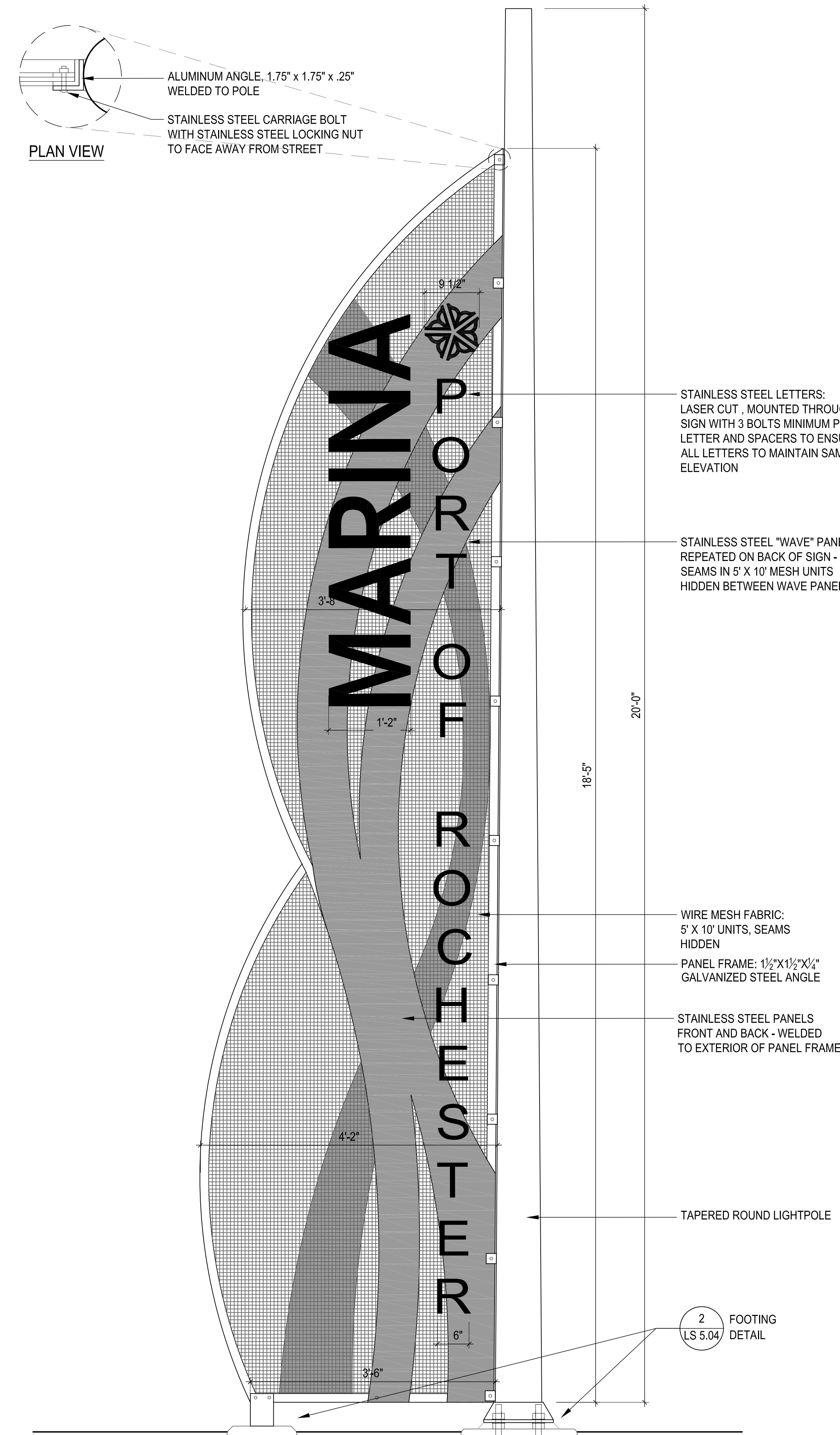
DT-Vert Entry Sign



2 VERTICAL ENTRY SIGN FOUNDATION

SCALE: 1"=1'-0"

DT-ENTRY SIGN FOUNDATION



NOTES: PROVIDE SIGN SHOP DRAWINGS FOR APPROVAL BY LANDSCAPE ARCHITECT.
ALL GALVANIZED STEEL COMPONENTS TO BE POWDERCOATED.
WIRE MESH, PANEL FRAME, AND DECORATIVE STEEL PANELS TO MATCH MATERIAL
AND CONNECTION DETAIL OF GANGWAY GATES.

1 VERTICAL ENTRY SIGN

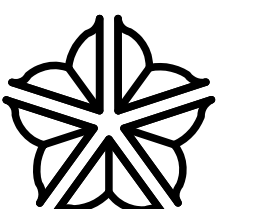
SCALE: 1"=1'-0"

DT-Vert Entry Sign



PROJECT/CLIENT

**PORT OF ROCHESTER
MARINA DEVELOPMENT
PROJECT**
ROCHESTER, NY



City of Rochester

NO.	DATE	REVISION
--	--	--
--	--	--
--	--	--
--	--	--
--	--	--
--	--	--
--	--	--

It is a violation of New York Executive Law Article 161 (encl. 1700) for any person, unless acting under the direction of a licensed architect, professional engineer, or land surveyor to alter or fabricate any view of land from the real or virtual world of an architect, engineer, or land surveyor to affect the ability without engineer, or land surveyor approval to the true and correct "whereas" shown to the signature and date of such alteration, and a specific recitation of the alteration.

COPYRIGHT © 2013 LABELLA ASSOCIATES, P.C.

ISSUED FOR

BID

DRAWING TITLE

**HARDWARE
DETAILS**

DATE: JULY 22, 2013

SCALE: VARIES

DESIGNED BY:

DRAWN BY:

REVIEWED BY:

PROJECT NUMBER: 210660

DRAWING NUMBER

LS 5.04