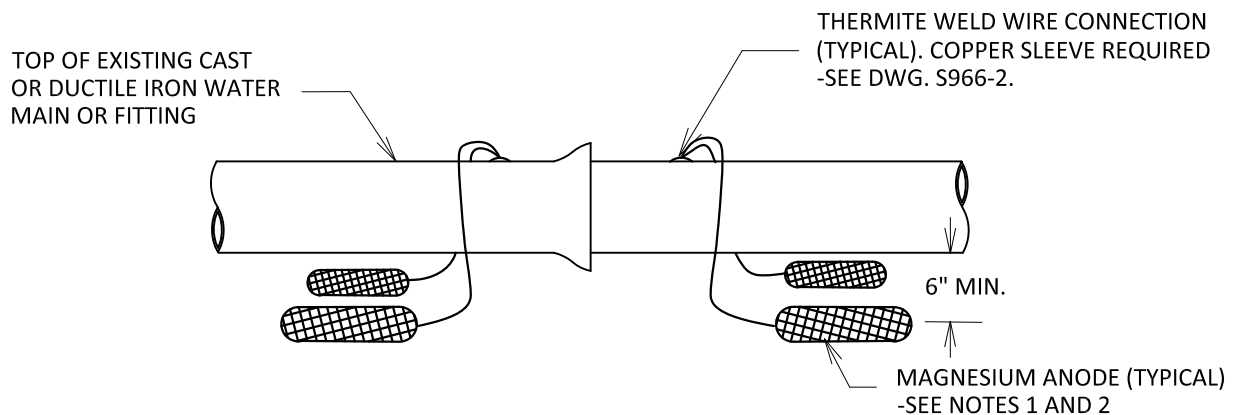


PLAN



ELEVATION

NOTES:

1. USE HIGH POTENTIAL MAGNESIUM ANODE IN PREPACKAGED CLOTH BAG WITH BACKFILL. BARE WEIGHT OF ANODE INGOT (EXCLUDING BACKFILL) AND NUMBER OF ANODES AS NOTED ON PLANS OR AS DIRECTED BY PROJECT MANAGER.
2. ANODE IS TO BE PLACED IN TRENCH, WITH ANODE CENTERLINE 6 INCHES MINIMUM BELOW BOTTOM OF MAIN AND 2 FEET MINIMUM FROM SIDE WALL OF MAIN. ANODE TO BE SURROUNDED WITH NATIVE BACKFILL.

CITY OF ROCHESTER	
ANODE AT EXISTING DUCTILE/CAST IRON PIPE JOINT (DOUBLE ANODES)	
ISSUED	11-03-14
REVISED	
NON-STANDARD DWG.NO.S966-8	