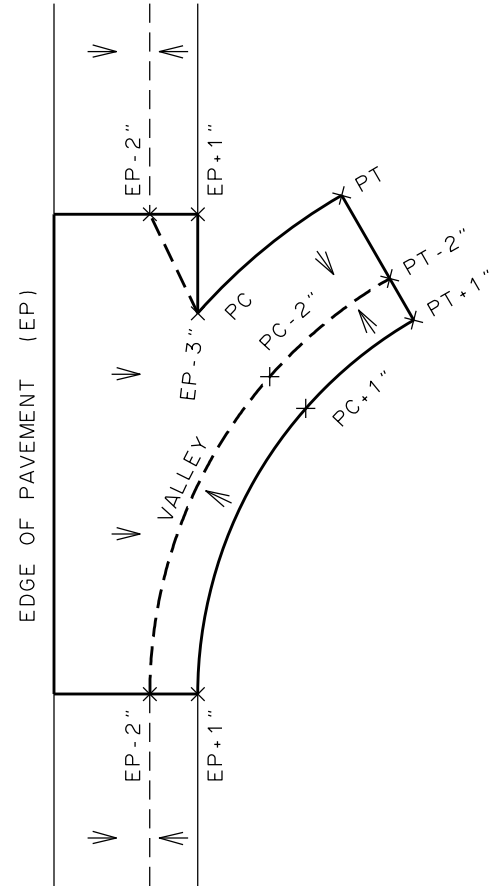


**PLAN**



**ELEVATIONS**

**NOTES:**

1. WHEN CONSTRUCTING FLARED GUTTER SECTION INTO EXISTING GUTTER, START AND END FLARED GUTTER SECTION AT NEAREST EXISTING JOINTS.
2. WARP GUTTER VALLEY AND SIDE SLOPES AROUND RADIUS TO ENSURE THAT ALL STORM WATER DRAINAGE FLOWS AROUND INTO RADIUS AND INTO DRAINAGE SWALE.
3. FAR END OF FLARED GUTTER SECTION TO END AT AND MEET TOP OF SLOPE. GRADE SURROUNDING SURFACE TO BLEND INTO AND MEET TOP OF GUTTER SECTION.

<b>CITY OF ROCHESTER</b>		
<b>FLARED CONCRETE GUTTER</b>		
<b>ISSUED</b>	12-1-15	<b>NON-STANDARD</b>
<b>REVISED</b>		<b>DWG.NO.S624-4</b>