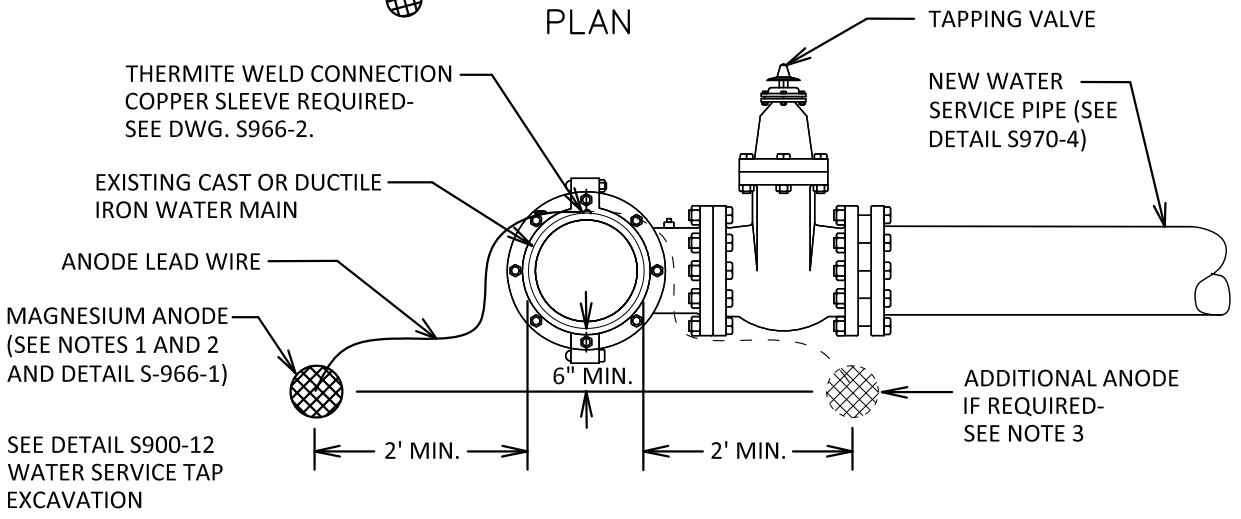


PLAN



ELEVATION

NOTES:

1. USE HIGH POTENTIAL MAGNESIUM ANODE IN PREPACKAGED CLOTH BAG WITH BACKFILL. BARE WEIGHT OF ANODE INGOT (EXCLUDING BACKFILL) AND NUMBER OF ANODES AS NOTED ON PLANS OR AS DIRECTED BY PROJECT MANAGER.
2. ANODE IS TO BE PLACED IN TRENCH, WITH ANODE CENTERLINE 6 INCHES MINIMUM BELOW BOTTOM OF MAIN AND 2 FEET MINIMUM FROM SIDE WALL OF MAIN. ANODE TO BE SURROUNDED WITH NATIVE BACKFILL.
3. WHEN TWO ANODES ARE REQUIRED AT NEW WATER SERVICE, THE SECOND ANODE SHALL BE LOCATED ON OPPOSITE SIDE OF THE TAPPING SLEEVE AND VALVE.

CITY OF ROCHESTER		
<b>ANODE AT TAPPING SLEEVE AND VALVE ON EXISTING CAST/ DUCTILE IRON WATER MAIN</b>		
ISSUED	7-7-16	NON-STANDARD DWG.NO.S966-9
REVISED		